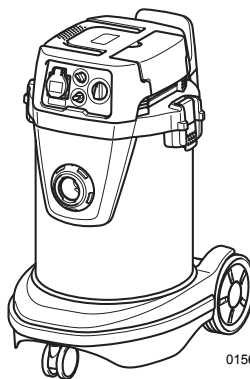
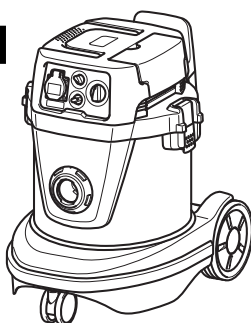
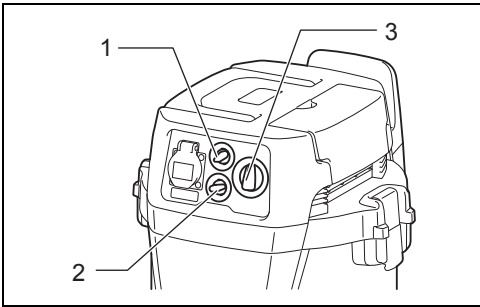




GB	Vacuum Cleaner	Instruction manual
F	Aspirateur	Manuel d'instructions
D	Absauggerät	Betriebsanleitung
I	Aspiratore	Istruzioni per l'uso
NL	Stofzuiger	Gebruiksaanwijzing
E	Aspiradora	Manual de instrucciones
P	Aspirador de Pó	Manual de instruções
DK	Støvsuger	Brugsanvisning
GR	Ηλεκτρική σκούπα	Οδηγίες χρήσης
TR	Elektrik Süpürgesi	Kullanım kılavuzu

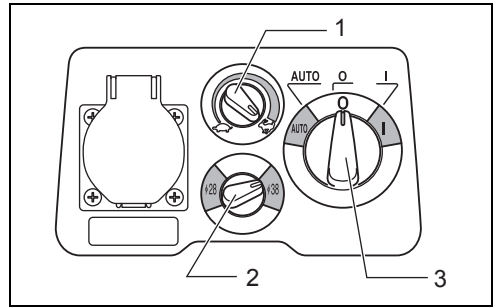
VC2211M
VC3211M





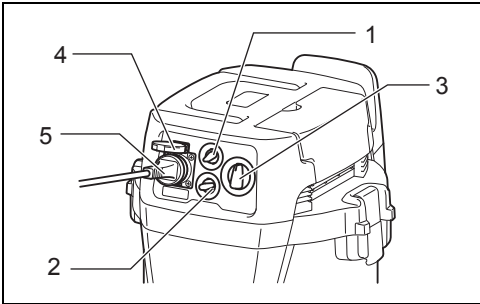
1

013369



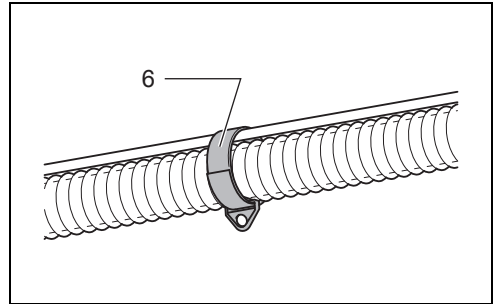
2

013478



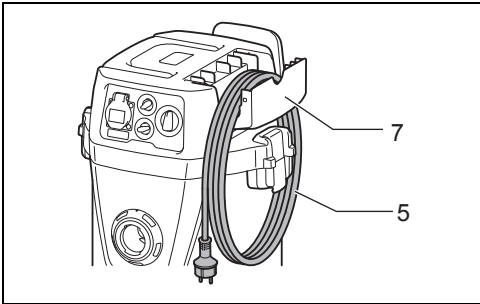
3

013371



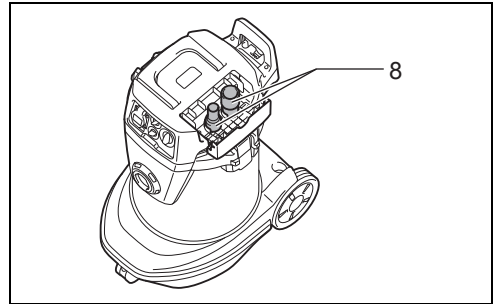
4

013479



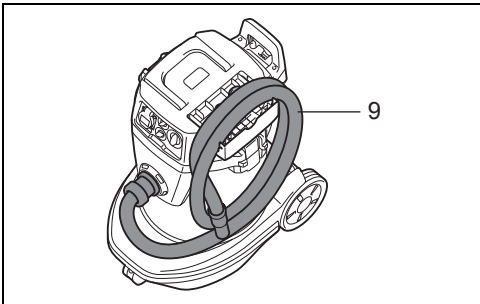
5

013461



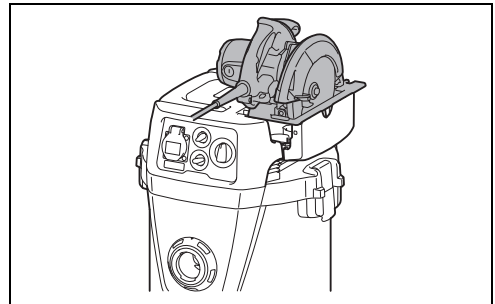
6

013373



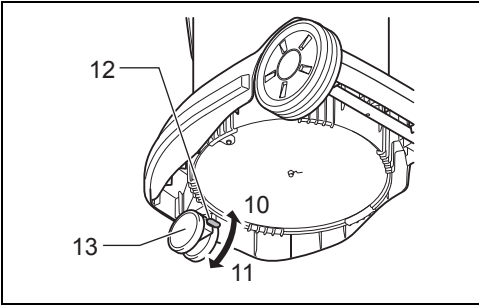
7

013480



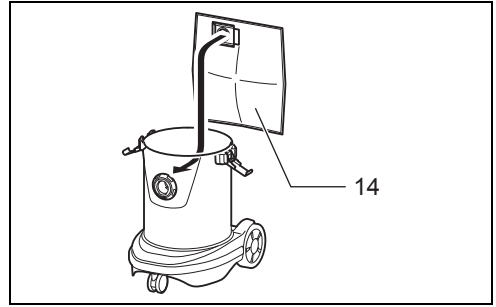
8

013481



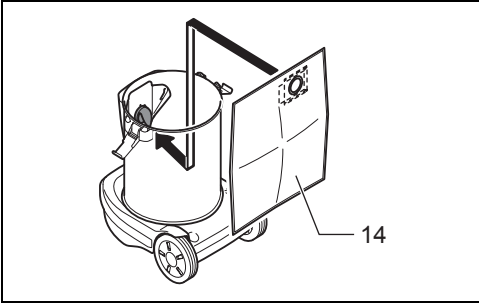
9

013482



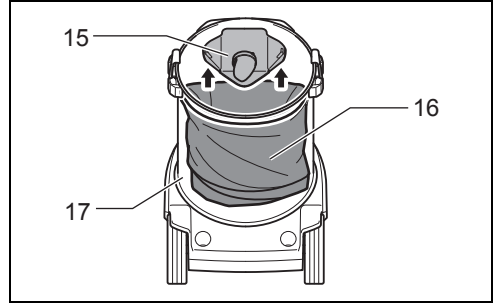
10

013377



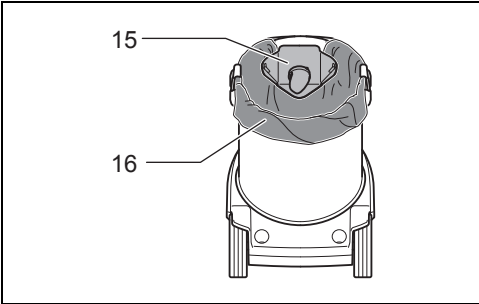
11

013378



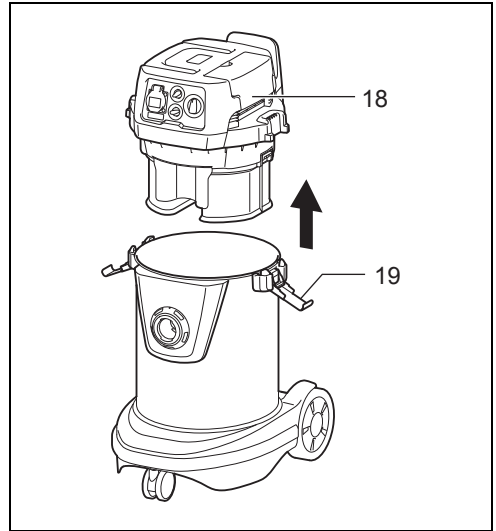
12

013383



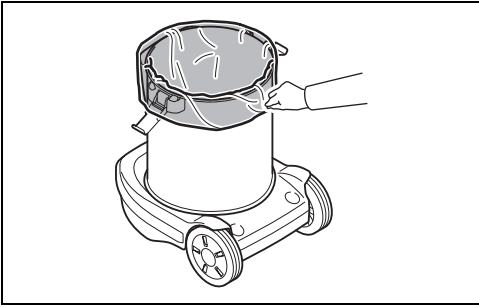
13

013384



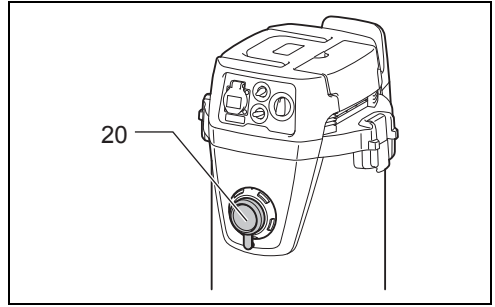
14

013385



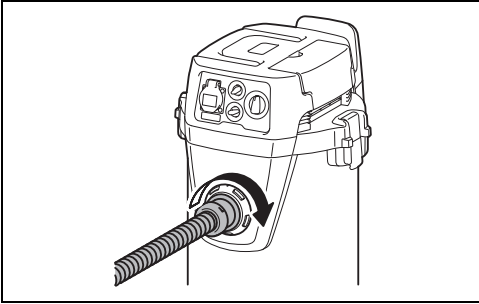
15

013483



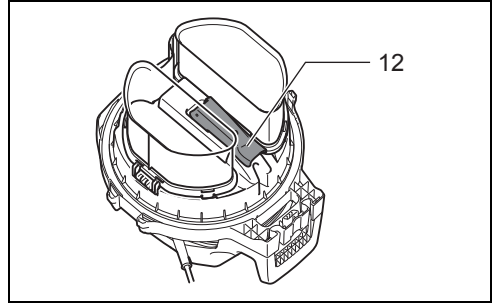
16

013487



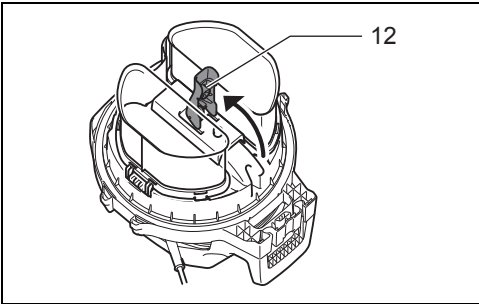
17

013379



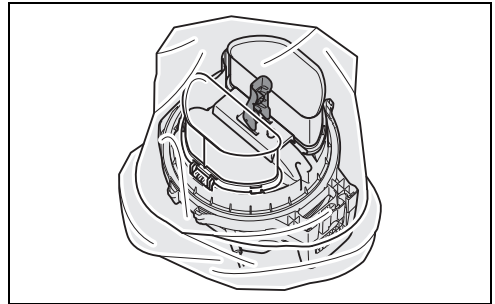
18

013389



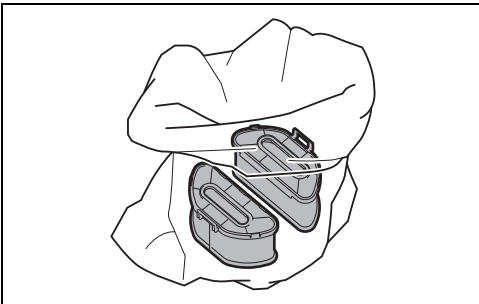
19

013390



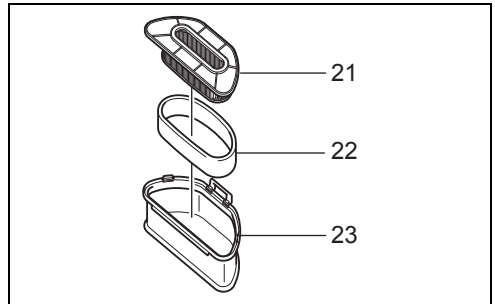
20

013391



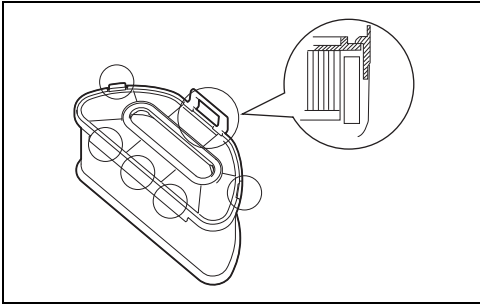
21

013392



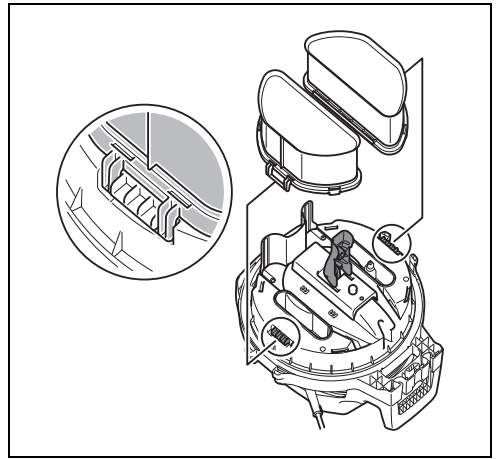
22

013485



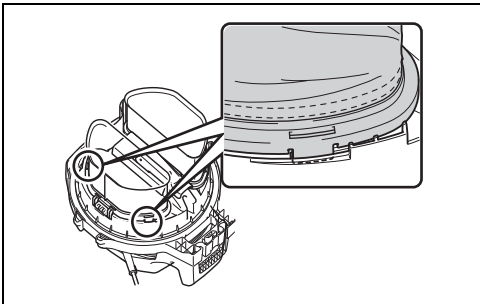
23

013837



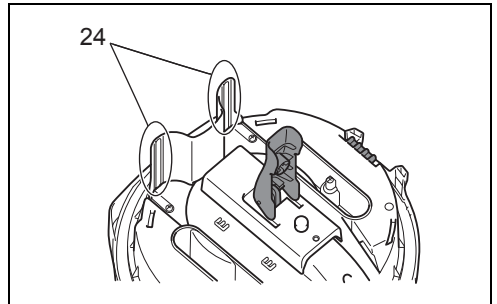
24

013395



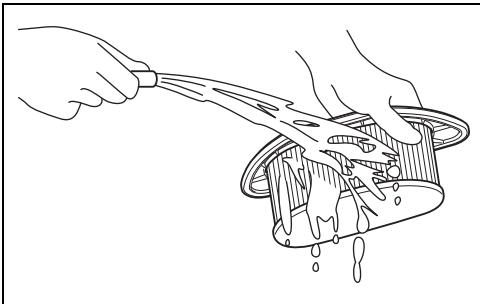
25

014948



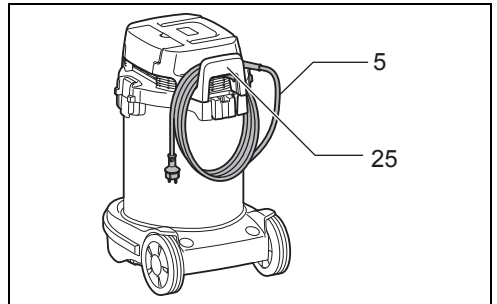
26

013464



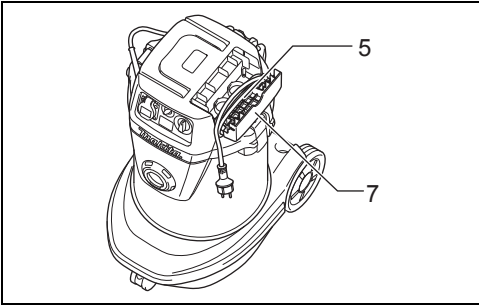
27

013484



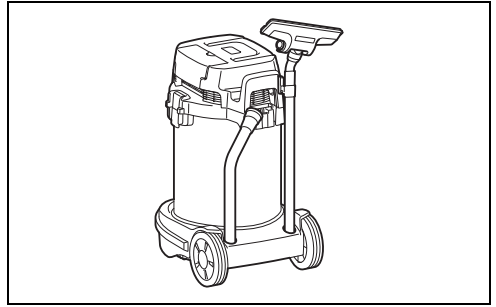
28

013380



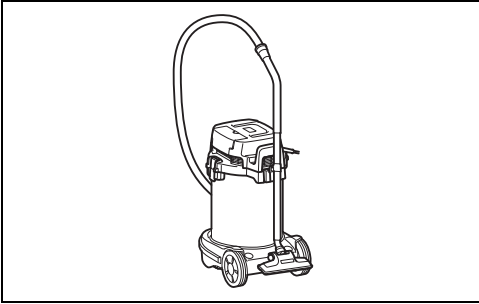
29

011634



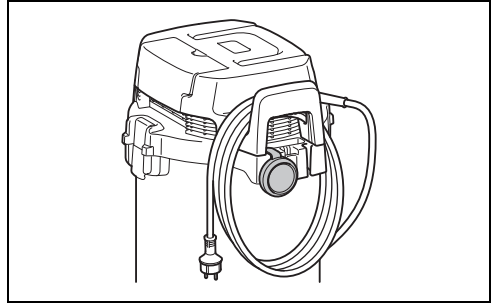
30

013381



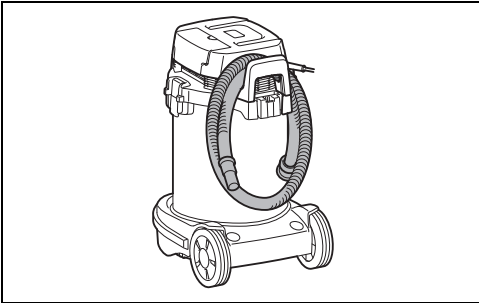
31

013382



32

013486



33

013374

ENGLISH (Original instructions)

Explanation of general view

- | | | |
|---------------------------------|----------------------|-------------------|
| 1. Suction force adjusting knob | 10. FREE position | 19. Hook |
| 2. Hose diameter selection dial | 11. LOCK position | 20. Cap |
| 3. Switch lever | 12. Stopper lever | 21. Powder filter |
| 4. Outlet cap | 13. Caster | 22. Damper |
| 5. Power supply cord | 14. Filter bag | 23. Prefilter |
| 6. Hose band | 15. Holder plate | 24. Level sensors |
| 7. Base hook | 16. Polyethylene bag | 25. Multi-hook |
| 8. Front cuffs | 17. Tank | |
| 9. Hose | 18. Tank cover | |

SPECIFICATIONS

Model		VC2211M/VC3211M			
Countries		EU	Switzerland	UK	
Voltage	Volt	230-240	230-240	110	230-240
Power consumption	Watt	1,050	1,050	1,050	1,050
Connected load for appliance socket	Watt at ⚡ symbol mode	2,400	1,100	600	1,900
	Watt at ⚡ symbol mode	2,600	1,400	850	2,100
Total connected load	Watt	3,450	2,150	1,650	2,950


Model		VC2211M	VC3211M
Volume flow (air)	With ø28 mm X 3.5 m hose	2.0 m³/min	
	With ø38 mm X 2.5 m hose	3.5 m³/min	
Vacuum		22 kPa	
Type of protection		IP X4 (splash-proof)	
Recoverable capacity	Dust	22 L	32 L
	Water	17 L	27 L
Dimensions (L x W x H)		552 mm x 398 mm x 569 mm	552 mm x 398 mm x 685 mm
Net weight		16.3 kg	16.9 kg
Safety class		Class I	

- Due to our continuing program of research and development, the specifications herein are subject to change without notice.
- Specifications may differ from country to country.
- Weight according to EPTA-Procedure 01/2003


Symbols


END112-4


The following show the symbols used for the equipment. Be sure that you understand their meaning before use.

 Read instruction manual.

 Take particular care and attention.

 Warning! The cleaner may contain hazardous dust.

 Never stand on the cleaner.

 Dust class M (medium). The cleaners are capable of picking up dust class L and M. Follow your country's regulations relating to dusts and to occupational health and safety.



..... Only for EU countries

Do not dispose of electric equipment together with household waste material! In observance of the European Directive, on Waste Electric and Electronic Equipment and its implementation in accordance with national law, electric equipment that have reached the end of their life must be collected separately and returned to an environmentally compatible recycling facility.

Intended use

ENE084-1

The tool is intended for collecting both wet and dry dust. The tool is suitable for commercial use, for example in hotels, schools, hospitals, factories, shops, offices and rental businesses.

Power supply

ENF001-1

The tool should be connected only to a power supply of the same voltage as indicated on the nameplate, and can

only be operated on single-phase AC supply. This tool should be grounded while in use to protect the operator from electric shock. Use only three-wire extension cords which have three-prong grounding-type plugs and three-pole receptacles which accept the tool's plug.

VACUUM CLEANER SAFETY WARNINGS

ENB119-5

WARNING! IMPORTANT READ CAREFULLY all safety warnings and all instructions BEFORE USE.

Failure to follow the warnings and instructions may result in electric shock, fire and/or serious injury.

1. **Before use, make sure that this cleaner must be used by people who have been adequately instructed on the use of this cleaner.**
2. **Only use the socket outlet on the cleaner for purposes specified in the instructions.**
3. **If foam/liquid comes out, switch off immediately.**
4. **Clean the water level limiting device regularly and examine it for signs of damage.**
5. **Do not use the cleaner without the filter. Replace a damaged filter immediately.**
6. **USE OF EXTENSION CORD.** When using an extension cord because of the great distance to your power source, try to employ a cord that is sufficiently thick but not too long, or cleaner performance will be adversely affected. For outdoor applications use an extension cord suitable for outdoor use.
7. **VOLTAGE WARNING:** Before connecting the cleaner to a power source (receptacle, outlet, etc.) be sure the voltage supplied is the same as that specified on the nameplate of the cleaner. A power source with voltage greater than that specified for the cleaner can result in **SERIOUS INJURY** to the operator as well as damage to the cleaner. If in doubt, **DO NOT PLUG IN THE CLEANER.** Using a power source with voltage less than the nameplate rating is harmful to the motor.
8. **AVOID UNINTENTIONAL STARTING.** Be sure switch is OFF when plugging in.
9. **Do not attempt to pick up flammable materials, fire works, lighted cigarettes, hot ashes, hot metal chips, sharp materials such as razors, needles, broken glass or the like.**
10. **NEVER USE THE CLEANER IN THE VICINITY OF GASOLINE, GAS, PAINT, ADHESIVES OR OTHER HIGHLY EXPLOSIVE SUBSTANCES.** The switch emits sparks when turned ON and OFF. And so does the motor commutator during operation. A dangerous explosion may result.
11. **Never vacuum up toxic, carcinogenic, combustible or other hazardous materials such as asbestos, arsenic, barium, beryllium, lead, pesticides, or other health endangering materials.**
12. **Never use the cleaner outdoors in the rain.**
13. **Do not use close to heat sources (stoves, etc.).**
14. **GUARD AGAINST ELECTRIC SHOCK.** Prevent body contact with grounded surfaces. For example; pipes, radiators, ranges, refrigerator enclosures.
15. **Do not block cooling vents.** These vents permit cooling of the motor. Blockage should be carefully avoided otherwise the motor will burn out from lack of ventilation.
16. **Keep proper footing and balance at all times.**
17. **DO NOT ABUSE CORD.** Never carry the cleaner by cord or yank it to disconnect from receptacle. Keep cord away from heat, oil, and sharp edges. Inspect cleaner cords periodically and if damaged, have repaired by authorized service facility. Inspect extension cords periodically and replace if damaged.
18. **Do not fold, tug or step on the hose.**
19. **Stop the cleaner immediately if you notice poor performance or anything abnormal during operation.**
20. **DISCONNECT THE CLEANER.** When not in use, before servicing, and when changing accessories.
21. **Clean and service the cleaner immediately after each use to keep it in tiptop operating condition.**
22. **MAINTAIN THE CLEANER WITH CARE.** Keep the cleaner clean for better and safer performance. Follow instructions for changing accessories. Keep handles dry, clean, and free from oil and grease.
23. **CHECK DAMAGED PARTS.** Before further use of the cleaner, a guard or other part that is damaged should be carefully checked to determine that it will operate properly and perform its intended function. Check for alignment of moving parts, binding of moving parts, breakage of parts, mounting, and any other conditions that may affect its operation. A guard or other part that is damaged should be properly repaired or replaced by an authorized service center unless otherwise indicated elsewhere in this instruction manual. Have defective switches replaced by authorized service center. Don't use the cleaner if switch does not turn it on and off.
24. **REPLACEMENT PARTS.** When servicing, use only identical replacement parts.
25. **STORE IDLE CLEANER.** When not in use, the cleaner should be stored indoors.
26. **Be kind to your cleaner.** Rough handling can cause breakage of even the most sturdily built cleaner.
27. **Do not attempt to clean the exterior or interior with benzine, thinner or cleaning chemicals.** Cracks and discoloration may be caused.
28. **Do not use cleaner in an enclosed space where flammable, explosive or toxic vapors are given off by oil-base paint, paint-thinner, gasoline, some mothproofing substances, etc., or in areas where flammable dust is present.**
29. **Do not leave the cleaner cord lying on the floor after you have finished a cleaning job.** It can become a tripping hazard or may cause damage to the cleaner.
30. **Do not operate this or any tool while under the influence of drugs or alcohol.**
31. **As a basic rule of safety, use safety goggles or safety glasses with side shields.**
32. **Use a dust mask in dusty work conditions.**
33. **This machine is not intended for use by persons including children with reduced physical, sensory**

or mental capabilities, or lack of experience and knowledge.

34. **Young children should be supervised to ensure that they do not play with the cleaner.**
35. **Never handle plug cord or cleaner with wet hands.**
36. **Use extreme caution when cleaning on stairs.**
37. **Do not use the cleaner as a stool or work bench. The machine may fall down and may result in personal injury.**

KEEP FOR FUTURE REFERENCE

WARNING:

DO NOT let comfort or familiarity with product (gained from repeated use) replace strict adherence to safety rules for the subject product. MISUSE or failure to follow the safety rules stated in this instruction manual may cause serious personal injury.

FUNCTIONAL DESCRIPTION

WARNING:

- **Before plugging the cleaner, always make sure that the cleaner is switched off.** Plugging the cleaner with the switch on may cause an unexpected start resulting in serious personal injury.

Switch action (Fig. 1)

To start the cleaner, rotate the switch lever to the "I" side. To stop it, rotate the switch lever to the "O" side. (Fig. 2) The suction force can be adjusted according to your work need.

Suction force can be increased by turning the suction force adjusting knob from the ⇐ symbol to the ⇨ symbol. Also, set the hose diameter selection dial to the hose's diameter that you are going to use.

Hose diameter selection dial

Turn the dial direction in accordance with the hose you use.

NOTE:

Do not set the dial at the middle. Always turn either side according to the hose diameter.

Warning beep

There are two types of beeping sound. One is short beeps, and the other is long beep.

When the air flow speed falls under 20 m/s, the cleaner emits short warning beeps for safety reasons. When it sounds, check the hose diameter selection dial or if the suction force is not too low. If the beeps keep sounding, perform maintenance or ask your local service center. When the tank is filled with liquid, the cleaner emits long warning beep.

When the tank is full and the beep sounds, switch off the cleaner and empty the tank.

Connecting electric power tools (Fig. 3 & 2)

WARNING:

- Make sure that both the cleaner and the electric power tool are switched off before connecting or

disconnecting. Connecting the power tool to the cleaner with both of them being switched on may cause unexpected and sudden start resulting serious personal injury.

- Never connect an electric power tool with an input power exceeding that specified in the "SPECIFICATIONS" to the socket of the cleaner by turning the suction force adjusting knob. Connecting the electric power tool exceeding the specified input power may cause overheat and damage to the cleaner.
- When connecting a grounded tool, insert a plug with a grounding plate to the socket of the cleaner.

The cleaner can be connected to an electric power tool up to input power shown in the "SPECIFICATIONS".

1. To connect an electric power tool, open the outlet cap and insert the power tool plug into the socket of the cleaner.
2. When connecting an electric power tool, secure the power supply cord and hose by the hose bands at regular distance. It prevents the hose from entangling the power supply cord. (Fig. 4)
3. Rotate the switch lever to the "AUTO" position.
4. Move the suction force adjusting knob to the position suitable for the input power of the electric power tool you intend to use.
5. Switching on and off of the connected electric power tool simultaneously brings the cleaner switching on and off action. The cleaner still works for a few seconds even after the electric power tool is switched off.
6. After use, disconnect the power tool from the socket of cleaner.
7. Switch off the cleaner after use.

Auto-suction stop during suction operation

WARNING:

- **Do not pick up foam or soapy liquid.** Picking up foam or soapy liquid can cause foam to come out of air exit before the auto-suction stop works. Continuing to using in this condition may cause an electric shock and breakage of the cleaner.

The cleaner has a mechanism that prevents water from immersing into the motor when picking up more than a certain amount of water.

When the tank is full with liquid, the cleaner emits long warning beep. Switch off the cleaner and empty the tank when this beep sounds.

Usage of base hook

CAUTION:

- **Be careful not to pinch your fingers when closing the base hook.** Failure to do so may cause personal injury.

NOTICE:

- Do not apply an excessive force on the base hook. The excessive force on the base hook may damage the base hook. Close the base hook when not in use. Opening the base hook allows the following usage.

1. Storing the power supply cord (Fig. 5)

NOTICE:

- Do not use the cleaner or a connected electric power tool with a power supply cord wound on the base hook. Using the cleaner or the connected electric power tool with power supply cord may cause damage the power supply cord.

2. Storing the front cuffs (Fig. 6)

Front cuffs 22, 24 and 38 can be stored (up to two at a time).

3. Storing the hose (Fig. 7)

4. Resting a reasonable size of electric power tool for the base hook, such as circular saw. (Fig. 8)

Locking or unlocking the caster (Fig. 9)

To lock the caster with a stopper, lower the stopper lever and the caster no longer will rotate. To release the caster from the locked position, raise the stopper lever.

Locking the caster is convenient when storing the cleaner, stopping the work on the way and keeping the cleaner still.

To operate the stopper, move it by hand.

NOTICE:

- When moving the cleaner, make sure that the caster is unlocked. Moving the cleaner with the caster in the locked position may cause damage to the caster.

Cap

There is a cap on the mounting port. The cap prevents the vacuumed dust from getting out from the cleaner.

ASSEMBLY

⚠ WARNING:

- This unit may contain hazardous dust. When replacing filter elements and dust bag, always use a P2-respirator.
- Always be sure that the cleaner is switched off and unplugged before carrying out any work on the cleaner.
- Never switch on until all filters and dust bag are completely installed and the volume flow control is tested.

Installing and disposing the filter bag

⚠ WARNING:

- Always use a P2-respirator.
- When using the filter bag, also use the air filter together that is preinstalled on the tool. Failure to use the air filter together may cause unusual noise and heat, resulting in a fire.

⚠ CAUTION:

- Never pick up water or other liquids or wet dusts when using the filter bag. Picking up such things may cause the filter bag breakage.

1. Extend the filter bag. (Fig. 10)
2. Align the filter bag opening with the dust suction opening of the cleaner. (Fig. 11)
3. Insert the cardboard of the filter bag onto the tool so that it is positioned at the end beyond the detent protrusion.

When disposing the filter bag, pull the edge on the filter bag's mouth so that the mouth is closed by a paper.

Installing polyethylene bag

Cleaner can also be used without polyethylene bag. However, using polyethylene bag is easier to empty the tank without letting your hands dirty.

Spread the polyethylene bag in the tank. Insert it between the holder plate and the tank, and pull it to the hose inlet. (Fig. 12)

Spread the bag around the top of the tank. (Fig. 13) Hook up the other side of the bag around the top of the tank so that the prefilter hook can catch and hold it securely.

NOTE:

- A polyethylene bag available on the market can be used. The 0.04 mm or thicker one is recommended.
- Too much dust will tear the bag easily, so do not collect the dust more than the half of the bag capacity.

Disposing the polyethylene bag

⚠ WARNING:

- Always make sure that the cleaner is switched off and unplugged before emptying the polyethylene bag. Failure to do so may cause an electric shock and serious personal injury.

⚠ CAUTION:

- Do not apply a great impact on the air filter and tank. Applying a great impact may cause deformation and damage to air filter and tank.
- Empty the tank at least once a day although this depends on picked-up dust volume in the tank. Or, the suction force will weaken and the motor may be broken.
- Do not grab the hook when emptying the tank. Grabbing the hook may cause the hook to break.

Unhook and lift up the tank cover. (Fig. 14)

Take the polyethylene bag out of the tank. (Fig. 15)

NOTE:

- Take the polyethylene bag carefully out of the tank so that the polyethylene bag cannot be caught and torn by the protrusion inside the tank when emptying it.
- Empty the polyethylene bag before it becomes full. Too much dust in the tank may cause the polyethylene bag to be torn.

Connecting a hose

⚠ CAUTION:

- Never force the hose for bending or stamp it. Never move the cleaner by a hose. Forcing, stamping and pulling the hose may cause a breakage or deformation of the hose.
- When picking up large wastes such as planer carvings, concrete dusts or similar other than small wastes, use the 38 mm inner diameter hose (optional accessory). Using the 28 mm inner diameter hose may cause a hose stuffing and damage.
- Always put the cap on the mounting port whenever you remove the hose from the tool.

Remove the cap from the mounting port. You can place the cap in multi hook while the hose is connected to the tool. (Fig. 16)

Insert the hose onto the mounting port of the tank and turn it clockwise until it locks. (Fig. 17)

OPERATION

WARNING:

- Always use a P2-respirator.

CAUTION:

- If foam or liquid escapes from the tool, switch off immediately. Continuing to using in this condition may cause an electric shock and breakage of the cleaner.

MAINTENANCE

WARNING:

- Always use a P2-respirator during performing maintenance.

CAUTION:

- Always be sure that the tool is switched off and unplugged before attempting to perform inspection or maintenance.
- Never use gasoline, benzine, thinner, alcohol or the like. Discoloration, deformation or cracks may result.
- A technical inspection, including inspection of filters, air tightness, and control mechanism, must be performed at least once a year by an instructed person.
- During maintenance, all contaminated items which cannot be satisfactorily cleaned must be disposed. Such items must be disposed of in impervious bags which accord with your country's regulations.
- After the operation in the hazardous area, the outside of the tool must be decontaminated by vacuum cleaning methods and wiped clean or treated with sealant before you take the tool out of a hazardous area. All the parts of the tool must be regarded as contaminated when removed from the hazardous area, and appropriate action must be taken to prevent dust dispersal.
- Change the air filter when the air filter is clogged with dust or you feel that the cleaner's performance declined.
- Check the filters periodically. If there is a tear on it, replace it immediately.

Removing the air filter

CAUTION:

- Wait for about 5 minutes so that dust in the tank completely settles down.
- Make sure that the tool is unplugged.
- Be careful not to let the dust enter inside the tank cover when removing the air filter.

Unhook the tank cover and remove it carefully. Put it up side down. (Fig. 18)

Unlock the filter hooks by flipping the stopper lever. (Fig. 19)

Cover the air filters with a plastic bag. (Fig. 20)

Remove the air filters from the tank cover carefully and tie the plastic bag firmly. (Fig. 21)

Assembling the air filter

When you get the air filter components separately, assemble them as follows.

Put the prefilter over the powder filter. (Fig. 22)

Make sure that the borders of prefilter and powder filter are set properly. (Fig. 23)

Installing the air filter

Wipe off the seal face.

Set the new air filters and fix them with the filter hooks.

(Fig. 24)

Flip the stopper lever to lock the air filters.

Set the tank cover onto the tank and lock it with hooks.

(Fig. 25)

NOTICE:

- Make sure the hooks on the filters are set at the correct position.

Cleaning the level sensors (Fig. 26)

The level sensors detect liquid when the tank becomes full with liquid. Clean the level sensors with a soft cloth from time to time when changing the air filters.

Cleaning the air filters

Clogged filter causes poor suction performance.

Clean out the filters from time to time.

To remove dust or particles adhering to the filters, remove the prefilter from the air filter. And tap the prefilter several times.

Occasionally wash the powder filter in water, rinse and dry thoroughly in the shade before use. Never wash filters in a washing machine. (Fig. 27)

NOTE:

- Do not rub and scratch the powder filter, the prefilter, or damper with hard objects such as a brush and a paddle.
- The filters are consumable and are recommended to have some spares for them.

Storage of power supply cord (Fig. 28 & 29)

Wind up the power supply cord around the multi-hook or the base hook.

Storage of accessories

NOTE:

- Do not apply an excessive force to the accessories that are held by the pipe holder. Applying an excessive force to these accessories may cause damage to the pipe holder.

Pipe rest can be used to store straight pipe, bent pipe and others by just inserting these accessories. (Fig. 30)

The pipes can be placed into the pipe holder when also stopping using the cleaner on the way for a while.

(Fig. 31)

You can place the cap in multi hook while the hose is connected to the tool. (Fig. 32)

Storage of hose (Fig. 33 & 7)

The hose can be placed on either base hook or multi-hook.

To maintain product SAFETY and RELIABILITY, repairs, any other maintenance or adjustment should be performed by Makita Authorized Service Centers, always using Makita replacement parts.

The technical file in accordance with 2006/42/EC is available from:

Makita, Jan-Baptist Vinkstraat 2, 3070, Belgium

25. 11. 2014



Yasushi Fukaya
Director

Makita, Jan-Baptist Vinkstraat 2, 3070, Belgium

OPTIONAL ACCESSORIES

CAUTION:

- These accessories or attachments are recommended for use with your Makita tool specified in this manual. The use of any other accessories or attachments might present a risk of injury to persons. Only use accessory or attachment for its stated purpose.

If you need any assistance for more details regarding these accessories, ask your local Makita Service Center.

- Hose
- Front cuffs (22, 24, 38)
- Straight pipe
- Corner nozzle
- Round brush
- Powder filter
- Damper
- Prefilter
- Nozzle assembly
- Bent pipe
- Polyethylene bag
- Filter bag
- Hose band
- Belt hook complete
- Cap

NOTE:

- Some items in the list may be included in the tool package as standard accessories. They may differ from country to country.

Noise ENG905-1
The typical A-weighted noise level determined according to EN/IEC60704:

Sound pressure level (L_{pA}): 72.5 dB (A)

Uncertainty (K): 2.5 dB (A)

The noise level under working may exceed 80 dB (A).

Wear ear protection.

Vibration ENG900-1
The vibration total value (tri-axial vector sum) determined according to EN/IEC60335:

The vibration emission value is below 2.5 m/s².

For European countries only ENH038-3
EC Declaration of Conformity

Makita declares that the following Machine(s):

Designation of Machine:

Vacuum Cleaner

Model No./Type: VC2211M, VC3211M

Conforms to the following European Directives:

2006/42/EC

They are manufactured in accordance with the following standard or standardized documents:



EN60335

FRANÇAIS (Instructions d'origine)

Descriptif

- | | | |
|---|----------------------------|----------------------------|
| 1. Bouton de réglage de la puissance d'aspiration | 8. Manchons avant | 17. Réservoir |
| 2. Molette de sélection du diamètre du tuyau | 9. Tuyau | 18. Couvercle du réservoir |
| 3. Levier du commutateur | 10. Position déverrouillée | 19. Crochet |
| 4. Capuchon de sortie | 11. Position verrouillée | 20. Capuchon |
| 5. Cordon d'alimentation | 12. Levier de butée | 21. Filtre à poudre |
| 6. Collier de serrage | 13. Roulette | 22. Humidificateur |
| 7. Crochet de support | 14. Sac-filtre | 23. Préfiltre |
| | 15. Plaque de support | 24. Capteurs de niveau |
| | 16. Sac en polyéthylène | 25. Crochet polyvalent |

SPÉCIFICATIONS

Modèle		VC2211M/VC3211M			
Pays		EU	Suisse	RU	
Tension	Volts	230-240	230-240	110	230-240
Consommation électrique	Watts	1 050	1 050	1 050	1 050
Puissance raccordée pour la prise de l'appareil	Watts en mode 	2 400	1 100	600	1 900
	Watts en mode 	2 600	1 400	850	2 100
Puissance raccordée totale	Watts	3 450	2 150	1 650	2 950






Modèle		VC2211M	VC3211M
Débit du volume (air)	Avec un tuyau de 28 mm de diamètre x 3,5 m de long	2,0 m ³ /min	
	Avec un tuyau de 38 mm de diamètre x 2,5 m de long	3,5 m ³ /min	
Vide		22 kPa	
Type de protection		IP X4 (étanche aux projections)	
Capacité récupérable	Poussière	22 L	32 L
	Eau	17 L	27 L
Dimensions (L x P x H)		552 mm x 398 mm x 569 mm	552 mm x 398 mm x 685 mm
Poids net		16,3 kg	16,9 kg
Niveau de sécurité		Niveau I	

- Étant donné l'évolution constante de notre programme de recherche et de développement, les spécifications contenues dans ce manuel sont sujettes à des modifications sans préavis.
- Les spécifications peuvent varier suivant les pays.
- Poids conforme à la procédure EPTA 01/2003

Symboles

END112-4

Les symboles utilisés pour l'appareil sont indiqués ci-dessous. Assurez-vous d'avoir bien compris leur signification avant d'utiliser l'appareil.

-  Lire le manuel d'instructions.
-  Faire preuve de prudence et de vigilance.
-  Avertissement ! L'aspirateur peut renfermer des poussières dangereuses.
-  Ne jamais monter sur l'aspirateur.
-  Poussière de catégorie M (moyenne). Les aspirateurs peuvent récupérer la poussière de catégorie L et M.

Respectez les réglementations de votre pays en matière de poussière et d'hygiène et de sécurité sur le lieu de travail.



..... Pour les pays européens uniquement
Ne pas jeter les appareils électriques dans les ordures ménagères !
Conformément à la directive européenne relative aux déchets d'équipements électriques et électroniques (DEEE), et à sa transposition dans la législation nationale, les appareils électriques doivent être collectés à part et être soumis à un recyclage respectueux de l'environnement.

Utilisations

ENE084-1

Cet appareil est destiné à recueillir les poussières humides et sèches. L'outil est destiné à une utilisation commerciale, notamment dans les hôtels, les écoles, les hôpitaux, les usines, les magasins, les bureaux et les agences de location.

Alimentation

ENF001-1

L'outil ne doit être raccordé qu'à une alimentation de la même tension que celle figurant sur la plaque signalétique et il ne peut fonctionner que sur un courant secteur monophasé. Vous devez mettre l'outil à la terre lors de son fonctionnement afin de vous protéger contre les chocs électriques. Utilisez uniquement des rallonges trifilaires munies de fiches de mise à la terre à trois broches et de socles tripolaires acceptant la fiche de l'outil.

CONSIGNES DE SÉCURITÉ CONCERNANT L'ASPIRATEUR

ENB119-5

⚠ AVERTISSEMENT ! IMPORTANT LISEZ ATTENTIVEMENT toutes les consignes de sécurité et toutes les instructions AVANT D'UTILISER L'OUTIL.

Le non-respect des consignes et instructions peut entraîner un choc électrique, un incendie et/ou des blessures graves.

- 1. Avant de faire fonctionner l'aspirateur, assurez-vous qu'il doit être utilisé par des personnes correctement formées à l'utilisation de celui-ci.**
- 2. Utilisez la prise de courant située sur l'aspirateur uniquement aux fins spécifiées dans les instructions.**
- 3. En cas de fuite de mousse ou de liquide, éteignez immédiatement l'appareil.**
- 4. Nettoyez régulièrement le limiteur de niveau d'eau et vérifiez qu'il n'est pas endommagé.**
- 5. N'utilisez pas l'aspirateur sans son filtre. Si le filtre est endommagé, remplacez-le immédiatement.**
- 6. UTILISATION DE LA RALLONGE. Si vous devez utiliser une rallonge en raison de l'éloignement de la source d'alimentation, essayez d'en trouver une suffisamment épaisse et pas trop longue, afin de ne pas altérer les performances de l'aspirateur. Pour les applications en extérieur, utilisez une rallonge adaptée à l'utilisation en extérieur.**
- 7. AVERTISSEMENT RELATIF À LA TENSION : Avant de raccorder l'aspirateur à une source d'alimentation (prise, etc.), veillez à ce que la tension fournie soit identique à celle spécifiée sur la plaque signalétique de l'aspirateur. L'utilisation d'une source d'alimentation dont la tension est supérieure à celle spécifiée pour l'aspirateur risque de provoquer de GRAVES BLESSURES pour l'opérateur et d'endommager l'aspirateur. En cas de doute, NE BRANCHEZ PAS L'ASPIRATEUR. L'utilisation d'une source d'alimentation dont la tension est inférieure à celle indiquée sur la plaque signalétique est dangereuse pour le moteur.**
- 8. ÉVITEZ TOUT DÉMARRAGE INVOLONTAIRE. Avant de brancher l'appareil, assurez-vous que l'interrupteur est en position d'arrêt.**
- 9. Veillez à ne pas aspirer de matériaux inflammables, d'artifices, de cigarettes allumées, de cendres chaudes, de copeaux métalliques chauds, de matériaux tranchants, tels que des rasoirs, des aiguilles, du verre brisé ou tout autre produit similaire.**
- 10. N'UTILISEZ JAMAIS L'ASPIRATEUR À PROXIMITÉ D'ESSENCE, DE GAZ, DE PEINTURE, D'ADHÉSIFS OU D'AUTRES SUBSTANCES FORTEMENT EXPLOSIVES. L'interrupteur émet des étincelles lors de son activation et sa désactivation. Le commutateur du moteur émet également son fonctionnement. Une explosion dangereuse risque de se produire.**
- 11. N'aspirez jamais de matériaux toxiques, cancérigènes, inflammables ou autrement dangereux, tels que l'amiante, l'arsenic, le baryum, le béryllium, le plomb, les pesticides ou autres produits dangereux pour la santé.**
- 12. N'utilisez jamais l'aspirateur à l'extérieur sous la pluie.**
- 13. Ne l'utilisez pas à proximité de sources de chaleur (poêles, etc.).**
- 14. PROTÉGEZ-VOUS CONTRE LES CHOCS ÉLECTRIQUES. Évitez tout contact corporel avec les surfaces mises à la terre. Par exemple, les tuyaux, radiateurs, cuisinières et caisses de réfrigérateurs.**
- 15. N'obstruez pas les grilles d'aération. Ces grilles permettent de refroidir le moteur. Toute obstruction doit être évitée, afin de ne pas brûler le moteur par manque de ventilation.**
- 16. Assurez-vous d'avoir une bonne prise au sol et une bonne position d'équilibre à tout moment.**
- 17. NE MALTRAITEZ PAS LE CORDON D'ALIMENTATION. Ne transportez jamais l'aspirateur par son cordon et ne tirez pas sur le cordon pour le débrancher de la prise. Maintenez le cordon à l'écart de la chaleur, de l'huile et des objets à bords tranchants. Inspectez le cordon de l'aspirateur régulièrement et faites-le réparer dans un centre de service agréé s'il est endommagé. Inspectez régulièrement les rallonges et remplacez-les si elles sont endommagées.**
- 18. Ne pliez pas, n'appuyez pas fortement et ne marchez pas sur le tuyau.**
- 19. Éteignez immédiatement l'aspirateur si vous apercevez qu'il aspire mal ou que quelque chose d'anormal se produit pendant son fonctionnement.**
- 20. DÉBRANCHEZ L'ASPIRATEUR. Lorsque vous ne l'utilisez pas, avant d'effectuer son entretien et lors du remplacement d'accessoires.**
- 21. Nettoyez et effectuez l'entretien de l'aspirateur immédiatement après chaque utilisation afin de le conserver en excellent état.**
- 22. SOYEZ PRUDENT(E) LORS DE L'ENTRETIEN DE L'ASPIRATEUR. Maintenez l'aspirateur propre afin d'améliorer ses performances et de le rendre plus sûr. Suivez les instructions relatives au remplacement d'accessoires. Maintenez les poignées de l'appareil sèches, propres et exemptes d'huile ou de graisse.**

23. **ASSUREZ-VOUS QU'AUUCUNE PIÈCE N'EST ENDOMMAGÉE.** Avant d'utiliser à nouveau l'aspirateur, vous devez vérifier soigneusement l'absence de dommages sur le carter de protection ou toute autre pièce, afin de vous assurer qu'il fonctionnera correctement et pourra exécuter le travail pour lequel il a été conçu. Assurez-vous que les pièces en mouvement sont alignées et se déplacent librement, qu'aucune pièce n'est cassée, que les pièces sont correctement montées et qu'il n'y a aucune anomalie pouvant affecter le fonctionnement de l'appareil. Un carter de protection ou toute autre pièce endommagée doit être correctement réparé(e) ou remplacé(e) par un centre de service agréé, sauf indication contraire figurant dans le présent mode d'emploi. Les interrupteurs défectueux doivent être remplacés par un centre de service agréé. N'utilisez pas l'aspirateur si l'interrupteur ne permet pas de l'allumer et de l'éteindre.
24. **PIÈCES DE RECHANGE.** Seules des pièces de rechange identiques aux pièces d'origine doivent être utilisées lors de l'entretien.
25. **RANGÉZ TOUT ASPIRATEUR NON UTILISÉ.** Lorsque vous n'utilisez pas l'aspirateur, rangez-le en intérieur.
26. Prenez soin de votre aspirateur. Toute manipulation brusque risque de casser l'aspirateur le plus robuste.
27. **Ne tentez pas de nettoyer l'extérieur ou l'intérieur de l'aspirateur avec de l'essence, un diluant ou un nettoyant chimique. Vous risqueriez de le fissurer ou de le décolorer.**
28. **N'utilisez pas l'aspirateur dans un espace confiné dans lequel sont émises des vapeurs inflammables, explosives ou toxiques provenant de peintures à base d'huile, de diluant, d'essence, de substances anti-mites, etc., ou dans des lieux où se trouvent des poussières inflammables.**
29. **Ne laissez pas le cordon de l'aspirateur sur le sol après avoir terminé vos travaux de nettoyage. Il pourrait vous faire trébucher ou endommager l'aspirateur.**
30. **N'utilisez pas l'aspirateur ou tout autre appareil après avoir consommé des médicaments ou de l'alcool.**
31. **En matière de sécurité, une règle de base consiste à utiliser des lunettes étanches ou des lunettes de sécurité munies d'un écran latéral.**
32. **Utilisez un masque anti-poussières dans les environnements poussiéreux.**
33. **Cet appareil n'est pas prévu pour être utilisé par des personnes, notamment des enfants dont les facultés physiques, sensorielles ou mentales sont réduites, ou bien n'ayant pas l'expérience et les connaissances suffisantes.**
34. **Les jeunes enfants doivent être surveillés pour s'assurer qu'ils ne jouent pas avec l'aspirateur.**
35. **Ne manipulez jamais la prise du cordon ou l'aspirateur avec les mains mouillées.**
36. **Soyez extrêmement prudent(e) lors du nettoyage d'escaliers.**

37. **N'utilisez pas l'aspirateur comme un tabouret ou un établi. Il pourrait tomber et entraîner des blessures corporelles.**

CONSERVER POUR RÉFÉRENCE ULTÉRIEURE

⚠ AVERTISSEMENT :

NE vous laissez PAS tromper (au fil d'une utilisation répétée) par un sentiment d'aisance et de familiarité avec le produit, en négligeant le respect rigoureux des consignes de sécurité qui accompagnent l'outil. Une UTILISATION INCORRECTE de l'outil ou le non-respect des consignes de sécurité indiquées dans ce manuel d'instructions peuvent causer des blessures graves.

DESCRIPTION DU FONCTIONNEMENT

⚠ AVERTISSEMENT :

- **Avant de brancher l'aspirateur, assurez-vous toujours qu'il est éteint.** Le fait de brancher l'aspirateur alors que l'interrupteur est en position de marche risque de provoquer le démarrage involontaire de l'appareil et d'entraîner de graves blessures corporelles.

Interrupteur (Fig. 1)

Pour démarrer l'aspirateur, tournez le levier du commutateur en position « I ». Pour l'éteindre, tournez le levier du commutateur en position « O ». (Fig. 2) Vous pouvez régler la puissance de l'aspiration en fonction de vos besoins.

Pour augmenter la puissance de l'aspiration, tournez le bouton de réglage correspondant depuis le symbole ↶ vers le symbole ↷.

Réglez également la molette de sélection du diamètre du tuyau en fonction du diamètre du tuyau que vous allez utiliser.

Molette de sélection du diamètre du tuyau

Tournez la molette dans le même sens que le tuyau que vous utilisez.

REMARQUE :

Ne réglez pas la molette en position centrale. Tournez toujours dans l'un des deux sens, selon le diamètre du tuyau.

Bip d'avertissement

Il existe deux types de bips. L'un est court, l'autre est long. Lorsque la vitesse du débit d'air chute sous 20 m/s, l'aspirateur émet de courts bips d'avertissements pour des raisons de sécurité. Dans ce cas, vérifiez la molette de sélection du diamètre du tuyau ou veillez à ce que la puissance d'aspiration ne soit pas trop faible. Si les bips continuent de retentir, procédez à l'entretien ou contactez votre centre d'entretien le plus proche. Lorsque le réservoir est rempli de liquide, l'aspirateur émet un long bip d'avertissement. Lorsque le réservoir est plein et que le bip retentit, éteignez l'aspirateur et videz le réservoir.

Raccordement à des appareils électriques (Fig. 3 et 2)

AVERTISSEMENT :

- Assurez-vous que l'aspirateur et l'appareil électrique sont éteints avant de les brancher ou les débrancher. Si vous raccordez l'appareil électrique à l'aspirateur alors qu'ils sont tous les deux allumés, vous risquez de déclencher un démarrage involontaire et soudain, entraînant de graves blessures corporelles.
- Ne raccordez jamais à la prise de l'aspirateur un appareil électrique dont la puissance d'entrée est supérieure à celle spécifiée dans les « SPÉCIFICATIONS » en tournant le bouton de réglage de la puissance d'aspiration. Si vous raccordez un appareil électrique présentant une puissance d'entrée supérieure à celle spécifiée, vous risquez de déclencher une surchauffe et d'endommager l'aspirateur.
- Lors du raccordement d'un outil mis à la terre, insérez une fiche munie d'une prise de terre dans la prise de l'aspirateur.

Vous pouvez raccorder l'aspirateur à un appareil électrique dont la puissance d'entrée est conforme à celles indiquées dans les « SPÉCIFICATIONS ».

- Pour raccorder un appareil électrique, ouvrez le capuchon de sortie et insérez la prise de l'appareil électrique dans la prise de l'aspirateur.
- Lorsque vous raccordez un appareil électrique, sécurisez le cordon d'alimentation et le tuyau à égales distances à l'aide des colliers de serrage. Cela permet d'éviter que le tuyau emmêle le cordon d'alimentation. (Fig. 4)
- Tournez le levier du commutateur en position « AUTO ».
- Déplacez le bouton de réglage de la puissance d'aspiration sur la position adéquate pour la puissance d'entrée de l'appareil électrique que vous prévoyez d'utiliser.
- Le fait d'allumer et d'éteindre simultanément l'appareil électrique raccordé entraîne l'activation et la désactivation de l'aspirateur. L'aspirateur fonctionne encore pendant quelques secondes, même après la désactivation de l'appareil électrique.
- Après avoir utilisé l'appareil électrique, débranchez-le de la prise de l'aspirateur.
- Éteignez l'aspirateur après l'avoir utilisé.

Arrêt de l'aspiration automatique pendant le fonctionnement

AVERTISSEMENT :

- N'aspirez pas de mousse ou de liquide savonneux.** L'aspiration de mousse ou de liquide savonneux peut entraîner l'expulsion de la mousse par la sortie d'air avant que l'aspiration automatique s'arrête. Si vous continuez à utiliser l'appareil dans cet état, vous risquez de provoquer un choc électrique et de casser l'aspirateur.

L'aspirateur est équipé d'un mécanisme qui empêche l'eau de pénétrer dans le moteur lors de l'aspiration d'une quantité d'eau trop importante.

Lorsque le réservoir est rempli de liquide, l'aspirateur émet un long bip d'avertissement. Éteignez l'aspirateur et videz le réservoir lorsque ce bip retentit.

Utilisation du crochet de support

ATTENTION :

- Veillez à ne pas vous pincer les doigts lors de la fermeture du crochet de support.** Le non-respect de cette consigne peut provoquer des blessures corporelles.

NOTE :

- Ne forcez pas de manière excessive sur le crochet de support. Vous risqueriez de l'endommager. Fermez le crochet de support lorsque vous ne l'utilisez pas. L'ouverture du crochet de support permet d'effectuer les opérations suivantes.

1. Rangement du cordon d'alimentation (Fig. 5)

NOTE :

- N'utilisez pas l'aspirateur ou un appareil électrique raccordé après avoir enroulé un cordon d'alimentation sur le crochet de support.** L'utilisation de l'aspirateur ou de l'appareil électrique raccordé avec le cordon d'alimentation risque d'endommager ce dernier.

2. Rangement des manchons avant (Fig. 6)

Les manchons avant 22, 24 et 38 peuvent être rangés (jusqu'à deux à la fois.)

3. Rangement du tuyau (Fig. 7)

4. Pose d'un appareil électrique de dimensions raisonnables pour le crochet de support, par exemple une scie circulaire. (Fig. 8)

Blockage ou déblocage des roulettes (Fig. 9)

Pour bloquer les roulettes à l'aide d'une butée, abaissez le levier de la butée afin d'empêcher les roulettes de tourner. Pour débloquer les roulettes, soulevez le levier de la butée.

Il est pratique de bloquer les roulettes lors du rangement de l'aspirateur, de l'interruption momentanée de l'aspiration et du maintien à l'arrêt de l'aspirateur. Pour bouger la butée, déplacez-la avec la main.

NOTE :

- Lors du déplacement de l'aspirateur, assurez-vous que les roulettes sont débloquées. Si vous déplacez l'aspirateur alors que les roulettes sont bloquées, vous risquez de les endommager.

Capuchon

Le port de montage comporte un capuchon. Ce capuchon empêche la poussière aspirée de sortir de l'aspirateur.

MONTAGE

AVERTISSEMENT :

- Cet appareil peut renfermer des poussières dangereuses. Lors du remplacement des éléments du filtre et du sac à poussière, utilisez toujours un masque respiratoire P2.

- Avant d'effectuer toute intervention sur l'aspirateur, assurez-vous toujours qu'il est hors tension et débranché.
- Ne mettez jamais l'appareil sous tension avant d'avoir installé tous les filtres et le sac à poussière et avant d'avoir testé la commande de débit du volume.

Installation et retrait du sac-filtre

⚠ AVERTISSEMENT :

- Utilisez toujours un masque respiratoire P2.
- Lors de l'utilisation du sac-filtre, utilisez également le filtre à air préinstallé sur l'appareil. La non utilisation du filtre à air risque de provoquer un bruit anormal et de la chaleur, puis de déclencher un incendie.

⚠ ATTENTION :

- N'aspirez jamais d'eau ou d'autres liquides ou bien des poussières humides lors de l'utilisation du sac-filtre. L'aspiration de ces types de substances peut entraîner le déchirement du sac-filtre.

1. Déployez le sac-filtre. (Fig. 10)
2. Alignez l'ouverture du sac-filtre sur l'ouverture d'aspiration de la poussière de l'aspirateur. (Fig. 11)
3. Insérez le carton du sac-filtre sur l'appareil, de sorte qu'il se trouve à l'extrémité au-delà du renflement bloquant.

Lors du retrait du sac-filtre, tirez sur le bord de l'ouverture du sac-filtre afin de pouvoir la refermer avec un papier.

Installation du sac en polyéthylène

Vous pouvez également utiliser l'aspirateur sans sac en polyéthylène. Toutefois, l'utilisation d'un sac en polyéthylène facilite le vidage du réservoir tout en évitant de se salir les mains.

Étalez le sac en polyéthylène dans le réservoir. Insérez-le entre la plaque du support et le réservoir et tirez-le vers l'entrée du tuyau. (Fig. 12)

Étalez le sac autour de la partie supérieure du réservoir. (Fig. 13)

Accrochez l'autre côté du sac autour de la partie supérieure du réservoir, de sorte que le crochet du préfiltre puisse l'accrocher et bien le maintenir.

REMARQUE :

- Vous pouvez utiliser un sac en polyéthylène disponible dans le commerce. Il est recommandé d'utiliser un sac d'une épaisseur de 0,04 mm au moins.
- Une quantité de poussière trop importante déchirera aisément le sac, donc ne remplissez pas le sac de plus de la moitié de sa capacité en poussière.

Retrait du sac en polyéthylène

⚠ AVERTISSEMENT :

- Assurez-vous toujours que l'aspirateur est éteint et débranché avant de vider le sac en polyéthylène. Le non respect de cette consigne peut provoquer un choc électrique et de graves blessures corporelles.

⚠ ATTENTION :

- N'appuyez pas fortement sur le filtre à air et sur le réservoir. Une pression trop importante risque de déformer et d'endommager le filtre à air et le réservoir.
- Videz le réservoir au moins une fois par jour, même si cela dépend du volume de poussière aspirée dans le

réservoir. Dans le cas contraire, la puissance d'aspiration sera amoindrie et le moteur risquera de se casser.

- Ne tirez pas sur le crochet lorsque vous videz le réservoir. Vous risqueriez de le casser.

Décrochez et soulevez le couvercle du réservoir. (Fig. 14)
Sortez le sac en polyéthylène du réservoir. (Fig. 15)

REMARQUE :

- Au moment de vider le sac en polyéthylène, sortez-le du réservoir avec précaution, de sorte qu'il ne puisse pas être happé et déchiré par le renflement à l'intérieur du réservoir.
- Videz le sac en polyéthylène avant qu'il soit plein. Une quantité trop importante de poussière dans le réservoir peut entraîner la déchirure du sac en polyéthylène.

Raccordement d'un tuyau

⚠ ATTENTION :

- Ne forcez jamais sur le tuyau pour le courber ou le marquer. Ne déplacez jamais l'aspirateur en le tirant par le tuyau. Si vous forcez, marquez et tirez sur le tuyau, vous risquez de le casser ou de le déformer.
- Lors de l'aspiration de gros déchets, tels que des copeaux, des morceaux de béton ou des substances similaires qui ne sont pas de petits déchets, utilisez le tuyau de 38 mm de diamètre interne (accessoire fourni en option). L'utilisation du tuyau de 28 mm de diamètre interne peut provoquer l'obturation et l'endommagement du tuyau.
- Placez toujours le capuchon sur le port de montage lorsque vous retirez le tuyau de l'appareil.

Retirez le capuchon du port de montage. Vous pouvez placer le capuchon dans le crochet polyvalent lorsque le tuyau est raccordé à l'appareil. (Fig. 16)

Insérez le tuyau dans le port de montage du réservoir et tournez-le dans le sens des aiguilles d'une montre jusqu'à ce qu'il se bloque. (Fig. 17)

FONCTIONNEMENT

⚠ AVERTISSEMENT :

- Utilisez toujours un masque respiratoire P2.

⚠ ATTENTION :

- En cas de fuite de mousse ou de liquide de l'appareil, éteignez-le immédiatement. Si vous continuez à utiliser l'appareil dans cet état, vous risquez de provoquer un choc électrique et de casser l'aspirateur.

ENTRETIEN

⚠ AVERTISSEMENT :

- Utilisez toujours un masque respiratoire P2 pendant l'entretien de l'appareil.

⚠ ATTENTION :

- Assurez-vous toujours que l'appareil est éteint et débranché avant d'effectuer tout travail d'inspection ou d'entretien.
- N'utilisez jamais d'essence, de benzine, de diluant, d'alcool ou de produit similaire. Ces produits risquent de provoquer des décolorations, des déformations ou des fissures.

- Une inspection technique, incluant l'inspection des filtres, l'imperméabilité à l'air et le mécanisme de commande, doit être effectuée au moins une fois par an par un spécialiste.
- Lors de l'entretien, tous les éléments contaminés qui ne peuvent pas être nettoyés de manière satisfaisante doivent être remplacés. Ces éléments doivent être placés dans des sacs étanches conformes aux réglementations de votre pays.
- Après avoir utilisé l'aspirateur dans une zone dangereuse, vous devez décontaminer l'extérieur de l'appareil en l'aspirant et en l'essuyant ou en le traitant avec un produit d'étanchéité avant de le sortir de la zone dangereuse. Toutes les pièces de l'appareil doivent être considérées comme contaminées lorsqu'elles quittent la zone dangereuse et des mesures adaptées doivent être prises pour éviter que la poussière soit dispersée.
- Changez le filtre à air lorsqu'il est encrassé par la poussière ou lorsque vous sentez que les performances de l'aspirateur diminuent.
- Examinez régulièrement les filtres. S'ils sont déchirés, remplacez-les immédiatement.

Retrait du filtre à air

ATTENTION :

- Attendez environ 5 minutes afin que la poussière retombe complètement au fond du réservoir.
- Assurez-vous que l'outil est débranché.
- Veillez à ce que la poussière ne pénètre pas à l'intérieur du couvercle du réservoir lors du retrait du filtre à air.

Décrochez le couvercle du réservoir et retirez-le avec précaution. Posez-le à l'envers. (Fig. 18)
Débloquez les crochets du filtre en abaissant le levier de la butée. (Fig. 19)

Recouvrez les filtres à air avec un sac en plastique. (Fig. 20)

Retirez avec précaution les filtres à air du couvercle du réservoir et fermez solidement le sac en plastique. (Fig. 21)

Montage du filtre à air

Si les composants du filtre à air sont fournis séparément, assemblez-les comme suit.

Placez le préfiltre sur le filtre à poudre. (Fig. 22)
Assurez-vous que les rebords du préfiltre et du filtre à poudre sont correctement positionnés. (Fig. 23)

Installation du filtre à air

Essayez la surface du joint.
Placez les filtres à air neufs et fixez-les avec les crochets du filtre. (Fig. 24)
Abaissez le levier de la butée pour bloquer les filtres à air. Placez le couvercle du réservoir sur le réservoir et bloquez-le avec des crochets. (Fig. 25)

NOTE :

- Assurez-vous que les crochets sur les filtres à air sont correctement positionnés.

Nettoyage des capteurs de niveau

(Fig. 26)

Les capteurs de niveau détectent le liquide lorsque le réservoir est rempli de liquide. Nettoyez régulièrement les capteurs de niveau avec un chiffon doux lors du remplacement des filtres à air.

Nettoyage des filtres à air

Un filtre encrassé altère les performances d'aspiration. Nettoyez les filtres de temps en temps.

Pour retirer la poussière ou les particules collées aux filtres, retirez le préfiltre du filtre à air. Tapotez également plusieurs fois sur le préfiltre.

Lavez de temps à autre le filtre à poudre à l'eau, rincez-le et séchez-le bien à l'ombre avant de l'utiliser. Ne lavez jamais les filtres dans une machine à laver. (Fig. 27)

REMARQUE :

- Ne frottez pas et ne rayez pas le filtre à poudre, le préfiltre ou l'humidificateur avec des objets durs tels qu'une brosse ou une spatule.
- Les filtres sont des consommables et il est recommandé d'en avoir de rechange.

Rangement du cordon d'alimentation

(Fig. 28 et 29)

Enroulez le cordon d'alimentation autour du crochet polyvalent ou du crochet de support.

Rangement des accessoires

REMARQUE :

- N'appliquez pas une force excessive aux accessoires maintenus par le support du tuyau. L'application d'une force excessive à ces accessoires risque d'endommager le support du tuyau.

Le support du tuyau peut être utilisé pour ranger le tuyau droit, le tuyau courbé et d'autres éléments similaires grâce à la simple insertion de ces accessoires. (Fig. 30)
Les tuyaux peuvent être placés dans le support du tuyau en cas de non utilisation de l'aspirateur pendant un certain temps. (Fig. 31)

Vous pouvez placer le capuchon dans le crochet polyvalent lorsque le tuyau est raccordé à l'appareil. (Fig. 32)

Rangement du tuyau (Fig. 33 et 7)

Le tuyau peut être placé sur le crochet de support ou le crochet polyvalent.

Pour garantir la SÉCURITÉ et la FIABILITÉ du produit, les réparations ainsi que tout autre travail d'entretien ou de réglage doivent être effectués dans un centre d'entretien Makita agréé, exclusivement avec des pièces de rechange Makita.

ACCESSOIRES FOURNIS EN OPTION

ATTENTION :

- Ces accessoires ou pièces complémentaires sont recommandés pour être utilisés avec l'outil Makita spécifié dans ce mode d'emploi. L'utilisation de tout autre accessoire ou pièce complémentaire peut

comporter un risque de blessure. N'utilisez les accessoires ou pièces qu'aux fins auxquelles ils ont été conçus.

Pour obtenir plus de détails sur ces accessoires, contactez votre Centre de service local Makita.

- Tuyau
- Manchons avant (22, 24, 38)
- Tuyau droit
- Embout d'angle
- Brosse ronde
- Filtre à poudre
- Humidificateur
- Préfiltre
- Ensemble de l'embout
- Tuyau courbé
- Sac en polyéthylène
- Sac-filtre
- Collier de serrage
- Crochet de sangle complet
- Capuchon

REMARQUE :

- Certains éléments de la liste peuvent être inclus en tant qu'accessoires standard dans le coffret de l'outil envoyé. Ils peuvent varier suivant les pays.

Bruit ENG905-1
Les niveaux de bruit pondéré A typiques ont été mesurés selon la norme EN/IEC60704 :

Niveau de pression sonore (L_{pA}) : 72,5 dB (A)
Incertitude (K) : 2,5 dB (A)

Le niveau de bruit peut dépasser 80 dB (A) lors de l'utilisation.

Portez des protections auditives.

Vibrations ENG900-1
La valeur totale de vibration (somme du vecteur triaxial) a été déterminée selon la norme EN/IEC60335 :

La valeur des émissions de vibrations est inférieure à 2,5 m/s².

Pour les pays d'Europe uniquement ENH038-3
Déclaration de conformité CE

Makita déclare que la/les machine(s) suivante(s) :

Nom de la machine :

Aspirateur

N° de modèle/Type : VC2211M, VC3211M

sont conformes aux directives européennes suivantes :

2006/42/CE

sont produites conformément aux normes ou documents de normalisation suivants :

EN60335

Le dossier technique conforme à la norme 2006/42/CE est disponible auprès de :

Makita, Jan-Baptist Vinkstraat 2, 3070, Belgique

25. 11. 2014



Yasushi Fukaya
Directeur

Makita, Jan-Baptist Vinkstraat 2, 3070, Belgique

DEUTSCH (Originalanweisungen)

Erklärung der Gesamtdarstellung

- | | | |
|---|-------------------------|-----------------------|
| 1. Drehknopf zum Einstellen der Saugkraft | 8. Schlauchaufsätze | 17. Behälter |
| 2. Drehknopf zur Auswahl des Schlauchdurchmessers | 9. Saugschlauch | 18. Behälterdeckel |
| 3. Drehschalter Ein/Aus/Auto | 10. Position ENTRIEGELT | 19. Haken |
| 4. Abdeckung für Steckdose | 11. Position VERRIEGELT | 20. Kappe |
| 5. Netzkabel | 12. Stopperhebel | 21. Staubfilter |
| 6. Schlauchband | 13. Rolle | 22. Feuchtefilter |
| 7. Werkzeughalter | 14. Filterbeutel | 23. Vorfilter |
| | 15. Halteplatte | 24. Füllstandsensoren |
| | 16. Polyethylenbeutel | 25. Mehrzweckhalter |

TECHNISCHE DATEN

Modell		VC2211M/VC3211M			
Länder		EU	Schweiz	GB	
Spannung	Volt	230-240	230-240	110	230-240
Leistungsaufnahme	Watt	1.050	1.050	1.050	1.050
Anschlusslast für Gerätesteckdose	Watt in Betriebsart	2.400	1.100	600	1.900
	Watt in Betriebsart	2.600	1.400	850	2.100
Leistungsaufnahme gesamt	Watt	3.450	2.150	1.650	2.950

Modell		VC2211M	VC3211M
Volumenstrom (Luft)	mit Schlauch ø 28 mm x 3,5 m	2,0 m³/min	
	mit Schlauch ø 38 mm x 2,5 m	3,5 m³/min	
Unterdruck		22 kPa	
Schutzart		IP X4 (geschützt gegen allseitiges Spritzwasser)	
Aufnahmefähigkeit	Staub	22 l	32 l
	Wasser	17 l	27 l
Abmessungen (L x B x H)		552 mm x 398 mm x 569 mm	552 mm x 398 mm x 685 mm
Nettogewicht		16,3 kg	16,9 kg
Schutzklasse		Klasse I	

- Aufgrund unserer beständigen Forschungen und Weiterentwicklungen sind Änderungen an den hier angegebenen Technischen Daten ohne Vorankündigung vorbehalten.
- Die Technischen Daten können in den einzelnen Ländern voneinander abweichen.
- Gewicht entsprechend EPTA-Verfahren 01/2003

Symbole

END112-4

Im Folgenden sind die im Zusammenhang mit diesem Gerät verwendeten Symbole dargestellt. Machen Sie sich vor der Benutzung des Geräts unbedingt mit diesen Symbolen vertraut!

..... Lesen Sie die Betriebsanleitung!

..... Besondere Aufmerksamkeit erforderlich!

..... Warnung! Im Absauggerät befindet sich möglicherweise gesundheitsgefährdender Staub.

..... Stellen Sie sich niemals auf das Absauggerät!



..... Staubklasse M (Mittel). Die Absauggeräte können Staub der Klassen L und M aufnehmen. Halten Sie die in Ihrem Land geltenden Gesetze und Bestimmungen zu Staubschutz und zu Gesundheits- und Arbeitsschutz ein.



..... Nur für EU-Länder
Werfen Sie Elektrowerkzeuge nicht in den Hausmüll!
Gemäß der Europäischen Richtlinie über Elektro- und Elektronik-Altgeräte und ihrer Umsetzung in nationales Recht müssen verbrauchte Elektrowerkzeuge getrennt gesammelt und einer umweltgerechten Wiederverwertung zugeführt werden.

Verwendungszweck

ENE084-1

Das Gerät wurde für das Sammeln von trockenem und feuchtem Staub entwickelt. Das Gerät ist für die gewerbliche Nutzung, beispielsweise in Hotels, Schulen, Krankenhäusern, Fabriken, Geschäften, Büros, und im Vermietgewerbe vorgesehen.

Stromversorgung

ENF001-1

Das Gerät darf nur an Einphasen-Wechselstrom mit der auf dem Typenschild angegebenen Spannung angeschlossen werden. Dieses Gerät ist an einem Schutzleiteranschluss zu betreiben, um den Bediener vor einem Stromschlag zu schützen. Verwenden Sie ausschließlich dreidrigge Verlängerungskabel mit Schuko-Steckern und Schuko-Steckdosen, die dem Schuko-Stecker des Geräts entsprechen.

SICHERHEITSHINWEISE ZUM ABSAUGGERÄT

ENB119-5

⚠️ WARNUNG! WICHTIG: LESEN SIE VOR DER BENUTZUNG alle Sicherheitshinweise und Anleitungen SORGFÄLTIG DURCH. Bei Nichtbeachten dieser Warnungen und Anweisungen kann es zu einem Stromschlag, einem Brand und/oder schweren Verletzungen kommen.

1. Stellen Sie vor der Nutzung sicher, dass dieses Absauggerät ausschließlich von Personen bedient wird, die ordnungsgemäß in die Nutzung und in die Bedienung dieses Absauggeräts eingewiesen wurden.
2. Verwenden Sie die Steckdose am Absauggerät ausschließlich für den in der Anleitung vorgegebenen Zweck.
3. Falls Schaum oder Flüssigkeit austritt, sofort ausschalten.
4. Reinigen Sie den Wasserstandbegrenzer regelmäßig, und kontrollieren Sie den Begrenzer auf Anzeichen von Schäden.
5. Verwenden Sie das Absauggerät nur mit eingesetztem Filter. Ersetzen Sie einen beschädigten Filter unverzüglich.
6. VERWENDEN VON VERLÄNGERUNGSKABELN: Bei Verwendung eines Verlängerungskabels aufgrund der Entfernung zur nächstgelegenen Stromquelle ist ein Kabel mit möglichst kurzer Länge und ausreichendem Leiterquerschnitt zu verwenden, da anderenfalls die Leistung des Absauggeräts sinken kann. Verwenden Sie im Freien ausschließlich Verlängerungskabel, die für die Verwendung im Freien zugelassen sind.
7. WARNUNG! – HOCHSPANNUNG: Stellen Sie vor dem Anschließen des Absauggeräts an eine Stromversorgung (Steckdose) sicher, dass die Spannung der Stromversorgung der auf dem Typenschild des Absauggeräts angegebenen Spannung entspricht. Bei Anschluss an eine Stromversorgung mit einer höheren als der angegebenen Spannung kann es zu SCHWEREN VERLETZUNGEN des Benutzers des Absauggeräts sowie zu Schäden am Absauggerät kommen. Wenn Sie sich nicht im Klaren über die Spannung sind, SCHLIESSEN SIE DAS ABSAUGGERÄT NICHT AN. Bei einer Spannung, die geringer als die auf dem Typenschild

angegebene Spannung ist, kann der Motor beschädigt werden.

8. VERMEIDEN SIE EIN VERSEHENTLICHES STARTEN DES GERÄTS: Stellen Sie vor dem Anschließen an die Stromversorgung sicher, dass der Schalter auf AUS steht.
9. Nehmen Sie mit dem Absauggerät keine feuergefährlichen oder explosiven Stoffe, glimmende Tabakreste, heiße Asche, heiße Metallspäne oder scharfe Gegenstände wie Rasierklingen, Nadeln, Glasscherben o. ä. auf.
10. BETREIBEN SIE DAS ABSAUGGERÄT NIEMALS IN DER NÄHE VON KRAFTSTOFFEN, GAS, FARBEN, KLEBSTOFFEN ODER SONSTIGEN EXPLOSIVEN STOFFEN! Beim Ein- und Ausschalten entstehen am Schalter Funken. Während des Betriebs entstehen außerdem am Kommutator des Motors Funken. Dadurch kann es zu einer Explosion kommen.
11. Saugen Sie mit diesem Absauggerät niemals giftige, krebserregende, brennbare oder auf andere Weise gefährliche Stoffe wie z. B. Asbest, Arsen, Barium, Beryllium, Blei, Pestizide und sonstige gesundheitsgefährliche Materialien auf.
12. Verwenden Sie das Absauggerät niemals bei Regen im Freien.
13. Verwenden Sie das Absauggerät nicht in der Nähe von Wärmequellen (Öfen usw.).
14. SCHUTZ VOR STROMSCHLAG: Vermeiden Sie Körperkontakt mit geerdeten Flächen. Dazu gehören beispielsweise Rohrleitungen, Heizkörper, Herde, Kühlschranksgehäuse usw.
15. Halten Sie Lüftungsöffnungen stets frei. Diese Lüftungsöffnungen sorgen für die Kühlung des Motors. Ein Verstopfen dieser Lüftungsöffnungen muss unbedingt vermieden werden, da anderenfalls der Motor nicht ausreichend belüftet wird und durchbrennt.
16. Achten Sie jederzeit auf sicheren Stand und sicheres Gleichgewicht.
17. VERWENDEN SIE NETZKABEL NICHT ZWECKENTFREMDET: Tragen Sie das Absauggerät niemals am Kabel, und ziehen Sie nicht am Kabel, um den Stecker aus der Steckdose zu ziehen. Halten Sie das Kabel von Hitze, Öl und scharfen Gegenständen und Kanten fern. Überprüfen Sie die Kabel am Absauggerät in regelmäßigen Abständen. Lassen Sie sie im Fall einer Beschädigung von entsprechend autorisiertem Fachpersonal reparieren. Überprüfen Sie Verlängerungskabel in regelmäßigen Abständen, und tauschen Sie diese im Fall einer Beschädigung aus.
18. Knicken Sie den Schlauch nicht, ziehen Sie nicht am Schlauch, und treten Sie nicht auf den Schlauch.
19. Wenn während des Betriebs die Leistung sinkt oder wenn Sie sonstige unnormale Dinge bemerken, stoppen Sie den Betrieb des Absauggeräts unverzüglich.
20. TRENNEN SIE DAS ABSAUGGERÄT VON DER STROMVERSORGUNG: bei Nichtverwendung, vor dem Ausführen von Wartungsarbeiten und beim Wechseln von Zubehörteilen.

21. Damit das Absauggerät in einwandfreiem Zustand verbleibt, sollten Sie das Absauggerät direkt nach der Verwendung reinigen und ggf. Wartungsarbeiten ausführen.
22. **NEHMEN SIE SORGFÄLTIG ALLE NOTWENDIGEN WARTUNGSARBEITEN AM ABSAUGGERÄT VOR:** Halten Sie das Absauggerät stets sauber, damit das Absauggerät stets mit höchster Leistung und höchster Zuverlässigkeit genutzt werden kann. Halten Sie beim Wechseln von Zubehörteilen die Anleitungen ein. Achten Sie darauf, dass die Griffe trocken, sauber und frei von Öl und Schmiermittel sind.
23. **ÜBERPRÜFEN SIE AUF BESCHÄDIGTE TEILE:** Vor der weiteren Verwendung des Absauggeräts müssen beschädigte Schutzvorrichtungen oder sonstige beschädigte Teile sorgfältig überprüft werden, um sicherzustellen, dass diese Teile noch ordnungsgemäß funktionieren und ihren beabsichtigten Zweck erfüllen. Überprüfen Sie die Ausrichtung beweglicher Teile und deren Verbindungselemente und ob Teile beschädigt sind. Vergewissern Sie sich darüber hinaus, dass die Montage korrekt ist und keine Umstände vorliegen, die den ordnungsgemäßen Betrieb stören könnten. Sofern in dieser Betriebsanleitung an anderer Stelle nicht anders angegeben, müssen beschädigte Schutzvorrichtungen und sonstige beschädigte Teile durch entsprechend autorisiertes Fachpersonal ordnungsgemäß repariert oder ausgetauscht werden. Lassen Sie defekte Schalter in einem autorisierten Servicecenter reparieren. Verwenden Sie das Absauggerät nicht, wenn sich das Absauggerät nicht anhand des Schalters ein- oder ausschalten lässt.
24. **ERSATZTEILE:** Verwenden Sie bei Wartungsarbeiten ausschließlich Original-Ersatzteile.
25. **LAGERUNG DES ABSAUGGERÄTS BEI NICHTVERWENDUNG:** In Zeiten der Nichtverwendung sollte das Absauggerät in einem geschlossenen Raum aufbewahrt werden, nicht im Freien.
26. Gehen Sie sorgsam mit dem Absauggerät um. Durch rohe Behandlung kann selbst das robusteste Absauggerät beschädigt werden.
27. Versuchen Sie nicht, das Innere oder das Äußere des Absauggeräts mit Hilfe von Benzin, Verdünnungen oder chemischen Reinigungsmitteln zu reinigen. Bei Verwendung derartiger Mittel kann es zu Rissen und Verfärbungen kommen.
28. Verwenden Sie das Absauggerät nicht in geschlossenen Räumen, in denen brennbare, explosionsgefährliche oder giftige Dämpfe auftreten, die aus Ölfarben, Farbverdünnungen, Leichtbenzinen, Mottenschutzmitteln usw. austreten können, oder in Bereichen mit feuergefährlichen Stäuben.
29. Lassen Sie das Kabel des Absauggeräts nach Beendigung der Reinigungsarbeiten nicht auf dem Fußboden liegen. Das Kabel kann zur Stolperfalle werden oder anderweitig zu Schäden am Absauggerät führen.
30. **Betreiben Sie dieses Absauggerät, wie jedes andere Werkzeug oder Gerät auch, niemals, wenn Sie unter Einfluss von Alkohol, betäubenden Substanzen oder Medikamenten stehen.**
31. Tragen Sie als fundamentale Arbeitsschutzmaßnahme eine Arbeitsschutzbrille oder eine Sicherheitsbrille mit Seitenschutz.
32. Tragen Sie bei Arbeiten in staubigen Bereichen eine Staubmaske.
33. Dieses Gerät darf nicht von Personen mit verminderten physischen, sensorischen oder psychischen Fähigkeiten oder unzureichenden Erfahrungen und Kenntnissen bedient werden.
34. Kleinkinder sind so zu beaufsichtigen, dass sichergestellt ist, dass sie nicht mit dem Absauggerät spielen.
35. Gehen Sie nie mit feuchten Händen mit dem Kabel, dem Stecker oder dem Absauggerät um.
36. Seien Sie beim Reinigen auf Treppen und Stufen besonders aufmerksam.
37. Verwenden Sie das Absauggerät nicht als Sitzgelegenheit oder Werkbank. Das Gerät könnte umkippen, wodurch es zu Verletzungen kommen kann.

BEWAHREN SIE DIESE BETRIEBSANLEITUNG ZUM SPÄTEREN NACHSCHLAGEN SORGFÄLTIG AUF

⚠️ WARNUNG:

Lassen Sie sich **NIE** durch Bequemlichkeit oder (aus fortwährendem Gebrauch gewonnener) Vertrautheit mit dem Gerät dazu verleiten, die Sicherheitsregeln für das Gerät zu missachten. Bei **MISSBRÄUCLICHER** Verwendung des Geräts oder bei Missachtung der in diesem Handbuch enthaltenen Sicherheitshinweise kann es zu schweren Verletzungen kommen.

FUNKTIONSBESCHREIBUNG

⚠️ WARNUNG:

- Vergewissern Sie sich vor dem Anschließen des Absauggeräts an die Stromversorgung stets, dass **das Absauggerät ausgeschaltet ist**. Beim Anschließen eines eingeschalteten Absauggeräts startet das Absauggerät möglicherweise unerwartet, wodurch es zu schweren Verletzungen kommen kann.

Ein- und Ausschalten (Abb. 1)

Um das Absauggerät einzuschalten, drehen Sie den Drehschalter Ein/Aus/Auto auf die Position „I“. Um das Absauggerät auszuschalten, drehen Sie den Drehschalter Ein/Aus/Auto auf die Position „O“. **(Abb. 2)** Die Saugkraft kann entsprechend der notwendigen Reinigungsarbeiten eingestellt werden. Durch Drehen des Drehknopfs zum Einstellen der Saugkraft von ↶ Symbol in Richtung ↷ Symbol wird die Saugkraft erhöht.

Stellen Sie außerdem den Drehknopf zur Auswahl des Schlauchdurchmessers auf den Durchmesser des verwendeten Saugschlauchs ein.

Drehknopf zur Auswahl des Schlauchdurchmessers

Drehen Sie den Drehknopf auf die Stellung für den verwendeten Schlauch.

HINWEIS:

Stellen Sie den Drehknopf nicht auf die mittlere Stellung ein. Stellen Sie den Drehknopf immer dem Schlauchdurchmesser entsprechend auf eine der beiden Seitenstellungen ein.

Warnton

Es gibt zwei Arten von Warntönen: einen kurzen Warnton und einen langen Warnton.

Wenn die Strömungsgeschwindigkeit der Luft unter 20 m/s sinkt, gibt das Absauggerät aus Sicherheitsgründen kurze Warntöne von sich. Überprüfen Sie bei Ertönen dieser Warntöne die Stellung des Drehknopfs zur Auswahl des Schlauchdurchmessers oder ob die Saugkraft zu niedrig ist. Wenn die Warntöne weiterhin ertönen, nehmen Sie eine Wartung vor, oder wenden Sie sich an Ihr Servicecenter.

Wenn der Behälter mit Flüssigkeit gefüllt ist, gibt das Absauggerät lange Warntöne von sich.

Wenn der Behälter voll ist und lange Warntöne ertönen, schalten Sie das Absauggerät aus, und leeren Sie den Behälter.

Anschließen von Elektrowerkzeugen (Abb. 3 und 2)

⚠️ WARNUNG:

- Stellen Sie vor dem Anschließen und dem Trennen von Elektrowerkzeugen sicher, dass sowohl das Absauggerät als auch das Elektrowerkzeug ausgeschaltet ist. Wenn beim Anschließen des Elektrowerkzeugs an das Absauggerät beide Geräte eingeschaltet sind, startet das Elektrowerkzeug plötzlich und möglicherweise unerwartet, wobei es zu schweren Verletzungen kommen kann.
- Schließen Sie niemals ein Elektrowerkzeug an die Steckdose des Absauggeräts an, dessen Leistungsaufnahme die Vorgaben unter „TECHNISCHE DATEN“ übersteigt, wenn Sie den Drehknopf zum Einstellen der Saugkraft auf Vollerleistung drehen. Bei Anschließen eines Elektrowerkzeugs mit einer höheren als der zulässigen Leistungsaufnahme kann es zu einer Überhitzung und einer Beschädigung des Absauggeräts kommen.
- Schließen Sie ein Werkzeug mit Schutzerdung nur über einen Schutzkontaktstecker an die Steckdose des Absauggeräts an.

An das Absauggerät kann ein Elektrowerkzeug angeschlossen werden, wenn die Leistungsaufnahme dieses Werkzeugs die unter „TECHNISCHE DATEN“ angegebene Leistungsaufnahme nicht übersteigt.

1. Um ein Elektrowerkzeug anzuschließen, öffnen Sie die Abdeckung für die Steckdose, und stecken Sie den Stecker des Elektrowerkzeugs in die Steckdose am Absauggerät.

2. Wenn Sie ein Elektrowerkzeug an das Absauggerät anschließen, sichern Sie das Netzkabel des Werkzeugs mit Hilfe der Schlauchbänder in regelmäßigen Abständen am Schlauch. So wird verhindert, dass sich Schlauch und Kabel ineinander verheddern. (Abb. 4)
3. Drehen Sie den Drehschalter Ein/Aus/Auto auf die Position „AUTO“.
4. Bringen Sie den Drehknopf zum Einstellen der Saugkraft in eine Position, die für die Leistungsaufnahme des zu verwendenden Elektrowerkzeugs geeignet ist.
5. Bei Ein- bzw. Ausschalten des angeschlossenen Elektrowerkzeugs wird auch das Absauggerät ein- bzw. ausgeschaltet. Nach dem Ausschalten des angeschlossenen Elektrowerkzeugs läuft das Absauggerät noch einige Sekunden nach.
6. Ziehen Sie nach Gebrauch den Stecker des Elektrowerkzeugs aus der Steckdose des Absauggeräts.
7. Schalten Sie das Absauggerät nach Gebrauch aus.

Automatischer Saugstopp während des Saugens

⚠️ WARNUNG:

- **Saugen Sie keinen Schaum und keine mit schaubildenden Mitteln versetzten Flüssigkeiten auf.** Beim Aufsaugen von Schaum oder von mit schaubildenden Mitteln versetzten Flüssigkeiten kann Schaum aus dem Luftaustritt austreten, bevor der automatische Saugstopp anspricht. Bei weiterem Betrieb in dieser Situation kann es zu einem Stromschlag oder zu einer Beschädigung des Absauggeräts kommen.

Das Absauggerät verfügt über einen Mechanismus, der das Eindringen von Wasser in den Motor verhindert, nachdem bereits eine bestimmte Menge an Wasser aufgenommen wurde.

Wenn der Behälter mit Flüssigkeit gefüllt ist, gibt das Absauggerät einen langen Warnton von sich. Wenn dieser Warnton ertönt, schalten Sie das Absauggerät aus, und leeren Sie den Behälter.

Verwenden des Werkzeughalters

⚠️ ACHTUNG:

- **Achten Sie beim Schließen des Werkzeughalters darauf, dass Sie sich nicht die Finger einklemmen.** Anderenfalls kann es zu Verletzungen kommen.

HINWEIS:

- Wenden Sie auf den Werkzeughalter keine übermäßige Kraft an. Durch übermäßige Kräfteanwendung kann der Werkzeughalter beschädigt werden. Schließen Sie den Werkzeughalter, wenn dieser nicht genutzt wird.

Ein geöffneter Werkzeughalter kann wie folgt genutzt werden:

1. Aufbewahren des Netzkabels (Abb. 5)

HINWEIS:

- **Benutzen Sie das Absauggerät oder ein Elektrowerkzeug nicht mit um den Werkzeughalter aufgewickelmtem Netzkabel.** Bei Verwendung von

Absauggerät oder Werkzeug mit aufgewickelterm Netzkabel kann das Netzkabel beschädigt werden.

2. Aufbewahren der Schlauchaufsätze (Abb. 6)

Es können die Schlauchaufsätze 22, 24 und 38 aufbewahrt werden (bis zu zwei Stück gleichzeitig).

3. Aufbewahren des Saugschlauchs (Abb. 7)

4. Ablegen eines Elektrowerkzeugs geeigneter Größe auf dem Werkzeughalter, z. B. eine Handkreissäge. (Abb. 8)

Verriegeln und Entriegeln der Rolle (Abb. 9)

Zum Verriegeln der Rolle mit einem Stopper bringen Sie den Stopperhebel in die untere Position: die Rolle dreht sich nicht mehr. Zum Entriegeln der Rolle bringen Sie den Stopperhebel wieder in die obere Position.

Das Verriegeln der Rolle macht insbesondere beim Abstellen des Absauggeräts nach Gebrauch, beim Unterbrechen der Arbeiten und dann, wenn sich das Absauggerät nicht bewegen soll, Sinn. Betätigen Sie den Stopper von Hand.

HINWEIS:

- Achten Sie darauf, dass die Rolle entriegelt ist, wenn Sie das Absauggerät bewegen möchten. Beim Bewegen des Absauggeräts mit verriegelter Rolle kann die Rolle beschädigt werden.

Kappe

Am Schlauchanschluss befindet sich eine Kappe. Die Kappe verhindert, dass aufgesaugter Staub aus dem Absauggerät austritt.

MONTAGE

⚠️ WARNUNG:

- Dieses Gerät enthält möglicherweise gesundheitsgefährdender Staub. Tragen Sie beim Austauschen von Filterelementen Staubbeuteln immer eine Atemschutzmaske P2.
- Schalten Sie das Absauggerät unbedingt aus, und ziehen Sie den Netzstecker, bevor Sie irgendwelche Arbeiten am Absauggerät durchführen.
- Schalten Sie das Absauggerät nur ein, wenn alle Filter und der Staubbeutel ordnungsgemäß eingesetzt sind und die Luftstromsteuerung getestet wurde.

Einsetzen und Entnehmen des Filterbeutels

⚠️ WARNUNG:

- Tragen Sie immer eine Atemschutzmaske P2.
- Bei Verwendung des Filterbeutels muss auch der werkseitig bereits in das Gerät eingebaute Luftfilter verwendet werden. Ohne Luftfilter kommt es zu unnötiger Geräusentwicklung, und es kann zu einer Überhitzung des Geräts mit einem Brand als Folge kommen.

⚠️ ACHTUNG:

- Saugen Sie bei Gebrauch des Filterbeutels niemals Wasser oder sonstige Flüssigkeiten oder feuchten

Staub auf. Bei Aufsaugen derartiger Stoffe kann der Filterbeutel aufplatzen.

1. Falten Sie den Filterbeutel auseinander. (Abb. 10)
2. Richten Sie die Öffnung des Filterbeutels mit der Staubansaugöffnung des Absauggeräts aus. (Abb. 11)
3. Setzen Sie die Pappe des Filterbeutels so in das Absauggerät ein, dass sie sich am Ende hinter der Arretierungsnahe befindet.

Zum Entnehmen des Filterbeutels ziehen Sie an der Kante an der Öffnung des Filterbeutels. Dadurch wird die Öffnung durch ein Papierstück verschlossen.

Einsetzen eines Polyethylenbeutels

Das Absauggerät kann auch ohne Polyethylenbeutel verwendet werden. Bei Verwendung eines Polyethylenbeutels kann der Behälter jedoch einfacher geleert werden, ohne sich die Hände zu beschmutzen. Falten Sie den Polyethylenbeutel im Behälter auseinander. Setzen Sie den Beutel zwischen Halteplatte und Behälter ein, und ziehen Sie den Beutel zum Schlauchanschluss. (Abb. 12)

Legen Sie den Beutel um die Oberkante des Behälters. (Abb. 13)

Haken Sie die andere Seite des Beutels um die Oberkante des Behälters, damit der Haken des Vorfilters greifen und den Beutel sicher in seiner Position arretieren kann.

HINWEIS:

- Es können handelsübliche Polyethylenbeutel verwendet werden. Es wird empfohlen, Beutel mit einer Dicke von mindestens 0,04 mm zu verwenden.
- Bei einer zu großen Staubmenge reißen die Beutel leicht auf, sammeln Sie daher in einem Beutel nicht mehr als die Hälfte des Beutelvolumens an Staub.

Entnehmen des Polyethylenbeutels

⚠️ WARNUNG:

- Stellen Sie vor dem Entnehmen des Polyethylenbeutels unbedingt sicher, dass das Absauggerät ausgeschaltet und vom Stromnetz getrennt ist. Anderenfalls kann es zu einem Stromschlag und zu schweren Verletzungen kommen.

⚠️ ACHTUNG:

- Wenden Sie bei Luftfilter und Behälter nicht allzu viel Kraft an. Durch Anwenden zu großer Kräfte können Luftfilter und Behälter deformiert und beschädigt werden.
- Leeren Sie den Behälter mindestens einmal täglich; dies ist jedoch vom in den Behälter gesaugten Staubvolumen abhängig. Anderenfalls sinkt die Saugkraft, wodurch der Motor beschädigt werden kann.
- Reißen Sie beim Leeren des Behälters nicht am Haken. Anderenfalls kann der Haken beschädigt werden.

Entriegeln Sie den Behälterdeckel, und heben Sie den Behälterdeckel ab. (Abb. 14)

Nehmen Sie den Polyethylenbeutel aus dem Behälter. (Abb. 15)

HINWEIS:

- Nehmen Sie den Polyethylenbeutel vorsichtig aus dem Behälter, damit sich der Beutel nicht an Bauteilen im Inneren des Behälters verfangt und aufreißt.
- Leeren Sie den Polyethylenbeutel, bevor der Beutel zu voll ist. Ein zu stark gefüllter Beutel kann zerreißen.

Anschließen eines Saugschlauchs

ACHTUNG:

- Biegen Sie den Saugschlauch niemals gewaltsam, und drücken Sie den Saugschlauch niemals gewaltsam zusammen. Bewegen Sie das Absauggerät niemals durch Ziehen am Saugschlauch. Durch gewaltsames Biegen oder Zusammendrücken des Saugschlauchs und durch Ziehen am Saugschlauch kann der Saugschlauch beschädigt oder deformiert werden.
- Verwenden Sie zum Aufsaugen großer Abfallstücke wie beispielsweise Hobelspäne, Betonbrocken o. ä. den Schlauch mit dem Innendurchmesser von 38 mm (Sonderzubehör). Bei Verwendung des Schlauchs mit Innendurchmesser 28 mm kann es zum Verstopfen und zu Beschädigungen des Schlauchs kommen.
- Setzen Sie immer die Kappe auf den Schlauchanschluss, nachdem Sie den Saugschlauch vom Gerät abgenommen haben.

Nehmen Sie die Kappe vom Schlauchanschluss. Solange ein Saugschlauch am Gerät angeschlossen ist, können Sie die Kappe am Mehrzweckhalter aufbewahren.

(Abb. 16)

Setzen Sie den Saugschlauch auf den Schlauchanschluss des Behälters auf, und drehen Sie den Saugschlauch im Uhrzeigersinn, bis der Saugschlauch einrastet. (Abb. 17)

BETRIEB

WARNUNG:

- Tragen Sie immer eine Atemschutzmaske P2.

ACHTUNG:

- Wenn Rauch oder Flüssigkeit aus dem Gerät austreten sollte, schalten Sie das Gerät sofort aus. Bei weiterem Betrieb in dieser Situation kann es zu einem Stromschlag oder zu einer Beschädigung des Absauggeräts kommen.

WARTUNG

WARNUNG:

- Tragen Sie beim Ausführen von Wartungsarbeiten immer eine Atemschutzmaske P2.

ACHTUNG:

- Schalten Sie das Gerät aus und ziehen Sie immer den Netzstecker, bevor Sie am Gerät Inspektionen oder Wartungsarbeiten vornehmen.
- Verwenden Sie zum Reinigen niemals Kraftstoffe, Benzin, Verdünner, Alkohol oder ähnliches. Dies kann zu Verfärbungen, Verformungen oder Rissen führen.
- Mindestens einmal jährlich muss von einer dafür qualifizierten Person eine technische Inspektion, einschließlich Inspektion der Filter, einer Luftdichtheitsprüfung und Inspektion des Regelmechanismus, vorgenommen werden.

- Im Rahmen der Wartungsarbeiten müssen alle kontaminierten Bauteile, die nicht zufriedenstellend gereinigt werden können, ausgebaut und sachgerecht entsorgt werden. Derartige Teile sind in sichere und dichte Behälter, die den gesetzlichen Bestimmungen Ihres Landes entsprechen, zu entsorgen.
- Nach Betrieb in Bereichen mit gefährlichen Stoffen muss die Außenseite des Geräts durch Absaugen dekontaminiert und abgewischt oder mit entsprechenden Mitteln behandelt werden, bevor Sie das Gerät aus den Bereich mit gefährlichen Stoffen bringen. Alle Teile des Geräts sind bei Verbringen des Geräts aus den gefährlichen Bereich als kontaminiert anzusehen, und es müssen geeignete Maßnahmen zur Verhinderung der Verteilung von Staub getroffen werden.
- Wenn der Luftfilter durch Staub verstopft ist oder Sie bemerken, dass die Leistung des Absauggeräts sinkt, tauschen Sie den Luftfilter aus.
- Überprüfen Sie die Filter regelmäßig. Tauschen Sie einen Filter, der Risse aufweist, sofort aus.

Entnehmen des Luftfilters

ACHTUNG:

- Warten Sie etwa 5 Minuten, damit sich der Staub im Behälter setzen kann.
- Vergewissern Sie sich, dass der Netzstecker herausgezogen ist.
- Achten Sie beim Entnehmen des Luftfilters darauf, dass kein Staub in das Innere des Behälterdeckels gelangt.

Entriegeln Sie den Behälterdeckel, und nehmen Sie den Behälterdeckel vorsichtig ab. Drehen Sie den Behälterdeckel um. (Abb. 18)

Rasten Sie die Filterhaken durch Umliegen des Stopperhebel aus. (Abb. 19)

Bedecken Sie die Luftfilter mit einer Kunststofffüte.

(Abb. 20)

Nehmen Sie die Luftfilter vorsichtig aus dem Behälterdeckel, und binden Sie die Kunststofffüte fest zu. (Abb. 21)

Einsetzen des Luftfilters

Wenn Sie die Komponenten des Luftfilters einzeln geliefert bekommen haben, setzen Sie die Komponenten wie im Folgenden erläutert zusammen.

Setzen Sie den Vorfilter über den Staubfilter. (Abb. 22)

Achten Sie darauf, dass die Ränder von Vorfilter und Staubfilter ordnungsgemäß positioniert sind. (Abb. 23)

Einbauen des Luftfilters

Wischen Sie die Dichtfläche ab.

Setzen Sie die neuen Luftfilter ein, und sichern Sie die Filter mit den Filterhaken. (Abb. 24)

Legen Sie den Stopperhebel um, um die Luftfilter zu sichern.

Setzen Sie den Behälterdeckel auf den Behälter, und sichern Sie den Deckel mit Hilfe der Haken. (Abb. 25)

HINWEIS:

- Stellen Sie sicher, dass sich die Haken auf den Filtern in der richtigen Position befinden.

Reinigen der Füllstandsensoren (Abb. 26)

Wenn der Behälter mit Flüssigkeit gefüllt wird, erkennen die Füllstandsensoren diese Flüssigkeiten. Reinigen Sie die Füllstandsensoren von Zeit zu Zeit beim Wechseln der Luftfilter mit Hilfe eines weichen Tuchs.

Reinigen der Luftfilter

Verstopfte Filter führen zu einer ungenügenden Saugleistung.

Reinigen Sie die Filter von Zeit zu Zeit.

Um Staub oder an den Filtern anhaftende Partikel zu entfernen, nehmen Sie den Vorfilter vom Luftfilter ab.

Klopfen Sie den Vorfilter mehrmals aus.

Waschen Sie den Staubfilter gelegentlich in Wasser aus, spülen Sie den Filter dazu mit klarem Wasser, und lassen Sie den Filter an einem schattigen Ort gründlich trocknen.

Waschen Sie Filter niemals in einer Waschmaschine.

(Abb. 27)

HINWEIS:

- Reiben oder kratzen Sie den Staubfilter, den Vorfilter und den Feuchtefilter niemals mit harten Gegenständen wie beispielsweise Bürsten oder Kratzern.
- Filter sind Verbrauchsmaterial; es ist daher empfehlenswert, stets einige Reservefilter vorrätig zu halten.

Aufbewahren des Netzkabels (Abb. 28 und 29)

Wickeln Sie das Netzkabel um den Mehrzweckhalter oder den Werkzeughalter.

Aufbewahren von Zubehör

HINWEIS:

- Wenden Sie auf Zubehör, das am Rohrhalter befestigt ist, nicht zu viel Kraft an. Durch Anwenden von zu viel Kraft auf dieses Zubehör kann der Rohrhalter beschädigt werden.

Am Rohrhalter können ein gerades Rohr, ein gekrümmtes Rohr und ähnliche Teile aufbewahrt werden; dazu werden diese Zubehörteile einfach in den Rohrhalter eingesetzt.

(Abb. 30)

Die Rohre können auch in den Rohrhalter eingesetzt werden, wenn das Absauggerät bei einer Arbeitsunterbrechung kurzzeitig nicht genutzt wird.

(Abb. 31)

Solange ein Saugschlauch am Gerät angeschlossen ist, können Sie die Kappe am Mehrzweckhalter aufbewahren.

(Abb. 32)

Aufbewahren des Saugschlauchs (Abb. 33 und 7)

Der Saugschlauch kann sowohl am Werkzeughalter als auch am Mehrzweckhalter aufbewahrt werden.

Zur Gewährleistung von SICHERHEIT und ZUVERLÄSSIGKEIT des Produkts dürfen Reparaturen, Wartungsarbeiten und Einstellungen nur durch von Makita autorisierte Servicecenter durchgeführt und ausschließlich Makita-Ersatzteile verwendet werden.

SONDERZUBEHÖR

⚠ ACHTUNG:

- Für das in diesem Handbuch beschriebene Makita-Gerät werden die folgenden Zubehör- und Zusatzteile empfohlen. Bei Verwendung anderer Zubehör- und Zusatzteile kann es zu Verletzungen kommen. Verwenden Sie Zubehör- und Zusatzteile nur für den vorgesehenen Zweck.

Informationen zu diesem Zubehör erhalten Sie von Ihrem Makita-Servicecenter.

- Saugschlauch
- Schlauchaufsätze (22, 24, 38)
- Gerades Rohr
- Eckdüse
- Rundbürste
- Staubfilter
- Feuchtefilter
- Vorfilter
- Düsensatz
- Gekrümmtes Rohr
- Polyethylenbeutel
- Filterbeutel
- Schlauchband
- Gurthaken, vollständig
- Kappe

HINWEIS:

- Einige der in der Liste aufgeführten Elemente sind dem Werkzeugpaket als Standardzubehör beigelegt. Diese können in den einzelnen Ländern voneinander abweichen.

Schallpegel

ENG905-1

Typischer A-bewerteter Schallpegel nach EN/IEC60704:

Schalldruckpegel (L_{pA}): 72,5 dB (A)

Abweichung (K): 2,5 dB (A)

Unter Arbeitsbedingungen kann der Schallpegel 80 dB (A) überschreiten.

Tragen Sie Gehörschutz.

Schwingung

ENG900-1

Schwingungsgesamtwert (Vektorsumme dreier Achsen) nach EN/IEC60335:

Der Schwingungsemissionswert liegt unter 2,5 m/s².

Nur für europäische Länder

ENH038-3

EG-Konformitätserklärung

Makita erklärt, dass die nachfolgende(n) Maschine(n):

Bezeichnung der Maschine(n):

Absauggerät

Nummer/Typ des Modells: VC2211M, VC3211M

den folgenden Richtlinien der Europäischen Union genügt/genügen:

2006/42/EG

Sie werden gemäß den folgenden Standards oder Normen gefertigt:

EN60335

Die technischen Unterlagen gemäß 2006/42/EG sind
erhältlich von:

Makita, Jan-Baptist Vinkstraat 2, 3070, Belgien

25. 11. 2014

A handwritten signature in black ink, appearing to read 'Yasushi Fukaya'.

Yasushi Fukaya
Direktor

Makita, Jan-Baptist Vinkstraat 2, 3070, Belgien

ITALIANO (Istruzioni originali)

Spiegazione della vista generale

- | | | |
|---|------------------------------|-----------------------------|
| 1. Manopola di regolazione della potenza aspirante | 8. Bocchette anteriori | 17. Serbatoio |
| 2. Manopola di selezione del diametro del tubo flessibile | 9. Tubo flessibile | 18. Coperchio del serbatoio |
| 3. Levetta di accensione | 10. Posizione LIBERA | 19. Gancio |
| 4. Coperchio di uscita | 11. Posizione BLOCCATA | 20. Coperchio |
| 5. Cavo di alimentazione | 12. Levetta di fermo | 21. Filtro antipolvere |
| 6. Fascetta stringitubo | 13. Ruota orientabile | 22. Valvola di tiraggio |
| 7. Gancio base | 14. Sacchetto del filtro | 23. Prefiltro |
| | 15. Piastra del supporto | 24. Sensori di livello |
| | 16. Sacchetto in polietilene | 25. Gancio multifunzione |

CARATTERISTICHE TECNICHE

Modello		VC2211M/VC3211M			
Paesi		UE	Svizzera	Regno Unito	
Tensione	Volt	230-240	230-240	110	230-240
Potenza assorbita	Watt	1.050	1.050	1.050	1.050
Potenza allacciata per presa apparecchio	Watt nella modalità con simbolo ☞	2.400	1.100	600	1.900
	Watt nella modalità con simbolo ☜	2.600	1.400	850	2.100
Potenza allacciata totale	Watt	3.450	2.150	1.650	2.950

Modello		VC2211M	VC3211M
Flusso volumetrico (aria)	Con tubo flessibile ø28 mm × 3,5 m	2,0 m³/min	
	Con tubo flessibile ø38 mm × 2,5 m	3,5 m³/min	
Pressione di vuoto		22 kPa	
Tipo di protezione		IP X4 (antispruzzo)	
Capacità di recupero	Polvere	22 l	32 l
	Acqua	17 l	27 l
Dimensioni (Lu × La × Al)		552 mm × 398 mm × 569 mm	552 mm × 398 mm × 685 mm
Peso netto		16,3 kg	16,9 kg
Classe di sicurezza		Classe I	

- Le caratteristiche tecniche riportate di seguito sono soggette a modifiche senza preavviso in virtù del nostro programma continuo di ricerca e sviluppo.
- Le caratteristiche tecniche possono differire da paese a paese.
- Peso determinato in conformità con la EPTA-Procedure 01/2003

Simboli

END112-4

Di seguito sono riportati i simboli utilizzati per l'utensile. È importante comprenderne il significato prima dell'uso.



..... Leggere le istruzioni per l'uso.



..... Prestare particolare cura e attenzione.



..... Avvertenza! L'aspiratore può contenere polveri pericolose.



..... Non salire mai sull'aspiratore.



..... Classe di polveri M (media). Gli aspiratori permettono la raccolta delle polveri di



..... Solo per Paesi UE

classe L e M. Osservare le norme in vigore nel proprio paese in materia di polveri e di salute e sicurezza sul lavoro.

Non gettare le apparecchiature elettriche tra i rifiuti domestici.

Secondo la Direttiva Europea sui rifiuti di apparecchiature elettriche ed elettroniche e la sua attuazione in conformità alle norme nazionali, le apparecchiature elettriche esauste devono essere raccolte separatamente, al fine di essere riciclate in modo eco-compatibile.

Uso previsto

ENE084-1

L'utensile è destinato all'aspirazione di polveri umide e asciutte. L'apparecchio è adatto per l'uso commerciale, ad esempio in alberghi, scuole, ospedali, fabbriche, negozi, uffici e società di noleggio.

Alimentazione

ENF001-1

L'utensile deve essere collegato esclusivamente a una fonte di alimentazione con la stessa tensione di quella indicata sulla targhetta e può funzionare soltanto con corrente alternata monofase. Questo utensile deve essere dotato di messa a terra per proteggere l'operatore dal rischio di folgorazioni. Utilizzare esclusivamente prolunghe a tre conduttori con spine a tre denti con messa a terra e prese a tre poli che si adattino alla spina dell'utensile.

AVVERTENZE SULLA SICUREZZA DELL'ASPIRATORE

ENB119-5

⚠ AVVERTENZA! IMPORTANTE: LEGGERE CON ATTENZIONE tutte le avvertenze sulla sicurezza e tutte le istruzioni PRIMA DELL'USO. La mancata osservanza delle istruzioni e delle avvertenze potrebbe provocare scariche elettriche, incendi e/o infortuni gravi.

1. **Prima dell'uso, assicurarsi che l'aspiratore venga usato solo da persone adeguatamente addestrate.**
2. **Usare la presa di corrente sull'aspiratore solo per gli scopi specificati nelle istruzioni.**
3. **In caso di fuoriuscita di schiuma/liquido, spegnere immediatamente.**
4. **Pulire regolarmente il dispositivo di limitazione del livello dell'acqua ed ispezionarlo alla ricerca di eventuali tracce di danneggiamento.**
5. **Evitare di usare l'aspiratore in assenza del filtro. Sostituire immediatamente il filtro, se danneggiato.**
6. **UTILIZZO DI PROLUNGHE.** Se si deve utilizzare una prolunga perché la presa di corrente è troppo lontana, scegliere se possibile una prolunga dal cavo abbastanza spesso e non troppo lungo, altrimenti le prestazioni dell'aspiratore risulteranno inferiori. Se si deve usare l'aspiratore all'aperto, scegliere una prolunga da esterni.
7. **AVVERTENZA SULLA TENSIONE:** Prima di collegare l'aspiratore a una sorgente di alimentazione (prolunga, presa a muro, ecc.), assicurarsi che la tensione erogata corrisponda a quella specificata sulla targhetta dell'aspiratore. Una sorgente di alimentazione con una tensione superiore a quella specificata per l'aspiratore può provocare **LESIONI GRAVI** all'operatore e danneggiare l'aspiratore stesso. In caso di dubbi, **NON INSERIRE LA SPINA DELL'ASPIRATORE.** L'uso di una sorgente di alimentazione con una tensione inferiore a quella indicata sulla targhetta può danneggiare il motore.
8. **PREVENIRE L'AVVIO ACCIDENTALE DELLA MACCHINA.** Accertarsi che l'interruttore sia in posizione OFF prima di collegare l'utensile.
9. **Non provare ad aspirare materiali infiammabili, fuochi d'artificio, sigarette accese, ceneri calde, frammenti di metallo incandescenti, materiali taglienti quali rasoi, aghi, vetri rotti e simili.**

10. NON USARE MAI L'ASPIRATORE VICINO A BENZINA, GAS, VERNICI, ADESIVI O ALTRE SOSTANZE ALTAMENTE ESPLOSIVE.

L'interruttore produce delle scintille quando viene ACCESO o SPENTO. Anche il commutatore del motore produce scintille quando è in funzione. Potrebbe verificarsi una pericolosa esplosione.

11. **Non aspirare materiali tossici, cancerogeni, combustibili o altrimenti pericolosi quali amianto, bario, berillio, piombo, pesticidi, o altri materiali dannosi per la salute.**
12. **Evitare di usare l'aspiratore all'aperto quando piove.**
13. **Non usare in prossimità di fonti di calore (stufe, ecc.).**
14. **ADOTTARE PROTEZIONI CONTRO LE SCOSSE ELETTRICHE.** Evitare il contatto fisico con superfici collegate a terra. Ad esempio: tubi, radiatori, fornelli da cucina, frigoriferi.
15. **Non bloccare le aperture di ventilazione.** Queste aperture consentono il raffreddamento del motore. Prestare estrema attenzione a non bloccarle, altrimenti il motore fonde per mancanza di ventilazione.
16. **Mantenere sempre l'equilibrio e un punto d'appoggio adeguati.**
17. **MANEGGIARE IL CAVO CON CURA.** Non trasportare l'aspiratore tirando il cavo, né strattarlo per scollarlo dalla presa. Mantenere il cavo lontano da calore, olio o bordi taglienti. Controllare periodicamente i cavi dell'aspiratore e, nel caso siano danneggiati, fare eseguire la riparazione da un centro di assistenza autorizzato. Controllare periodicamente le prolunghe e sostituirle se danneggiate.
18. **Non piegare, strattone o calpestare il tubo.**
19. **Arrestare immediatamente l'aspiratore se si notano prestazioni scarse o una qualsiasi anomalia durante il funzionamento.**
20. **SCOLLEGARE L'ASPIRATORE.** Quando non è in uso, prima della manutenzione e prima di sostituire gli accessori.
21. **Pulire ed eseguire la manutenzione dell'aspiratore immediatamente dopo ogni utilizzo, per mantenerlo in condizioni di funzionamento ottimali.**
22. **ESEGUIRE LA MANUTENZIONE DELL'ASPIRATORE CON CURA.** Tenere l'aspiratore sempre pulito, per una maggiore efficienza e sicurezza. Seguire le istruzioni per la sostituzione degli accessori. Tenere le maniglie asciutte, pulite e prive di olio e grasso.
23. **SOTTOPORRE A CONTROLLO I PEZZI DANNEGGIATI.** Prima di utilizzare l'aspiratore, sottoporre ad accurato controllo le protezioni o altri pezzi danneggiati per stabilire se sono in grado di funzionare correttamente e per gli usi previsti. Verificare l'allineamento e l'eventuale inceppamento delle parti mobili, controllare che non vi siano pezzi danneggiati, parti montate in modo sbagliato o qualunque altra condizione che influisca sul corretto funzionamento. Le protezioni o altre parti danneggiate devono essere riparate o sostituite da centri di assistenza autorizzati, salvo

quanto diversamente indicato nel presente manuale di istruzioni. Far sostituire gli interruttori difettosi da un centro di assistenza autorizzato.

Non utilizzare l'aspiratore se l'interruttore di accensione e spegnimento non funziona.

24. **PEZZI DI RICAMBIO.** Per le riparazioni, utilizzare esclusivamente pezzi di ricambio identici.
25. **CONSERVAZIONE DELL'ASPIRATORE NON IN USO.** Quando non viene utilizzato, l'aspiratore va conservato al coperto.
26. **Maneggiare l'aspiratore con cura. Un uso improprio può danneggiare anche l'aspiratore più robusto.**
27. **Non tentare di pulire l'esterno o l'interno con benzina, solventi o prodotti chimici per la pulizia. Ciò potrebbe causare fratture e scolorimenti.**
28. **Non usare l'aspiratore in spazi chiusi con vapori infiammabili, esplosivi o tossici sprigionati da vernici a base d'olio, diluenti per vernici, benzina, certe sostanze antitarmiche, ecc., o in aree con polveri infiammabili.**
29. **Al termine di un lavoro di pulizia, non lasciare il cavo dell'aspiratore libero sul pavimento o sul terreno. Potrebbe far inciampare o danneggiare l'aspiratore.**
30. **Non utilizzare questo o qualsiasi altro utensile sotto l'effetto di farmaci, droghe o alcool.**
31. **Come regola di base per la sicurezza, usare occhiali di protezione, con o senza schermi laterali.**
32. **In condizioni di lavoro con molta polvere, usare una maschera antipolvere.**
33. **Questa macchina non è destinata all'uso da parte di persone, inclusi i bambini, con ridotte capacità fisiche, sensoriali o mentali, o con mancanza di esperienza e conoscenza.**
34. **I bambini devono essere tenuti sotto controllo per evitare che giochino con l'aspiratore.**
35. **Non toccare mai il cavo di alimentazione o l'aspiratore con le mani bagnate o umide.**
36. **Usare estrema cautela quando si usa l'aspiratore sulle scale.**
37. **Non utilizzare l'aspiratore come sgabello o banco di lavoro. La macchina potrebbe cadere e causare lesioni personali.**

CONSERVARE PER RIFERIMENTO FUTURO

AVVERTENZA:

NON lasciare che la familiarità acquisita con il prodotto (dovuta all'uso ripetuto) provochi l'inosservanza delle norme di sicurezza. L'USO IMPROPRIO o la mancata osservanza delle norme di sicurezza indicate in questo manuale di istruzioni possono provocare gravi danni alla persona.

DESCRIZIONE FUNZIONALE

AVVERTENZA:

- **Prima di inserire la spina dell'aspiratore, assicurarsi sempre che sia spento.** Se si inserisce la spina dell'aspiratore con l'interruttore acceso,

l'aspiratore potrebbe avviarsi inaspettatamente provocando gravi infortuni.

Azionamento dell'interruttore (Fig. 1)

Per avviare l'aspiratore, portare la levetta di accensione nella posizione "I". Per spegnerlo, portare la levetta di accensione nella posizione "O". (Fig. 2)

La potenza aspirante è regolabile in base alle proprie esigenze di lavoro.

Per aumentare la potenza aspirante, ruotare la manopola di regolazione della potenza aspirante dal simbolo ↺ al simbolo ↻.

Impostare anche la manopola di selezione del diametro del tubo flessibile in base al diametro del tubo flessibile che si intende utilizzare.

Manopola di selezione del diametro del tubo flessibile

Ruotare la manopola in base al tubo flessibile in uso.

NOTA:

Non impostare la manopola al centro. Ruotarla sempre verso i lati in base al diametro del tubo flessibile.

Segnale acustico di avvertenza

Esistono due tipi di segnali acustici: un segnale breve e un segnale lungo.

Quando la velocità del flusso d'aria scende sotto i 20 m/s, l'aspiratore emette, per ragioni di sicurezza, brevi segnali acustici di avvertenza. In questo caso, controllare la manopola di selezione del diametro del tubo flessibile e verificare che la potenza aspirante non sia troppo bassa. Se i segnali acustici continuano a essere emessi, eseguire la manutenzione o rivolgersi al centro assistenza locale.

Quando il serbatoio è pieno di liquido, l'aspiratore emette segnali acustici di avvertenza lunghi.

In tale situazione, spegnere l'aspiratore e svuotare il serbatoio.

Collegamento di utensili elettrici (Fig. 3 e 2)

AVVERTENZA:

- Assicurarsi che l'aspiratore e l'utensile elettrico siano entrambi spenti prima di collegarli o scollegarli tra loro. Se si collega l'utensile elettrico all'aspiratore quando sono entrambi accesi potrebbero avviarsi improvvisamente e in maniera inaspettata, causando lesioni personali gravi.
- Non collegare mai alla presa dell'aspiratore utensili elettrici con una potenza di ingresso superiore a quella specificata nella sezione "CARATTERISTICHE TECNICHE" ruotando la manopola di regolazione della potenza aspirante. Se si collega un utensile elettrico che supera la potenza di ingresso specificata, l'aspiratore potrebbe surriscaldarsi e rimanere danneggiato.
- Se si collega un utensile con messa a terra, inserire nella presa dell'aspiratore una spina con piastra di messa a terra.

L'aspiratore può essere collegato a un utensile elettrico con la potenza di ingresso massima indicata nella sezione "CARATTERISTICHE TECNICHE".

1. Per collegare un utensile elettrico, aprire il coperchio di uscita e inserire la spina dell'utensile elettrico nella presa dell'aspiratore.
2. Quando si collega un utensile elettrico, fissare il cavo di alimentazione e il tubo flessibile applicando le fascette stringitubo a una distanza regolare, in modo che il tubo flessibile non rimanga impigliato nel cavo di alimentazione (**Fig. 4**)
3. Ruotare la levetta di accensione in posizione "AUTO".
4. Ruotare la manopola di regolazione della potenza aspirante su una posizione adatta alla potenza di ingresso dell'utensile elettrico che si intende utilizzare.
5. Accendendo e spegnendo l'utensile elettrico collegato, si accende e si spegne contemporaneamente anche l'aspiratore. L'aspiratore continua a funzionare per alcuni secondi dopo lo spegnimento dell'utensile elettrico.
6. Dopo l'uso, scollegare l'utensile elettrico dalla presa dell'aspiratore.
7. Spegnerne l'aspiratore dopo l'uso.

Arresto dell'aspirazione automatica durante l'aspirazione

AVVERTENZA:

- **Non aspirare schiuma o liquidi contenenti sapone.** Se si aspirano schiuma o liquidi contenenti sapone, la schiuma potrebbe fuoriuscire dalla presa dell'aria prima che entri in funzione l'arresto dell'aspirazione automatica. Se si prosegue l'utilizzo in queste condizioni, potrebbero verificarsi scosse elettriche e l'aspiratore potrebbe rompersi.

L'aspiratore dispone di un meccanismo che impedisce all'acqua di penetrare nel motore quando ne viene aspirata più di una certa quantità.

Quando il serbatoio è pieno di liquido, l'aspiratore emette segnali acustici di avvertenza lunghi. In questo caso, spegnere l'aspiratore e svuotare il serbatoio.

Utilizzo del gancio base

ATTENZIONE:

- **Prestare attenzione a non rimanere con le dita schiacciate quando si chiude il gancio base.** In caso contrario, si potrebbero subire lesioni personali.

AVVISO:

- Non esercitare una pressione eccessiva sul gancio base. Una pressione eccessiva sul gancio base potrebbe danneggiarlo. Quando non viene utilizzato, chiudere il gancio base.

L'apertura del gancio base consente i seguenti utilizzi.

1. Stoccaggio del cavo di alimentazione (**Fig. 5**)

AVVISO:

- **Non utilizzare l'aspiratore o l'utensile elettrico collegato con il cavo di alimentazione avvolto sul gancio base.** In caso contrario, il cavo di alimentazione potrebbe danneggiarsi.

2. Stoccaggio delle bocchette anteriori (**Fig. 6**)

È possibile conservare le bocchette anteriori 22, 24 e 38 (un massimo di due alla volta).

3. Stoccaggio del tubo flessibile (**Fig. 7**)

4. Appoggio di un utensile elettrico di dimensioni ragionevoli, come una sega circolare, sul gancio base. (**Fig. 8**)

Bloccaggio e sbloccaggio della ruota orientabile (**Fig. 9**)

Per bloccare la ruota orientabile con il fermo, abbassare la levetta di fermo: la ruota orientabile non potrà più essere ruotata. Per sbloccare la ruota orientabile dalla posizione di bloccaggio, sollevare la levetta di fermo. Il bloccaggio della ruota orientabile risulta pratico quando si ripone l'aspiratore, per fare una pausa durante il lavoro e per mantenere fermo l'aspiratore. Per usare il fermo, spostarlo a mano.

AVVISO:

- Quando si sposta l'aspiratore, assicurarsi che la ruota orientabile non sia bloccata. In caso contrario, la ruota orientabile potrebbe danneggiarsi.

Coperchio

Nell'apertura di montaggio è presente un coperchio che previene la fuoriuscita della polvere raccolta dall'aspiratore.

MONTAGGIO

AVVERTENZA:

- La presente unità può contenere polveri pericolose. Quando si sostituiscono gli elementi filtranti e il sacchetto per la polvere, utilizzare sempre il respiratore P2.
- Accertarsi che l'aspiratore sia spento e scollegato prima di iniziare qualsiasi tipo di operazione.
- Non accendere l'apparecchio finché tutti i filtri e il sacchetto per la polvere non sono stati completamente installati e il controllo del flusso volumetrico non è stato testato.

Installazione e smaltimento del sacchetto del filtro

AVVERTENZA:

- Utilizzare sempre un respiratore P2.
- Quando si usa il sacchetto del filtro, usare anche il filtro dell'aria preinstallato sull'utensile. Se non si usa il filtro dell'aria, potrebbero prodursi rumori anomali e surriscaldamento, con conseguente rischio di incendio.

ATTENZIONE:

- Evitare di aspirare acqua o altri liquidi oppure polveri umide quando si usa il sacchetto del filtro. In caso contrario, il sacchetto del filtro potrebbe rompersi.
1. Estendere il sacchetto del filtro. (**Fig. 10**)
 2. Allineare l'apertura del sacchetto del filtro con l'apertura di aspirazione della polvere dell'aspiratore. (**Fig. 11**)
 3. Inserire il cartoncino del sacchetto del filtro nell'utensile in modo da posizionarlo in fondo, oltre la sporgenza del fermo.

Per smaltire il sacchetto del filtro, tirare il bordo sulla bocca del sacchetto del filtro in modo che quest'ultima risulti chiusa da uno strato di carta.

Installazione del sacchetto in polietilene

L'aspiratore può essere usato anche senza il sacchetto in polietilene. Tuttavia, il sacchetto in polietilene consente di svuotare più facilmente il serbatoio senza sporcarsi le mani.

Aprire e allargare il sacchetto in polietilene all'interno del serbatoio. Inserire il sacchetto tra la piastra del supporto e il serbatoio, quindi tirarlo verso la bocca del tubo flessibile.

(Fig. 12)

Allargare il sacchetto intorno alla parte superiore del serbatoio. (Fig. 13)

Agganciare l'altro lato del sacchetto intorno alla parte superiore del serbatoio, in modo che il gancio del prefiltro possa innestarsi e reggere il sacchetto saldamente.

NOTA:

- È possibile utilizzare un comune sacchetto in polietilene del tipo disponibile in commercio. Si raccomanda di usare sacchetti di spessore pari o superiore a 0,04 mm.
- Una quantità eccessiva di polvere può causare la rottura del sacchetto: non superare la metà della capacità del sacchetto.

Smaltimento del sacchetto in polietilene

⚠ AVVERTENZA:

- Assicurarsi sempre che l'aspiratore sia spento e scollegato prima di svuotare il sacchetto in polietilene. In caso contrario, potrebbero verificarsi scosse elettriche e gravi infortuni.

⚠ ATTENZIONE:

- Non scuotere eccessivamente il filtro dell'aria e il serbatoio. In caso contrario, il filtro dell'aria e il serbatoio potrebbero deformarsi e danneggiarsi.
- Svuotare il serbatoio almeno una volta al giorno, anche se la frequenza di questa operazione dipende dalla quantità di polvere aspirata contenuta nel serbatoio. In caso contrario, la potenza aspirante si riduce e il motore potrebbe rompersi.
- Per svuotare il serbatoio, evitare di afferrare il gancio. Afferrando il gancio, esso potrebbe rompersi.

Sganciare e sollevare il coperchio del serbatoio. (Fig. 14)
Estrarre il sacchetto in polietilene dal serbatoio. (Fig. 15)

NOTA:

- Per svuotare il sacchetto in polietilene, estrarlo dal serbatoio con attenzione, in modo che non rimanga impigliato nella sporgenza all'interno del serbatoio, rompendosi.
- Svuotare il sacchetto in polietilene prima che sia completamente pieno. Una quantità eccessiva di polvere nel serbatoio potrebbe causare la rottura del sacchetto in polietilene.

Collegamento di un tubo flessibile

⚠ ATTENZIONE:

- Evitare di piegare forzatamente il tubo flessibile o di calpestarlo. Evitare di spostare l'aspiratore tirandolo per il tubo flessibile. Se il tubo flessibile viene manipolato forzatamente, calpestato o tirato, potrebbe rompersi o deformarsi.
- Per aspirare rifiuti di grandi dimensioni quali trucioli di piallatura, polveri di cemento o simili, utilizzare il tubo

flessibile con diametro interno di 38 mm (accessorio opzionale). L'uso del tubo flessibile con diametro interno di 28 mm può ostruire e danneggiare il tubo flessibile.

- Quando si rimuove il tubo flessibile dall'utensile, posizionare sempre il coperchio sull'apertura di montaggio.

Rimuovere il coperchio dall'apertura di montaggio. È possibile posizionare il coperchio sul gancio multifunzione mentre il tubo flessibile è collegato all'utensile. (Fig. 16)
Inserire il tubo flessibile nell'apertura di montaggio del serbatoio e ruotarlo in senso orario fino a quando non rimane bloccato. (Fig. 17)

USO

⚠ AVVERTENZA:

- Utilizzare sempre un respiratore P2.

⚠ ATTENZIONE:

- In caso di fuoriuscite di schiuma o liquidi dall'utensile, spegnerlo immediatamente. Se si prosegue l'utilizzo in queste condizioni, potrebbero verificarsi scosse elettriche e l'aspiratore potrebbe rompersi.

MANUTENZIONE

⚠ AVVERTENZA:

- Utilizzare sempre un respiratore P2 durante la manutenzione.

⚠ ATTENZIONE:

- Prima di effettuare operazioni di ispezione e manutenzione sull'utensile, verificare sempre di averlo spento e scollegato dall'alimentazione.
- Evitare assolutamente di usare benzina, diluenti, solventi, alcol o sostanze simili. In caso contrario, potrebbero verificarsi scoloriture, deformazioni o incrinature.
- L'ispezione tecnica, che comprende la verifica dei filtri, della tenuta all'aria e del meccanismo di controllo, deve essere eseguita almeno una volta all'anno da persone addestrate.
- Durante la manutenzione, tutti gli elementi contaminati che non possono essere adeguatamente puliti devono essere smaltiti. Tali elementi devono essere smaltiti in sacchetti impermeabili secondo le norme del proprio paese.
- Dopo l'utilizzo in una zona pericolosa, la parte esterna dell'utensile deve essere decontaminata mediante aspirazione e ripulita o trattata con sigillanti prima di poter procedere alla rimozione dell'utensile dalla zona pericolosa. Tutte le parti dell'utensile devono essere considerate contaminate se rimosse dalla zona pericolosa e devono essere adottate misure appropriate per evitare la dispersione di polvere.
- Sostituire il filtro dell'aria qualora lo stesso sia ostruito dalla polvere o nel caso in cui le prestazioni dell'aspiratore risultino ridotte.
- Controllare periodicamente i filtri. Se presentano lacerazioni, rimuoverli immediatamente.

Rimozione del filtro dell'aria

ATTENZIONE:

- Attendere circa 5 minuti in modo che la polvere nel serbatoio si depositi completamente sul fondo.
- Accertarsi che l'utensile sia scollegato.
- Evitare con attenzione che la polvere penetri all'interno del coperchio del serbatoio durante la rimozione del filtro dell'aria.

Sganciare il coperchio del serbatoio e rimuoverlo con cura. Posizionarlo capovolto. (Fig. 18)

Sbloccare i ganci del filtro muovendo la levetta di fermo. (Fig. 19)

Coprire i filtri dell'aria con un sacchetto di plastica. (Fig. 20)

Rimuovere con attenzione i filtri dell'aria dal coperchio del serbatoio e legare saldamente il sacchetto di plastica. (Fig. 21)

Montaggio del filtro dell'aria

Se i componenti del filtro dell'aria sono stati ottenuti separatamente, montarli come segue.

Posizionare il prefiltro sul filtro antipolvere. (Fig. 22)

Assicurarsi che i bordi del prefiltro e del filtro antipolvere siano posizionati correttamente. (Fig. 23)

Installazione del filtro dell'aria

Rimuovere la guarnizione.

Inserire i nuovi filtri dell'aria e fissarli con i ganci del filtro. (Fig. 24)

Ruotare la levetta di fermo per bloccare i filtri dell'aria. Posizionare il coperchio del serbatoio sul serbatoio e bloccarlo con i ganci. (Fig. 25)

AVVISO:

- Assicurarsi che i ganci siano posizionati correttamente sui filtri.

Pulizia dei sensori di livello (Fig. 26)

I sensori di livello rilevano quando il serbatoio è pieno di liquido. Pulire i sensori di livello con un panno morbido ogni qualvolta si sostituiscono i filtri dell'aria.

Pulizia dei filtri dell'aria

I filtri intasati causano prestazioni di aspirazione scadenti. Pulire periodicamente i filtri.

Per rimuovere polvere e particelle adese ai filtri, rimuovere il prefiltro dal filtro dell'aria e picchiettare più volte il prefiltro.

Di tanto in tanto, lavare il filtro antipolvere in acqua, risciacquare e lasciar asciugare completamente all'ombra prima dell'uso. Non lavare i filtri in lavatrice. (Fig. 27)

NOTA:

- Non strofinare o grattare il filtro antipolvere, il prefiltro o la valvola di tiraggio con oggetti duri quali spazzole o spatole.
- I filtri si consumano; si consiglia pertanto di tenere a disposizione filtri di ricambio.

Stoccaggio del cavo di alimentazione (Fig. 28 e 29)

Avvolgere il cavo di alimentazione intorno al gancio multifunzione o al gancio base.

Stoccaggio degli accessori

NOTA:

- Non applicare una forza eccessiva sugli accessori sostenuti dal supporto del tubo. In caso contrario, il supporto del tubo potrebbe danneggiarsi.

Il supporto del tubo può essere usato per conservare il tubo dritto, il tubo ricurvo e simili: basta inserire questi accessori al suo interno. (Fig. 30)

I tubi possono essere riposti nel supporto del tubo anche quando si interrompe l'uso dell'aspiratore per una pausa durante il lavoro. (Fig. 31)

È possibile posizionare il coperchio sul gancio multifunzione mentre il tubo flessibile è collegato all'utensile. (Fig. 32)

Stoccaggio del tubo flessibile (Fig. 33 e 7)

Il tubo flessibile può essere posizionato sul gancio base o sul gancio multifunzione.

Per preservare la sicurezza e l'affidabilità del prodotto, qualsiasi riparazione o intervento di manutenzione e regolazione deve essere eseguito dai centri assistenza autorizzati Makita utilizzando sempre ricambi Makita.

ACCESSORI OPZIONALI

ATTENZIONE:

- Si consiglia l'uso dei seguenti accessori per l'utensile Makita descritto in questo manuale. L'uso di qualsiasi altro accessorio potrebbe provocare lesioni personali. Utilizzare gli accessori esclusivamente per l'uso dichiarato.

Per l'assistenza e per ulteriori informazioni su tali accessori, rivolgersi al centro assistenza Makita di zona.

- Tubo flessibile
- Bocchette anteriori (22, 24, 38)
- Tubo dritto
- Ugello angolare
- Spazzola circolare
- Filtro antipolvere
- Valvola di tiraggio
- Prefiltro
- Gruppo dell'ugello
- Tubo ricurvo
- Sacchetto in polietilene
- Sacchetto del filtro
- Fascetta stringitubo
- Gancio per cintura completo
- Coperchio

NOTA:

- Alcuni degli accessori elencati potrebbero essere inclusi nella confezione dell'utensile come accessori standard. Gli accessori standard possono differire da paese a paese.

Rumorosità

ENG905-1

Il tipico livello di rumore ponderato A è determinato in conformità alla norma EN/IEC60704:

Livello di pressione sonora (L_{pA}): 72,5 dB (A)

Variazione (K): 2,5 dB (A)

Il livello di rumorosità durante il funzionamento può superare 80 dB (A).

Indossare una protezione acustica.

Vibrazione

ENG900-1

Il valore totale delle vibrazioni (somma vettoriale triassiale) è determinato in conformità alla norma EN/IEC60335:

Il valore di emissione di vibrazioni è inferiore a 2,5 m/s².

Solo per i paesi europei

ENH038-3

Dichiarazione di conformità CE**Makita dichiara che le macchine seguenti:**

Denominazione dell'utensile:

Aspiratore

N. modello/Tipo: VC2211M, VC3211M

conformi alle seguenti direttive europee:

2006/42/EC

Sono prodotte in conformità agli standard o ai documenti standardizzati riportati di seguito:

EN60335

Il documento tecnico ai sensi della Direttiva europea 2006/42/EC è disponibile presso:

Makita, Jan-Baptist Vinkstraat 2, 3070, Belgio

25. 11. 2014



Yasushi Fukaya

Direttore



Makita, Jan-Baptist Vinkstraat 2, 3070, Belgio

NEDERLANDS (Originele instructies)

Verklaring van het onderdelenoverzicht

- | | | |
|----------------------------|------------------------|---------------------------|
| 1. Zuigkrachtnstelknop | 10. Ontgrendelde stand | 19. Haak |
| 2. Keuzeknop slangdiameter | 11. Vergrendelde stand | 20. Dop |
| 3. Aan-uitschakelaar | 12. Wielvergrendeling | 21. Poederfilter |
| 4. Deksel van stopcontact | 13. Wielkje | 22. Demper |
| 5. Netsnoer | 14. Filterzak | 23. Voorfilter |
| 6. Slangklem | 15. Houderplaat | 24. Niveausensoren |
| 7. Snoerwikkelaar | 16. Polyethyleenzak | 25. Multifunctionele haak |
| 8. Aansluitmonden | 17. Tank | |
| 9. Slang | 18. Tankdeksel | |

TECHNISCHE GEGEVENS

Model		VC2211M/VC3211M			
Landen		EU	Zwitserland	Verenigd Koninkrijk	
Spanning	Volt	230-240	230-240	110	230-240
Stroomverbruik	Watt	1.050	1.050	1.050	1.050
Aangesloten belasting van stopcontact voor accessoires	Watt bij instelling op symbool 	2.400	1.100	600	1.900
	Watt bij instelling op symbool 	2.600	1.400	850	2.100
Totaal aangesloten belasting	Watt	3.450	2.150	1.650	2.950

Model		VC2211M	VC3211M
Volumestroom (lucht)	(slang \varnothing 28 mm x 3,5 m)	2,0 m ³ /min	
	(slang \varnothing 38 mm x 2,5 m)	3,5 m ³ /min	
Vacuüm		22 kPa	
Type beveiliging		IP X4 (spatwaterdicht)	
Inhoud	Stof	22 liter	32 liter
	Water	17 liter	27 liter
Afmetingen (l x b x h)		552 mm x 398 mm x 569 mm	552 mm x 398 mm x 685 mm
Nettogewicht		16,3 kg	16,9 kg
Veiligheidsklasse		Klasse I	

- Als gevolg van ons doorlopende onderzoeks- en ontwikkelingsprogramma, zijn de technische gegevens van dit gereedschap onderhevig aan veranderingen zonder voorafgaande kennisgeving.
- De technische gegevens kunnen van land tot land verschillen.
- Gewicht volgens EPTA-procedure 01/2003

Symbolen

END112-4

Hieronder staan de symbolen die voor het gereedschap worden gebruikt. Zorg ervoor dat u weet wat ze betekenen alvorens het gereedschap te gebruiken.



..... Alleen voor EU-landen
Geef elektrisch gereedschap niet met het huisvuil mee!
Volgens de Europese richtlijn inzake oude elektrische en elektronische apparaten en de toepassing daarvan binnen de nationale wetgeving, dient gebruikt elektrisch gereedschap gescheiden te worden ingezameld en te worden afgevoerd naar een recyclingbedrijf dat voldoet aan de geldende milieu-eisen.



..... Lees de gebruiksaanwijzing.



..... Besteed bijzondere zorg en aandacht!



..... Waarschuwing! De stofzuiger kan gevaarlijk stof bevatten.



..... Ga nooit op de stofzuiger staan.



..... Stofklasse M (gemiddeld). De stofzuigers zijn in staat om stofklassen L en M op te zuigen. Houd u aan de nationale

Gebruiksdoeleinden

ENE084-1

Het gereedschap is bedoeld om zowel nat als droog stof te verzamelen. Dit gereedschap is geschikt voor commercieel gebruik, bijvoorbeeld in hotels, scholen, ziekenhuizen, fabrieken, winkels, kantoren en verhuurbedrijven.

Netsnoer

ENF001-1

Het gereedschap mag uitsluitend worden aangesloten op een voeding met dezelfde spanning als aangegeven op het typeplaatje en werkt alleen op enkele-fase wisselstroom. Dit gereedschap moet tijdens gebruik zijn geaard om de gebruiker te beschermen tegen elektrische schokken. Gebruik uitsluitend verlengsnoeren met drie draden die zijn voorzien van geaarde stekkers en geaarde stopcontacten waarin de stekker van het gereedschap past.

VEILIGHEIDSWAARSCHUWINGEN SPECIFIEK VOOR EEN STOFZUIGER

ENB119-5

⚠ WAARSCHUWING! BELANGRIJK, LEES VÓÓR GEBRUIK alle veiligheidswaarschuwingen en alle instructies ZORGVULDIG DOOR. Het niet volgen van de waarschuwingen en instructies kan leiden tot elektrische schokken, brand en/of ernstig letsel.

1. **Merk op alvorens de stofzuiger te gebruiken, dat deze stofzuiger door twee personen moet worden bediend die goed zijn geïnstrueerd over het gebruik van deze stofzuiger.**
2. **Gebruik het stopcontact van de stofzuiger uitsluitend voor doeleinden die in de instructies worden genoemd.**
3. **Als er schuim of vloeistof uit komt, schakelt u het apparaat onmiddellijk uit.**
4. **Reinig de waterniveaubegrenzer regelmatig en controleer het op tekenen van beschadiging.**
5. **Gebruik de stofzuiger nooit zonder het filter. Vervang een beschadigd filter onmiddellijk.**
6. **GEBRUIK VAN EEN VERLENGSNOER.** Als u een verlengsnoer gebruikt vanwege de grote afstand tot het stopcontact, moet u een verlengsnoer gebruiken dat voldoende dik, maar niet te lang is omdat anders de prestaties van de stofzuiger negatief kunnen worden beïnvloed. Voor gebruik buitenshuis, gebruikt u een verlengsnoer dat geschikt is voor gebruik buitenshuis.
7. **WAARSCHUWING VOOR SPANNING:** Alvorens de stofzuiger aan te sluiten op een voedingsbron (stopcontact, enz.), controleert u of de voedingsspanning hetzelfde is als de spanning aangegeven op het typeplaatje op de stofzuiger. Een voedingsbron met een hogere spanning dan is aangegeven op het typeplaatje op de stofzuiger, kan leiden tot ERNSTIG LETSEL van de gebruiker en tevens tot beschadiging van de stofzuiger. Bij twijfel, **HET NETSNOER VAN DE STOFZUIGER NIET AANSLUITEN.** Het gebruik van een voedingsbron met een lagere spanning dan is aangegeven op het typeplaatje op de stofzuiger, is schadelijk voor de motor.

8. **VOORKOM ONBEDOELD STARTEN.** Controleer of de schakelaar uit staat voordat u de stekker van het netsnoer in het stopcontact steekt.
9. **Probeer nooit brandbare stoffen, vuurwerk, brandende sigaretten, hete as, hete metaaldeeltjes en scherpe voorwerpen zoals scheermesjes, naalden, glasscherven en dergelijke op te zuigen.**
10. **GEBRUIK DE STOFZUIGER NOOIT IN DE BUURT VAN BENZINE, GAS, VERF, LIJM OF ANDERE ZEER EXPLOSIEVE STOFFEN.** De schakelaar kan vonken veroorzaken bij het in- en uitschakelen. En hetzelfde geldt voor de collector in de motor tijdens gebruik. Hierdoor kan een gevaarlijke explosie optreden.
11. **Zuig nooit giftige, kankerverwekkende, ontbrandbare of andere gevaarlijke stoffen op, zoals asbest, barium, beryllium, lood, pesticiden of andere stoffen die schadelijk zijn voor de gezondheid.**
12. **Gebruik de stofzuiger nooit buitenshuis in de regen.**
13. **Gebruik het gereedschap niet in de buurt van verwarmingsbronnen (fornuis, enz.).**
14. **BESCHERM U TEGEN ELEKTRISCHE SCHOKKEN.** Vermijd lichamenlijk contact met de geaarde oppervlakten. Bijvoorbeeld, het buitenoppervlak van leidingen, radiators, kooktoestellen, koelkasten.
15. **Blokkeer de koelventilatieopeningen niet.** Deze ventilatieopeningen zorgen voor het koelen van de motor. Blokkeren moet altijd worden voorkomen omdat anders de motor doorbrandt door gebrek aan ventilatie.
16. **Zorg altijd voor een stevige stand en goede lichaamsbalans.**
17. **BEHANDEL HET NETSNOER VOORZICHTIG.** Draag de stofzuiger nooit aan het netsnoer en trek nooit aan het netsnoer om zo de stekker uit het stopcontact te trekken. Houd het netsnoer uit de buurt van hitte, olie en scherpe randen. Inspecteer het netsnoer van de stofzuiger regelmatig en indien het beschadigd is, laat u het repareren door een erkende elektrotechnisch reparateur. Inspecteer verlengsnoeren regelmatig en vervang ze indien beschadigd.
18. **U mag de slang niet dubbelvouwen, eraan trekken of erop staan.**
19. **Stop de stofzuiger onmiddellijk als u merkt dat hij slecht presteert of als u iets abnormaals opmerkt tijdens gebruik.**
20. **TREK DE STEKKER VAN DE STOFZUIGER UIT HET STOPCONTACT.** Wanneer hij niet in gebruik is, alvorens onderhoud te plegen en bij het verwisselen van accessoires.
21. **Reinig en onderhoud de stofzuiger onmiddellijk na elk gebruik om hem in de allerbeste conditie te houden.**
22. **ONDERHOUD DE STOFZUIGER MET ZORG.** Houd de stofzuiger schoon voor betere prestaties en veiliger gebruik. Houdt u aan de instructies voor het verwisselen van de accessoires. Houd de handgrepen droog, schoon en vrij van olie en vetten.

23. **CONTROLEER BESCHADIGDE ONDERDELEN.** Zonder de stofzuiger verder te gebruiken, moet een beschermkap of ander onderdeel dat beschadigd is eerst goed worden onderzocht om te beoordelen of het goed werkt en zijn beoogde functie kan uitvoeren. Controleer of bewegende delen goed uitgelijnd zijn en niet vastgelopen zijn, of onderdelen niet kapot zijn en stevig gemonteerd zijn, en enige andere situatie die van invloed kan zijn op de werking ervan. Een beschermkap of ander onderdeel dat beschadigd is, dient vakkundig te worden gerepareerd of vervangen door een erkend servicecentrum, behalve indien anders aangegeven elders in deze gebruiksaanwijzing. Laat een kapotte aan-uitschakelaar vervangen door een erkend servicecentrum. Gebruik de stofzuiger niet als hij niet met de aan-uitschakelaar kan worden in- en uitgeschakeld.
24. **VERVANGINGSONDERDELEN.** Als u het apparaat laat nakijken, gebruik dan alleen identieke vervangingsonderdelen.
25. **DE STOFZUIGER OPBERGEN.** Als de stofzuiger niet in gebruik is, moet deze binnenshuis worden opgeborgen.
26. **Wees vriendelijk voor uw stofzuiger.** Een ruwe behandeling kan leiden tot een defect in zelfs de meest stevig gebouwde stofzuiger.
27. **Probeer niet de buitenkant of binnenkant van de stofzuiger te reinigen met benzine, thinner of chemische reinigingsmiddelen.** Hierdoor kunnen barsten en verkleuringen worden veroorzaakt.
28. **Gebruik de stofzuiger niet in een afgesloten ruimte waarin brandbare, explosieve of giftige dampen worden afgegeven door verf op oliebasis, thinner, benzine, sommige mottenbestrijdingsmiddelen, enz., of in een ruimte waarin explosief stof aanwezig is.**
29. **Laat het netsnoer van de stofzuiger niet op de vloer liggen nadat u klaar bent met stofzuigen.** U kunt erover struikelen of het kan schade toebrengen aan de stofzuiger.
30. **Gebruik dit of enig ander gereedschap niet wanneer u onder invloed bent van drugs of alcohol.**
31. **Als basisveiligheidsregel gebruikt u een beschermende bril of een veiligheidsbril met zijstukken.**
32. **Gebruik onder stoffige werkomstandigheden een stofmasker.**
33. **Dit gereedschap is niet geschikt voor gebruik door personen, waaronder kinderen, met een verminderd lichamelijk, zintuiglijk of geestelijk vermogen, of gebrek aan kennis en ervaring.**
34. **Jonge kinderen moeten onder toezicht staan om ervoor te zorgen dat ze niet met de stofzuiger spelen.**
35. **Pak het netsnoer of de stofzuiger nooit vast met natte handen.**
36. **Wees uiterst voorzichtig wanneer u de stofzuiger op een trap gebruikt.**
37. **Gebruik de stofzuiger nooit als een stoel of werkbank.** Het gereedschap kan omvallen waardoor persoonlijk letsel kan ontstaan.

BEWAAR VOOR LATERE NASLAG

⚠ WAARSCHUWING:

Laat u **NIET** misleiden door een vals gevoel van comfort en bekendheid met het gereedschap (na veelvuldig gebruik) en neem alle veiligheidsvoorschriften van het betreffende product altijd strikt in acht. **VERKEERD GEBRUIK** of het niet volgen van de veiligheidsinstructies in deze gebruiksaanwijzing kan leiden tot ernstig persoonlijk letsel.

BESCHRIJVING VAN DE FUNCTIES

⚠ WAARSCHUWING:

- **Alvorens de stekker van de stofzuiger in het stopcontact te steken, controleert u altijd of de stofzuiger uitgeschakeld is.** Als u de stekker in het stopcontact steekt terwijl de stofzuiger ingeschakeld is, kan de stofzuiger onverwachts starten waardoor ernstig persoonlijk letsel kan ontstaan.

In- en uitschakelen (zie afb. 1)

Om de stofzuiger te starten, draait u de aan-uitschakelaar naar de stand "I". Om hem te stoppen, draait u de aan-uitschakelaar naar de stand "O" (zie afb. 2).

De zuigkracht kan worden ingesteld aan de hand van de vereisten van uw werkzaamheden.

De zuigkracht kan worden verhoogd door de zuigkrachtinstelknop te draaien van het symbool ⇄ naar het symbool ↻.

Stel daarna de keuzeknop voor de slangdiameter in op de diameter van de slang die u gaat gebruiken.

Keuzeknop slangdiameter

Draai de keuzeknop naar de kant van de slangdiameter die u gaat gebruiken.

OPMERKING:

Zet de keuzeknop niet in het midden. Draai hem altijd naar één van de kanten overeenkomstig de slangdiameter.

Waarschuwingspiepton

Er zijn twee soorten pieptonen. Eén is een korte piepton en de ander is een lange piepton.

Als de luchtstroomsnelheid daalt tot onder 20 m/s, brengt de stofzuiger uit veiligheidsoverweging korte waarschuwingspieptonen voort. Wanneer u deze hoort, controleert u instelling van de keuzeknop voor de slangdiameter en of de zuigkracht niet te laag is ingesteld. Als de pieptonen voortgebracht blijven worden, voert u onderhoud uit of neemt u contact op met uw lokale servicecentrum.

Als de tank is gevuld met vloeistof, brengt de stofzuiger een lange piepton voort.

Als de tank vol is en de piepton wordt voortgebracht, schakelt u de stofzuiger uit en maakt u de tank leeg.

Elektrisch gereedschap aansluiten (zie afb. 3 en 2)

WAARSCHUWING:

- Controleer of zowel de stofzuiger als het elektrisch gereedschap zijn uitgeschakeld voordat u aansluit of loskoppelt. Als u het elektrisch gereedschap aansluit op de stofzuiger terwijl beide zijn ingeschakeld, kunnen deze onverwacht en plotseling starten waardoor ernstig persoonlijk letsel kan ontstaan.
- Sluit nooit een elektrisch gereedschap met een hoger ingangsvermogen dan is opgegeven in de "TECHNISCHE GEGEVENS" aan op het stopcontact van de stofzuiger door de zuigkrachtnestelknop te draaien. Door een elektrisch gereedschap aan te sluiten met een hoger ingangsvermogen dan aangegeven, kan oververhitting en beschadiging van de stofzuiger worden veroorzaakt.
- Als een geaard gereedschap wordt aangesloten, steekt u een geaarde stekker in het stopcontact van de stofzuiger.

Op de stofzuiger kan een elektrisch gereedschap worden aangesloten tot het ingangsvermogen aangegeven in de "TECHNISCHE GEGEVENS".

1. Om een elektrisch gereedschap aan te sluiten, opent u het deksel van het stopcontact en steekt u de stekker van het elektrisch gereedschap in het stopcontact van de stofzuiger.
2. Als u een elektrische gereedschap aansluit, bevestigt u het netsnoer en de slang op regelmatige afstanden aan elkaar met slangklemmen. Zo wordt voorkomen dat de slang verstrikt raakt met het netsnoer (zie afb. 4).
3. Draai de aan-uitschakelaar naar de stand "AUTO".
4. Draai de zuigkrachtnestelknop naar de stand die geschikt is voor het ingangsvermogen van het elektrisch gereedschap dat u gaat gebruiken.
5. Door het aangesloten elektrisch gereedschap in en uit te schakelen, zal tegelijkertijd de stofzuiger worden in- en uitgeschakeld. De stofzuiger werkt nog enkele seconden door nadat het elektrisch gereedschap is uitgeschakeld.
6. Trek na gebruik de stekker van het netsnoer van het elektrisch gereedschap uit het stopcontact van de stofzuiger.
7. Schakel de stofzuiger na gebruik uit.

Automatische zuigonderbreking tijdens zuigen

WAARSCHUWING:

- **Geen schuim of zeepoplossingen opzuigen.** Door schuim of zeepoplossingen op te zuigen, kan schuim uit de luchtuitlaat komen voordat de automatische zuigonderbreking in werking treedt. Voortdurend gebruik onder deze omstandigheden, kan leiden tot een elektrische schok en het defect raken van de stofzuiger.

De stofzuiger heeft een mechanisme dat voorkomt dat water doorstroomt naar de motor wanneer meer dan een bepaalde hoeveelheid water wordt opgezogen.

Als de tank vol zit met vloeistof, brengt de stofzuiger een lange pieptoon voort. Wanneer deze pieptoon klinkt, schakelt u de stofzuiger uit en maakt u de tank leeg.

Gebruik van de snoerwikkelaar

LET OP:

- **Let er bij het sluiten van de snoerwikkelaar op dat uw vingers niet ertussen komen.** Als u dat niet doet, kan dit leiden tot persoonlijk letsel.

KENNISGEVING:

- Oefen geen buitensporige kracht uit op de snoerwikkelaar. Door de buitensporige kracht kan de snoerwikkelaar worden beschadigd. Sluit de snoerwikkelaar als deze niet in gebruik is.

Door de snoerwikkelaar te openen kunt u deze als volgt gebruiken.

1. Het netsnoer opbergen (zie afb. 5)

KENNISGEVING:

- **Gebruik de stofzuiger of een aangesloten elektrisch gereedschap niet terwijl het netsnoer op de snoerwikkelaar is gewikkeld.** Door de stofzuiger of het aangesloten elektrisch gereedschap te gebruiken terwijl het netsnoer op de snoerwikkelaar is gewikkeld, kan het netsnoer worden beschadigd.

2. De aansluitmonden opbergen (zie afb. 6)

De aansluitmonden 22, 24 en 38 kunnen worden opgeborgen (maximaal twee tegelijkertijd).

3. De slang opbergen (zie afb. 7)

4. **Een elektrisch gereedschap van een redelijk formaat, zoals een cirkelzaag, opbergen in de snoerwikkelaar (zie afb. 8).**

Het wieltje vergrendelen en ontgrendelen (zie afb. 9)

Om het wieltje te vergrendelen, drukt u de wielvergrendeling omlaag zodat het wieltje niet meer kan draaien. Om het wieltje te ontgrendelen, trekt u de wielvergrendeling omhoog.

Het wieltje vergrendelen is handig bij het opbergen van de stofzuiger, tijdens het halverwege stoppen van de werkzaamheden en het stil laten staan van de stofzuiger. Bedien de wielvergrendeling met de hand.

KENNISGEVING:

- Zorg er bij het verplaatsen van de stofzuiger voor dat het wieltje ontgrendeld is. Als u de stofzuiger verplaatst terwijl het wieltje vergrendeld is, kan het wieltje beschadigd raken.

Dop

Er zit een dop op de slangaansluitopening. De dop voorkomt dat het opgezogen stof uit de stofzuiger kan komen.

DE ONDERDELEN MONTEREN

WAARSCHUWING:

- De stofzuiger kan gevaarlijk stof bevatten. Gebruik bij het vervangen van filterelementen en de stofzak altijd een P2-ademhalingsapparaat.
- Controleer altijd of de stofzuiger is uitgeschakeld en de stekker uit het stopcontact is getrokken alvorens enige werkzaamheden aan de stofzuiger uit te voeren.

- Schakel de stofzuiger nooit in voordat alle filters en de stofzak volledig zijn aangebracht en het bedieningsorgaan voor de volumestroom is getest.

De filterzak aanbrengen en weggoaien

WAARSCHUWING:

- Gebruik altijd een P2-ademhalingsapparaat.
- Bij gebruik van een filterzak, gebruikt u tevens het luchtfilter dat af-fabriek in het gereedschap is aangebracht. Als u het luchtfilter niet gebruikt, kunnen abnormaal geluid en warmte worden veroorzaakt, waardoor brand kan ontstaan.

LET OP:

- Zuig nooit water of andere vloeistoffen of natte stof op wanneer de filterzak is aangebracht. Door dergelijke materialen op te zuigen, kan de filterzak scheuren.
1. Vouw de filterzak uit (**zie afb. 10**).
 2. Lijn de opening van de filterzak uit met de zuigopening van de stofzuiger (**zie afb. 11**).
 3. Steek het kartonnen deel van de filterzak zodanig in het gereedschap dat het aan het uiteinde zit, voorbij het uitsteeksel.

Als u de filterzak wilt weggoaien, trekt u aan de rand van de mond van de filterzak zodat de mondopening wordt afgesloten door papier.

De polyethyleenzak aanbrengen

De stofzuiger kan ook worden gebruikt met een polyethyleenzak. Door het gebruik van een polyethyleenzak is het gemakkelijker de tank te legen zonder uw handen vuil te maken. Spreid de polyethyleenzak uit in de binnenkant van de tank. Steek de rand van de polyethyleenzak tussen de houderplaat en de wand van de tank en trek hem rond de inlaatopening van de slang (**zie afb. 12**). Spreid de polyethyleenzak rond de bovenrand van de tank (**zie afb. 13**).

Haak de andere zijde van de polyethyleenzak rond de bovenrand van de tank zodat de haak van het voorfilter kan aangrijpen en stevig kan vergrendelen.

OPMERKING:

- Een polyethyleenzak die in de winkel verkrijgbaar is, kan worden gebruikt. Een polyethyleenzak van 0,04 mm of dikker wordt aanbevolen.
- Door te veel stof kan de polyethyleenzak gemakkelijk scheuren, dus vul de zak niet tot meer dan de helft van zijn maximale inhoud.

De polyethyleenzak weggoaien

WAARSCHUWING:

- Zorg er altijd voor dat de stofzuiger is uitgeschakeld en de stekker uit het stopcontact is getrokken alvorens de polyethyleenzak te legen. Als u dat niet doet, kan een elektrische schok en ernstig persoonlijk letsel worden veroorzaakt.

LET OP:

- Stel het luchtfilter en de tank niet bloot aan sterk stoten. Sterk stoten kan leiden tot vervormingen en beschadigingen van het luchtfilter en de tank.
- Leeg de tank ten minste eenmaal per dag, afhankelijk van de hoeveelheid opgezogen stof in de tank. Anders

zal de zuigkracht afnemen en kan de motor kapot gaan.

- Pak niet de haak beet wanneer u de tank wilt legen. Als u de haak beetpakt kan de haak afbreken.
- Ontgrendel en open het tankdeksel (**zie afb. 14**).
Haal de polyethyleenzak uit de tank (**zie afb. 15**).

OPMERKING:

- Haal bij het legen de polyethyleenzak voorzichtig uit de tank zodat de polyethyleenzak niet kan vasthaken achter de uitsteeksel binnenin de tank.
- Leeg de polyethyleenzak voordat deze vol raakt. Te veel stof in de tank kan ertoe leiden dat de polyethyleenzak scheurt.

De slang aansluiten

LET OP:

- Buig de slang niet sterk en ga er niet op staan. Verplaats de stofzuiger nooit door aan de slang te trekken. De slang sterk buigen, erop staan en eraan trekken kan ertoe leiden dat de slang kapot gaat of vervormd raakt.
 - Bij het opzuigen van groot afval, zoals houtkrullen, betonstukjes en dergelijke anders dan klein afval, gebruikt u de slang met een binnendiameter van 38 mm (optioneel accessoire). Bij gebruik van de slang met een binnendiameter van 28 mm kan de slang verstopt en beschadigd raken.
 - Plaats altijd de dop op de slangaansluitopening nadat u de slang van de stofzuiger af hebt gehaald.
- Verwijder de dop vanaf de slangaansluitopening. U kunt de dop bewaren op de multifunctionele haak terwijl de slang is aangesloten op de stofzuiger (**zie afb. 16**).
Steek de slang in de slangaansluitopening van de tank en draai hem rechtersom tot hij wordt vergrendeld (**zie afb. 17**).

BEDIENING

WAARSCHUWING:

- Gebruik altijd een P2-ademhalingsapparaat.

LET OP:

- Als er schuim of vloeistof uit de stofzuiger komt, schakelt u deze onmiddellijk uit. Voortdurend gebruik onder deze omstandigheden, kan leiden tot een elektrische schok en het defect raken van de stofzuiger.

ONDERHOUD

WAARSCHUWING:

- Gebruik altijd een P2-ademhalingsapparaat tijdens de onderhoudswerkzaamheden.

LET OP:

- Zorg er altijd voor dat het gereedschap is uitgeschakeld en de stekker uit het stopcontact is getrokken, voordat u een inspectie of onderhoud uitvoert.
- Gebruik nooit benzine, wasbenzine, thinner, alcohol, enz. Dit kan leiden tot verkleuren, vervormen of barsten.
- Een technische inspectie, inclusief een inspectie van de filters, de luchtdichtheid en het

bedieningsmechanisme, moet ten minste eenmaal per jaar worden uitgevoerd door een opgeleid persoon.

- Tijdens onderhoud moeten alle verontreinigde onderdelen die niet schoongemaakt kunnen worden, worden weggegooid. Dergelijke onderdelen moeten worden weggegooid in ondoorlatende zakken in overeenstemming met de regelgeving in uw land.
- Na de werkzaamheden in een gevaarlijk gebied, moet de buitenkant van het gereedschap worden gereinigd door middel van stofzuigen en schoon vegen, of met afschijfmiddel worden behandeld, voordat het gereedschap uit het gevaarlijke gebied wordt verwijderd. Bij verwijdering uit het gevaarlijke gebied moeten alle onderdelen van het gereedschap als verontreinigd worden beschouwd, en moet toepasselijke actie worden ondernomen om verspreiding van het stof te voorkomen.
- Vervang het luchtfilter wanneer het luchtfilter verstopt is met stof of u vermoedt dat de prestaties van de stofzuiger achteruit gaan.
- Controleer de filters regelmatig. Als er een scheur in zit, vervangt u hem onmiddellijk.

Het luchtfilter verwijderen

LET OP:

- Wacht ongeveer 5 minuten zodat het stof in de tank volledig is neergedwarreld.
- Zorg ervoor dat de stekker uit het stopcontact is getrokken.
- Wees voorzichtig bij het verwijderen van het luchtfilter dat het stof niet in het tankdeksel terechtkomt.

Maak de haken van het tankdeksel los en haal dit van de tank af. Leg hem ondersteboven (zie afb. 18).

Ontgrendel de filterhaken door de filtervergrendeling omhoog te zetten (zie afb. 19).

Bedek de luchtfilters met een plastic zak (zie afb. 20).

Verwijder de luchtfilters voorzichtig uit het tankdeksel en knoop de plasticzak stevig dicht (zie afb. 21).

Het luchtfilter in elkaar zetten

Als het luchtfilter in losse onderdelen wordt geleverd, zet u deze als volgt in elkaar.

Plaats het voorfilter over het poederfilter (zie afb. 22).

Zorg ervoor dat de randen van het voorfilter en poederfilter goed zijn geplaatst (zie afb. 23).

Het luchtfilter aanbrengen

Veeg het afdichtvlak schoon.

Plaats de nieuwe luchtfilters en zet ze vast met de filterhaken (zie afb. 24).

Zet de filtervergrendeling omlaag om de luchtfilters te vergrendelen.

Plaats het tankdeksel op de tank en zet het vast met de haken (zie afb. 25).

OPMERKING:

- Zorg ervoor dat de haken van de filters in de juiste stand zijn geplaatst.

De niveausensors schoonmaken (zie afb. 26)

De niveausensors detecteren vloeistof wanneer de tank vol raakt met vloeistof. Maak de niveausensors regelmatig

schoon met een zachte doek wanneer u de luchtfilters vervangt.

De luchtfilters schoonmaken

Een verstopt luchtfilter veroorzaakt slechte zuigprestaties. Maak de filters regelmatig schoon.

Om stof en deeltjes die zich aan de filters hechten te verwijderen, verwijdt u het voorfilter uit het luchtfilter. En tikt u meerdere keren tegen het voorfilter.

Was het poederfilter af en toe in water, spoel schoon en droog grondig in de schaduw alvorens het weer te gebruiken. Was de filters nooit in een wasmachine (zie afb. 27).

OPMERKING:

- Wrijf en kras niet met harde voorwerpen, zoals een borstel of een spatel, over het poederfilter, het voorfilter of de demper.
- De filters zijn verbruiksartikelen en wij adviseren u enkele vervangingsfilters op voorraad te houden.

Het netsnoer opbergen (zie afb. 28 en 29)

Wikkel het netsnoer om de multifunctionele haak of de snoerwikkelaar.

Accessoires opbergen

OPMERKING:

- Oefen geen buitensporige kracht uit op de accessoires die op de buishouder zijn geplaatst. Als een buitensporige kracht op deze accessoires wordt uitgeoefend, kan de buishouder worden beschadigd.

De buisgaten kunnen worden gebruikt om de rechte buis, de gebogen buis en dergelijke op te bergen door deze accessoires erin te steken (zie afb. 30).

De buizen kunnen ook gedurende een pauze in de werkzaamheden op de buishouder worden gestoken (zie afb. 31).

U kunt de dop bewaren op de multifunctionele haak terwijl de slang is aangesloten op de stofzuiger (zie afb. 32).

De slang opbergen (zie afb. 33 en 7)

De slang kan worden gehangen aan de snoerwikkelaar of de multifunctionele haak.

Om de VEILIGHEID en BETROUWBAARHEID van het gereedschap te handhaven, dienen alle reparaties, onderhoud en afstellingen te worden uitgevoerd door een erkend Makita-servicecentrum, en altijd met gebruikmaking van originele Makita-vervangingsonderdelen.

VERKRIJGBARE ACCESSOIRES

LET OP:

- Deze accessoires of hulpstukken worden aanbevolen voor gebruik met het Makita-gereedschap dat in deze gebruiksaanwijzing wordt beschreven. Het gebruik van andere accessoires of hulpstukken kan gevaar voor persoonlijk letsel opleveren. Gebruik de accessoires of hulpstukken uitsluitend voor de aangegeven gebruiksdoeleinden.

Mocht u meer informatie willen hebben over deze accessoires, dan kunt u contact opnemen met uw plaatselijke Makita-servicecentrum.

- Slang

- Aansluitmonden (22, 24 of 38)
- Rechte buis
- Hoekmondstuk
- Ronde borstel
- Poederfilter
- Dempser
- Voorfilter
- Mondstuk, compleet
- Gebogen buis
- Polyethyleenzak
- Filterzak
- Slangklem
- Riemhaak, compleet
- Dop

OPMERKING:

- Sommige items op de lijst kunnen zijn inbegrepen in de doos van het gereedschap als standaard toebehoren. Zij kunnen van land tot land verschillen.

Geluid ENG905-1

De typische, A-gewogen geluidsniveaus zijn gemeten volgens EN/IEC60704:

Geluidsdrumniveau (L_{pA}): 72,5 dB (A)

Onzekerheid (K): 2,5 dB (A)

Het geluidsniveau kan tijdens gebruik hoger worden dan 80 dB (A).

Draag gehoorbescherming.

Trillingen ENG900-1

De totale trillingswaarde (triaxiale vectorsom) zoals vastgesteld volgens EN/IEC60335:

De emissietrillingswaarde is lager dan 2,5 m/s².

Alleen voor Europese landen ENH038-3

EU-verklaring van conformiteit

Makita verklaart dat de volgende machine(s):

Aanduiding van de machine:

Stofzuiger

Modelnr./Type: VC2211M, VC3211M

Voldoen aan de volgende Europese richtlijnen:

2006/42/EG

Deze zijn gefabriceerd in overeenstemming met de volgende normen of genormaliseerde documenten:

EN60335

Het technische bestand volgens 2006/42/EG is verkrijgbaar bij:

Makita, Jan-Baptist Vinkstraat 2, 3070, België

25. 11. 2014



Yasushi Fukaya

Directeur



Makita, Jan-Baptist Vinkstraat 2, 3070, België

ESPAÑOL (Instrucciones originales)

Explicación de los dibujos

- | | | |
|--|--------------------------|---------------------------|
| 1. Mando de ajuste de la fuerza de succión | 8. Manguitos frontales | 17. Depósito |
| 2. Dial de selección del diámetro de la manguera | 9. Manguera | 18. Cubierta del depósito |
| 3. Palanca del interruptor | 10. Posición libre | 19. Gancho |
| 4. Tapa de salida | 11. Posición de bloqueo | 20. Tapa |
| 5. Cable de alimentación | 12. Palanca de bloqueo | 21. Filtro de polvo |
| 6. Abrazadera de la manguera | 13. Rueda | 22. Amortiguador |
| 7. Gancho de la base | 14. Bolsa de filtro | 23. Filtro previo |
| | 15. Placa de soporte | 24. Sensores de nivel |
| | 16. Bolsa de polietileno | 25. Gancho multiusos |

ESPECIFICACIONES

Modelo		VC2211M/VC3211M			
Países		UE	Suiza	Reino Unido	
Voltaje	Voltios	230-240	230-240	110	230-240
Consumo de energía	Vatios	1.050	1.050	1.050	1.050
Carga conectada para la toma de corriente del aparato	Vatios en el modo del símbolo 	2.400	1.100	600	1.900
	Vatios en el modo del símbolo 	2.600	1.400	850	2.100
Carga conectada total	Vatios	3.450	2.150	1.650	2.950


Modelo		VC2211M	VC3211M
Flujo de volumen (aire)	Con manguera de $\varnothing 28$ mm X 3,5 m	2,0 m ³ /min	
	Con manguera de $\varnothing 38$ mm X 2,5 m	3,5 m ³ /min	
Vacío		22 kPa	
Tipo de protección		IP X4 (a prueba de salpicaduras)	
Capacidad de recuperación	Polvo	22 L	32 L
	Agua	17 L	27 L
Dimensiones (Largo x Ancho x Alto)		552 mm x 398 mm x 569 mm	552 mm x 398 mm x 685 mm
Peso neto		16,3 kg	16,9 kg
Clase de seguridad		Clase I	


- Debido a nuestro programa continuo de investigación y desarrollo, las especificaciones aquí descritas están sujetas a cambios sin previo aviso.
- Las especificaciones pueden ser diferentes de un país a otro.
- Peso de acuerdo con el procedimiento EPTA 01/2003


Símbolos


END112-4


Se utilizan los siguientes símbolos para el equipo. Asegúrese de que comprende su significado antes del uso.

 Lea el manual de instrucciones.

 Preste especial cuidado y atención.

 ¡Advertencia! La aspiradora puede contener polvo peligroso.

 Nunca se suba a la aspiradora.

 Polvo de clase M (media). Las aspiradoras pueden recoger polvo de

clase L y M. Respete las normativas de su país relacionadas con el polvo y salud y seguridad laboral.



..... Sólo para países de la Unión Europea ¡No deseche los aparatos eléctricos junto con los residuos domésticos!

De conformidad con la Directiva Europea sobre residuos de aparatos eléctricos y electrónicos y su aplicación de acuerdo con la legislación nacional, las herramientas eléctricas cuya vida útil haya llegado a su fin se deberán recoger por separado y trasladar a una planta de reciclaje que cumpla con las exigencias ecológicas.

Uso previsto

ENE084-1

La herramienta se ha diseñado para recoger polvo húmedo y seco. Esta herramienta es adecuada para un uso comercial, por ejemplo en hoteles, escuelas, hospitales, fábricas, tiendas, oficinas y negocios de alquiler.

Alimentación

ENF001-1

La herramienta debe conectarse solamente a una fuente de alimentación de la misma tensión que la indicada en la placa de características, y sólo puede funcionar con corriente alterna monofásica. Esta herramienta debe estar conectada a tierra (a masa) durante su uso para proteger al operario de descargas eléctricas. Utilice sólo cables prolongadores de tres hilos que tengan enchufes con conexión a tierra de tres clavijas y receptáculos de tres clavijas que admitan el enchufe de la herramienta.

ADVERTENCIAS DE SEGURIDAD DE LA ASPIRADORA

ENB119-5

⚠ ¡ADVERTENCIA! IMPORTANTE, LEA CON CUIDADO todas las instrucciones y advertencias de seguridad ANTES DEL USO. La no observancia de las advertencias y las instrucciones puede provocar descargas eléctricas, incendios y/o lesiones graves.

1. **Antes del uso, asegúrese de que la aspiradora sea utilizada por personas que hayan recibido una instrucción adecuada sobre el uso de esta aspiradora.**
2. **Utilice únicamente la toma de la aspiradora para las finalidades especificadas en las instrucciones.**
3. **Si se expulsa espuma/líquido, apague la herramienta inmediatamente.**
4. **Limpie periódicamente el dispositivo de limitación del nivel del agua y examínelo en busca de signos de daños.**
5. **No utilice la aspiradora sin el filtro. Sustituya un filtro dañado inmediatamente.**
6. **USO DE UN CABLE PROLONGADOR.** Cuando utilice un cable prolongador a causa de la gran distancia a la fuente de alimentación, intente emplear un cable que tenga un grosor suficiente pero que no sea demasiado largo, ya que el rendimiento de la aspiradora podría verse afectado. Para aplicaciones en exteriores, utilice un cable prolongador adecuado para su uso en exteriores.
7. **ADVERTENCIA DE VOLTAJE:** Antes de conectar la aspiradora a una fuente de alimentación (enchufe, toma de corriente, etc.) asegúrese de que el voltaje suministrado sea el mismo que el que se especifica en la placa de nombre de la aspiradora. Una fuente de alimentación con un voltaje superior al especificado para la aspiradora puede tener como resultado **LESIONES GRAVES** para el operador, así como daños en la aspiradora. En caso de duda, **NO ENCHUFE LA ASPIRADORA.** El uso de una fuente de alimentación con un voltaje inferior a la clasificación de la placa de nombre es perjudicial para el motor.
8. **EVITE LA PUESTA EN MARCHA ACCIDENTAL.** Asegúrese de que el interruptor esté en la posición de apagado antes de enchufar la herramienta.
9. **No intente aspirar materiales inflamables, productos de pirotecnia, cigarrillos encendidos, cenizas calientes, virutas de metal calientes, materiales afilados como cuchillas, agujas, cristales rotos o productos parecidos.**
10. **NUNCA UTILICE LA ASPIRADORA CERCA DE GASOLINA, GAS, PINTURA, ADHESIVOS U OTRAS SUSTANCIAS ALTAMENTE EXPLOSIVAS.** El interruptor provoca chispas cuando se enciende o se apaga. También lo hace el conmutador del motor durante su funcionamiento. **Se puede producir una explosión peligrosa.**
11. **Nunca aspire productos tóxicos, cancerígenos, combustibles u otros productos peligrosos como amianto, arsénico, bario, berilio, plomo, pesticidas u otros materiales que pongan en peligro la salud.**
12. **Nunca utilice la aspiradora en exteriores bajo la lluvia.**
13. **No la utilice cerca de fuentes de calor (estufas, etc.).**
14. **PROTÉJASE DE DESCARGAS ELÉCTRICAS.** Evite el contacto del cuerpo con superficies conectadas a tierra. Por ejemplo, tuberías, radiadores, fogones de cocina y frigoríficos.
15. **No bloquee los orificios de refrigeración.** Estos orificios permiten la refrigeración del motor. Debe tenerse especial cuidado de evitar su bloqueo, ya que de lo contrario el motor se quemará por falta de ventilación.
16. **Mantenga la postura adecuada y el equilibrio en todo momento.**
17. **NO MALTRATE EL CABLE.** Nunca arrastre la aspiradora por el cable ni tire de él para desconectarla del enchufe. Mantenga el cable alejado del calor, aceite y bordes cortantes. **Inspeccione el cable de la aspiradora periódicamente y, si está dañado, haga que lo reparen en un centro de reparación autorizado. Inspeccione los cables prolongadores periódicamente y sustitúyalos si están dañados.**
18. **No doble la manguera, no tire de ella y no la pise.**
19. **Detenga la aspiradora inmediatamente si detecta un bajo rendimiento o cualquier anomalía durante el funcionamiento.**
20. **DESCONECTE LA ASPIRADORA.** Cuando no la utilice, antes de realizar el mantenimiento y cuando cambie accesorios.
21. **Limpie la aspiradora y realice su mantenimiento inmediatamente después de cada uso para mantenerla en perfecto estado de funcionamiento.**
22. **TRATE LA ASPIRADORA CON CUIDADO.** Mantenga la aspiradora limpia para un funcionamiento mejor y más seguro. Siga las instrucciones para cambiar los accesorios. Mantenga las asas, limpias y libres de aceite y grasa.
23. **COMPRUEBE LAS PIEZAS DAÑADAS.** Antes de seguir utilizando la aspiradora, si un protector o cualquier otra parte de la herramienta se ha dañado, debe inspeccionarse con detenimiento para determinar si funcionará correctamente y si cumplirá con su finalidad. Compruebe la alineación de las partes móviles, el libre movimiento de las partes móviles, la rotura de

piezas, el montaje y cualquier otra condición que pueda afectar a su funcionamiento. Los protectores, o cualquier otra pieza que esté dañada, deben repararse correctamente en un centro de reparaciones autorizado a menos que se indique lo contrario en este manual de instrucciones. Haga que se reemplacen los interruptores defectuosos en un servicio de reparación autorizado. No utilice la aspiradora si el interruptor no la enciende y la apaga.

24. **PIEZAS DE REPUESTO.** Al reparar una herramienta, utilice sólo piezas de repuesto idénticas.
25. **ALMACENE LA ASPIRADORA CUANDO NO LA UTILICE.** Cuando no la utilice, la aspiradora se debe guardar a cubierto.
26. **Trate la aspiradora con cuidado. Un manejo brusco puede provocar roturas incluso en la aspiradora más robusta.**
27. **No intente limpiar el exterior o el interior con benceno, disolventes o productos químicos de limpieza. Se pueden provocar grietas y decoloración.**
28. **No utilice la aspiradora en un espacio cerrado en el que haya gases inflamables, tóxicos o explosivos provocados por pinturas de base de aceite, disolvente de pinturas, gasolina, sustancias contra polillas, etc., o en áreas en las que hay polvo inflamable.**
29. **No deje el cable de la aspiradora en el suelo cuando haya finalizado un trabajo de limpieza. Puede convertirse en un peligro de tropiezo o puede causar daños en la aspiradora.**
30. **No utilice esta ni ninguna herramienta bajo la influencia de drogas o alcohol.**
31. **Como regla de seguridad básica, utilice gafas de seguridad con protecciones laterales.**
32. **Utilice una máscara contra el polvo en condiciones de trabajo polvorientas.**
33. **Esta máquina no se ha diseñado para ser utilizada por personas, incluidos niños, con capacidades físicas, mentales o sensoriales reducidas o con falta de experiencia y conocimientos.**
34. **Vigile a los niños pequeños para que no utilicen la aspiradora como un juguete.**
35. **Nunca manipule el cable o la aspiradora con las manos húmedas.**
36. **Tenga especial cuidado cuando aspire en escaleras.**
37. **No utilice la aspiradora como silla o banco de trabajo. La máquina puede caer y se pueden provocar lesiones personales.**

CONSERVELAS PARA FUTURAS CONSULTAS

⚠️ ADVERTENCIA:

NO deje que la comodidad o la familiaridad con el producto (a base de utilizarlo repetidamente) sustituya la estricta observancia de las normas de seguridad del producto en cuestión. El MAL USO o la no observancia de las normas de seguridad expuestas en este manual de instrucciones pueden ocasionar graves daños corporales.

DESCRIPCIÓN DEL FUNCIONAMIENTO

⚠️ ADVERTENCIA:

- **Antes de enchufar la aspiradora, asegúrese siempre de que la aspiradora esté apagada.** Si enchufa la aspiradora con el interruptor encendido, puede provocar una puesta en marcha inesperada que puede provocar graves lesiones personales.

Accionamiento del interruptor (Fig. 1)

Para poner la aspiradora en marcha, ponga la palanca del interruptor en el lado "I". Para detenerla, ponga la palanca del interruptor en el lado "O". (Fig. 2)

La fuerza de succión se puede ajustar en función de sus necesidades de trabajo.

La fuerza de succión se puede aumentar girando el mando de ajuste de la fuerza de succión desde el símbolo ↶ hasta el símbolo ↷.

Asimismo, ajuste el dial de selección del diámetro de la manguera en el diámetro de la manguera que va a utilizar.

Dial de selección del diámetro de la manguera

Gire el dial en la dirección acorde con la manguera que utiliza.

NOTA:

No coloque el dial en el medio. Gire siempre hacia uno de los lados en función del diámetro de la manguera.

Pitido de advertencia

Hay dos tipos de señales acústicas. Una consiste en pitidos cortos y la otra en un pitido largo.

Cuando la velocidad del flujo de aire cae por debajo de 20 m/s, la aspiradora emite pitidos de advertencia breves por motivos de seguridad. Si se emiten los pitidos, compruebe el dial de selección del diámetro de la manguera o si la fuerza de succión no es demasiado baja. Si el pitido sigue sonando, realice las tareas de mantenimiento o consulte con su centro de servicio local.

Cuando el depósito esté lleno de líquido, la aspiradora emitirá un pitido de advertencia largo. Cuando el depósito esté lleno y se emita el pitido, apague la aspiradora y vacíe el depósito.

Conexión de herramientas eléctricas (Fig. 3 y 2)

⚠️ ADVERTENCIA:

- Asegúrese de que la aspiradora y la herramienta eléctrica estén apagadas antes de conectarlas o desconectarlas. La conexión de la herramienta eléctrica a la aspiradora con ambas encendidas puede provocar una puesta en marcha accidental y repentina que puede provocar graves lesiones personales.
- Nunca conecte una herramienta eléctrica con una potencia de entrada que exceda la especificada en las "ESPECIFICACIONES" de la toma de corriente de la aspiradora girando el mando de ajuste de la fuerza de succión. La conexión de una herramienta eléctrica que exceda la potencia de entrada especificada puede

provocar un sobrecalentamiento y daños en la aspiradora.

- Cuando conecte una herramienta con conexión a tierra, inserte un enchufe con una placa de conexión a tierra en la toma de corriente de la aspiradora.

La aspiradora se puede conectar a una herramienta eléctrica hasta la potencia de entrada que se muestra en las "ESPECIFICACIONES".

1. Para conectar una herramienta eléctrica, abra la tapa de salida e inserte el enchufe de la herramienta eléctrica en la toma de corriente de la aspiradora.
2. Cuando conecte una herramienta eléctrica, fije el cable de alimentación y la manguera mediante las abrazaderas de la manguera a una distancia regular. Evita que la manguera se enrede con el cable de alimentación. (Fig. 4)
3. Gire la palanca del interruptor hasta la posición "AUTO".
4. Mueva el mando de ajuste de la fuerza de succión hasta la posición adecuada para la potencia de entrada de la herramienta eléctrica que piensa utilizar.
5. Al encender o apagar la herramienta eléctrica se enciende o se apaga simultáneamente la aspiradora. La aspiradora sigue funcionando durante unos segundos incluso después de apagar la herramienta eléctrica.
6. Tras su uso, desconecte la herramienta eléctrica de la toma de corriente de la aspiradora.
7. Apague la aspiradora tras su uso.

Detención de la succión automática durante la operación

ADVERTENCIA:

- **No aspire espuma o jabón líquido.** Si aspira espuma o jabón líquido puede salir espuma por la salida de aire antes de que entre en funcionamiento la detención de la succión automática. La prolongación del uso en este estado puede provocar una descarga eléctrica y la rotura de la aspiradora.

La aspiradora tiene un mecanismo que impide que el agua inunde el motor cuando se recoge más de una cierta cantidad de agua.

Cuando el depósito esté lleno de líquido, la aspiradora emitirá un pitido de advertencia largo. Apague la aspiradora y vacíe el depósito cuando se emita este pitido.

Uso del gancho de la base

PRECAUCIÓN:

- **Tenga cuidado de que sus dedos no queden atrapados cuando cierre el gancho de la base.** De lo contrario, puede sufrir lesiones personales.

AVISO:

- No aplique una fuerza excesiva al gancho de la base. Una fuerza excesiva en el gancho de la base puede dañarlo. Cierre el gancho de la base cuando no se utilice.

La apertura del gancho de la base permite el siguiente uso.

1. **Almacenamiento del cable de alimentación (Fig. 5)**

AVISO:

- **No utilice la aspiradora o una herramienta eléctrica conectada con un cable de alimentación atado al gancho de la base.** El uso de la aspiradora o de la herramienta eléctrica conectada con el cable de alimentación puede provocar daños en el cable de alimentación.

2. **Almacenamiento de los manguitos frontales (Fig. 6)**

Se pueden almacenar los manguitos frontales 22, 24 y 38 (dos cada vez.)

3. **Almacenamiento de la manguera (Fig. 7)**

4. **Reposo de una herramienta eléctrica de tamaño razonable para el gancho de la base, como una sierra circular. (Fig. 8)**

Bloqueo o desbloqueo de la rueda (Fig. 9)

Para bloquear la rueda con un tope, baje la palanca de bloqueo y la rueda dejará de girar. Para liberar la rueda de la posición de bloqueo levante la palanca de bloqueo.

El bloqueo de la rueda es útil cuando se almacena la aspiradora, se detiene el trabajo y se mantiene la aspiradora quieta.

Para utilizar el tope, muévelo a mano.

AVISO:

- Cuando mueva la aspiradora asegúrese de que la rueda esté desbloqueada. El desplazamiento de la aspiradora con la rueda en la posición de bloqueo puede dañar la rueda.

Tapa

Hay una tapa en el puerto de montaje. La tapa impide que el polvo aspirado salga de la aspiradora.

MONTAJE

ADVERTENCIA:

- Esta unidad puede contener polvo peligroso. Cuando sustituya elementos de filtro y la bolsa de polvo, utilice siempre una máscara P2.
- Asegúrese siempre de que la aspiradora esté apagada y desenchufada antes de intentar realizar cualquier trabajo en ella.
- Nunca la encienda hasta que todos los filtros y la bolsa de polvo se hayan instalado completamente y se compruebe el control de flujo de volumen.

Instalación y desecho de la bolsa de filtro

ADVERTENCIA:

- Utilice siempre una máscara P2.
- Cuando utilice la bolsa de filtro, utilice también el filtro de aire que está preinstalado en la herramienta. Si no se utiliza el filtro de aire de forma conjunta se pueden provocar ruidos y calor inusuales y se puede provocar un incendio.

PRECAUCIÓN:

- Nunca recoja agua u otros líquidos o polvos húmedos cuando utilice la bolsa de filtro. La recogida de esas sustancias puede provocar la rotura de la bolsa de filtro.

1. Despliegue la bolsa de filtro. **(Fig. 10)**
2. Alinee la abertura de la bolsa de filtro con la abertura de succión de polvo de la aspiradora. **(Fig. 11)**
3. Inserte el cartón de la bolsa de filtro con la herramienta de forma que quede colocado en el extremo que está más allá del saliente de marca.

Cuando deseche la bolsa de filtro, tire del borde de la boca de la bolsa de filtro de forma que la boca esté cerrada mediante un papel.

Instalación de la bolsa de polietileno

La aspiradora también se puede usar sin una bolsa de polietileno. No obstante, si se usa una bolsa de polietileno resulta más fácil vaciar el depósito sin ensuciarse las manos.

Despliegue la bolsa de polietileno en el depósito. Insértela entre la placa del soporte y el depósito y tire de ella hacia la entrada de la manguera. **(Fig. 12)**

Despliegue la bolsa por la parte superior del depósito. **(Fig. 13)**

Enganche el otro extremo de la bolsa alrededor de la parte superior del depósito de forma que el gancho del filtro previo pueda atraparla y sujetarla de forma segura.

NOTA:

- Se pueden utilizar bolsas de polietileno disponibles comercialmente. Se recomienda una de 0,04 mm o de un grosor superior.
- Demasiado polvo romperá la bolsa fácilmente, así que no recoja más polvo del que cabe en la mitad de la bolsa.

Desecho de la bolsa de polietileno

⚠ ADVERTENCIA:

- Asegúrese siempre de que la aspiradora esté apagada y desenchufada antes de vaciar la bolsa de polietileno. En caso contrario, se puede producir una descarga eléctrica y graves lesiones personales.

⚠ PRECAUCIÓN:

- No ejerza una gran fuerza sobre el filtro de aire y el depósito. Si aplica una gran fuerza se pueden provocar deformaciones y se pueden dañar el filtro de aire y el depósito.
- Vacíe el depósito como mínimo una vez al día, aunque esto depende del volumen de polvo recogido en el depósito. De lo contrario, la fuerza de succión se debilitará y el motor puede romperse.
- No coja el gancho cuando vacíe el depósito. Si coge el gancho puede hacer que se rompa.

Desenganche y levante la cubierta del depósito. **(Fig. 14)**
Retire la bolsa de polietileno del depósito. **(Fig. 15)**

NOTA:

- Saque con mucho cuidado la bolsa de polietileno del depósito de forma que la bolsa de polietileno no pueda quedar atrapada ni se pueda romper dentro del depósito cuando la vacíe.
- Vacíe la bolsa de polietileno antes de que esté llena. Demasiado polvo en el depósito puede provocar que la bolsa de polietileno se rompa.

Conexión de una manguera

⚠ PRECAUCIÓN:

- Nunca fuerce la manguera para doblarla o fijarla. Nunca mueva la aspiradora por una manguera. Forzar la manguera, golpearla o tirar de ella puede provocar una rotura o una deformación de la misma.
- Cuando recoja residuos de gran tamaño, como virutas de una cepilladora, polvo de hormigón u otros residuos similares que no sean pequeños, use la manguera de 38 mm de diámetro interior (accesorio opcional). El uso de la manguera de 28 mm de diámetro interior puede provocar atascos en la manguera y daños.
- Coloque siempre la tapa en el puerto de montaje cuando retire la manguera de la herramienta.

Retire la tapa del puerto de montaje. Puede colocar la tapa en el gancho multiusos mientras la manguera está conectada a la herramienta. **(Fig. 16)**

Inserte la manguera en el puerto de montaje del depósito y gírela en el sentido de las agujas del reloj hasta que se bloquee. **(Fig. 17)**

FUNCIONAMIENTO

⚠ ADVERTENCIA:

- Utilice siempre una máscara P2.

⚠ PRECAUCIÓN:

- Si se produce un escape de espuma o líquido de la herramienta, apáguela inmediatamente. La prolongación del uso en este estado puede provocar una descarga eléctrica y la rotura de la aspiradora.

MANTENIMIENTO

⚠ ADVERTENCIA:

- Utilice siempre una máscara P2 durante las tareas de mantenimiento.

⚠ PRECAUCIÓN:

- Asegúrese siempre de que la herramienta esté apagada y desenchufada antes de intentar realizar cualquier trabajo de inspección o mantenimiento en ella.
- Nunca utilice gasolina, benceno, disolvente, alcohol o un producto similar. Se puede provocar una decoloración, una deformación o grietas.
- Una persona con formación debe realizar una inspección técnica que incluya la inspección de filtros de aire, estanqueidad y mecanismo de control como mínimo una vez al año.
- Durante el mantenimiento se deben desechar todos los elementos contaminados que no se pueden limpiar satisfactoriamente. Esos elementos se deben desechar en bolsas resistentes, de acuerdo con la normativa de su país.
- Tras operaciones en áreas peligrosas, la parte exterior de la herramienta se debe descontaminar mediante métodos de limpieza al vacío y se debe limpiar o tratar con sellante antes de retirar la herramienta de un área peligrosa. Todas las partes de la herramienta se deben considerar contaminadas cuando se retiren de un área peligrosa y se deben realizar las acciones adecuadas para evitar la dispersión del polvo.

- Cambie el filtro de aire cuando esté obstruido con polvo o si cree que se ha reducido el rendimiento de la aspiradora.
- Compruebe los filtros periódicamente. Si están rasgados, reemplácelos inmediatamente.

Extracción del filtro de aire

PRECAUCIÓN:

- Espere unos 5 minutos para que el polvo del depósito se asiente completamente.
- Asegúrese de que la herramienta esté desenchufada.
- Tenga cuidado de no dejar que el polvo entre dentro de la cubierta del depósito cuando retire el filtro de aire.

Desenganche la cubierta del depósito y retírela con cuidado. Colóquela al revés. (Fig. 18)

Desbloquee los ganchos del filtro moviendo la palanca de bloqueo. (Fig. 19)

Cubra los filtros de aire con una bolsa de plástico. (Fig. 20)

Retire los filtros de aire de la cubierta del depósito con cuidado y ate la bolsa de plástico firmemente. (Fig. 21)

Montaje del filtro de aire

Cuando obtenga los componentes del filtro de aire por separado, móntelos de la siguiente manera.

Coloque el filtro previo sobre el filtro de polvo. (Fig. 22)

Asegúrese de que los bordes del filtro previo y el filtro de polvo se ajusten correctamente. (Fig. 23)

Instalación del filtro de aire

Limpie la parte de junta.

Encaje los nuevos filtros de aire y fijelos con los ganchos del filtro. (Fig. 24)

Mueva la palanca de bloqueo para bloquear los filtros de aire.

Ajuste la cubierta del depósito en el depósito y bloquéelo con ganchos. (Fig. 25)

AVISO:

- Asegúrese de que los ganchos de los filtros estén colocados en la posición correcta.

Limpeza de los sensores de nivel

(Fig. 26)

Los sensores de nivel detectan líquido cuando el depósito se llena de líquido. Limpie los sensores de nivel con un paño suave de vez en cuando, al cambiar los filtros de aire.

Limpeza de los filtros de aire

Los filtros obstruidos provocan un pobre rendimiento de succión.

Limpie los filtros de vez en cuando.

Para retirar el polvo o las partículas que se adhieren a los filtros, retire el filtro previo del filtro de aire. Golpee suavemente el filtro previo varias veces.

Ocasionalmente, lave el filtro de polvo con agua, aclárelo y séquelo a conciencia a la sombra antes de su uso.

Nunca lave filtros en una lavadora. (Fig. 27)

NOTA:

- No frote ni raye el filtro de polvo, el filtro previo o el amortiguador con objetos duros, como un cepillo y una pala.
- Los filtros son artículos de consumo y se recomienda tener recambios para ellos.

Almacenamiento del cable de alimentación (Fig. 28 y 29)

Enrolle el cable de alimentación alrededor del gancho multiusos o el gancho de la base.

Almacenamiento de accesorios

NOTA:

- No aplique una fuerza excesiva a los accesorios sujetos por el soporte del tubo. La aplicación de una fuerza excesiva a esos accesorios puede dañar el soporte del tubo.

El apoyo del tubo se puede usar para almacenar un tubo recto, un tubo doblado y otros elementos simplemente insertando esos accesorios. (Fig. 30)

Los tubos se pueden colocar en el soporte del tubo cuando también se deje de usar la aspiradora durante un rato. (Fig. 31)

Puede colocar la tapa en el gancho multiusos mientras la manguera está conectada a la herramienta. (Fig. 32)

Almacenamiento de la manguera (Fig. 33 y 7)

La manguera se puede colocar en el gancho de la base o el gancho multiusos.

Para mantener la SEGURIDAD y la FIABILIDAD del producto, las reparaciones y cualquier otra tarea de mantenimiento o ajuste deberán ser realizadas en centros de servicio autorizados por Makita, utilizando siempre repuestos Makita.

ACCESORIOS OPCIONALES

PRECAUCIÓN:

- Se recomienda el uso de estos accesorios o complementos con la herramienta Makita especificada en este manual. El uso de otros accesorios o complementos puede conllevar el riesgo de ocasionar daños corporales. Utilice los accesorios o complementos solamente para su fin establecido.

Si necesita cualquier ayuda para obtener más información relativa a estos accesorios, pregunte a su centro de servicio Makita local.

- Manguera
- Manguitos frontales (22, 24, 38)
- Tubo recto
- Boquilla para esquinas
- Cepillo redondo
- Filtro de polvo
- Amortiguador
- Filtro previo
- Ensamblaje de la boquilla
- Tubo doblado
- Bolsa de polietileno
- Bolsa de filtro
- Abrazadera de la manguera
- Gancho para el cinturón completo

- Tapa

NOTA:

- Algunos elementos de la lista se pueden incluir en el paquete de la herramienta como accesorios estándar. Pueden ser diferentes de un país a otro.

Ruido ENG905-1

Nivel típico de ruido ponderado A determinado conforme a EN/IEC60704:

Nivel de presión de sonido (L_{pA}): 72,5 dB (A)

Incertidumbre (K): 2,5 dB (A)

El nivel de ruido durante el trabajo puede superar los 80 dB (A).

Utilice protección para los oídos.

Vibración ENG900-1

Valor total de la vibración (suma de vectores triaxiales) determinado según el estándar EN/IEC60335:

El valor de emisión de vibraciones está por debajo de 2,5 m/s².

Solo para países europeos ENH038-3

Declaración de conformidad de la CE

Makita declara que las siguientes máquinas:

Designación de la máquina:

Aspiradora

Nº de modelo/ Tipo: VC2211M, VC3211M

Cumplen con las siguientes Directivas europeas:

2006/42/CE

Se han fabricado de acuerdo con los siguientes estándares o documentos estandarizados:

EN60335

El archivo técnico de acuerdo con 2006/42/CE está disponible en:

Makita, Jan-Baptist Vinkstraat 2, 3070, Bélgica

25. 11. 2014



Yasushi Fukaya

Director

Makita, Jan-Baptist Vinkstraat 2, 3070, Bélgica

PORTUGUÊS (Instruções de origem)

Descrição geral

- | | | |
|---|-------------------------|-----------------------|
| 1. Botão de regulação da força de aspiração | 8. Adaptadores frontais | 17. Depósito |
| 2. Seletor do diâmetro do tubo flexível | 9. Tubo flexível | 18. Tapa do depósito |
| 3. Alavanca do interruptor | 10. Posição LIVRE | 19. Gancho |
| 4. Tapa da saída | 11. Posição de BLOQUEIO | 20. Tapa |
| 5. Cabo de alimentação | 12. Alavanca do batente | 21. Filtro de pó |
| 6. Braçadeira do tubo flexível | 13. Roda | 22. Recipiente |
| 7. Gancho da base | 14. Saco de filtro | 23. Pré-filtro |
| | 15. Placa do suporte | 24. Sensores de nível |
| | 16. Saco de polietileno | 25. Multi-gancho |

ESPECIFICAÇÕES

Modelo		VC2211M/VC3211M			
Países		UE	Suíça	Reino Unido	
Tensão	Volts	230-240	230-240	110	230-240
Consumo de energia	Watts	1.050	1.050	1.050	1.050
Carga ligada para tomada do aparelho	Watts no modo com o símbolo	2.400	1.100	600	1.900
	Watts no modo com o símbolo	2.600	1.400	850	2.100
Carga total ligada	Watts	3.450	2.150	1.650	2.950

Modelo		VC2211M	VC3211M
Caudal do volume (ar)	Com tubo flexível de ø28 mm X 3,5 m	2,0 m³/min	
	Com tubo flexível de ø38 mm X 2,5 m	3,5 m³/min	
Vácuo		22 kPa	
Tipo de proteção		IP X4 (à prova de salpicos)	
Capacidade recuperável	Pó	22 L	32 L
	Água	17 L	27 L
Dimensões (C x L x A)		552 mm x 398 mm x 569 mm	552 mm x 398 mm x 685 mm
Peso líquido		16,3 kg	16,9 kg
Classe de segurança		Classe I	

- Devido à pesquisa e desenvolvimento constantes, estas especificações estão sujeitas a alteração sem aviso prévio.
- Estas especificações podem diferir de país para país.
- Peso de acordo com procedimento EPTA de 01/2003

Símbolos

END112-4

Descrição dos símbolos utilizados no equipamento. Certifique-se de que compreende os seus significados, antes da utilização.



..... Leia o manual de instruções.



..... Tenha um cuidado e atenção especiais.



..... Aviso! O aspirador pode conter pó perigoso.



..... Nunca se coloque em cima do aspirador.



..... Classe de pó M (médio). Os aspiradores conseguem apanhar pó de classe L e M. Siga as regulamentações do seu país

relativamente ao pó e à saúde e segurança ocupacional.



..... Apenas para países da UE
Não deite equipamentos eléctricos no lixo doméstico!

De acordo com a directiva europeia sobre ferramentas eléctricas e electrónicas usadas e a sua aplicação em conformidade com as leis nacionais, as ferramentas eléctricas usadas devem ser recolhidas em separado e encaminhadas para uma instalação de reciclagem dos materiais ecológicos.

Utilização prevista

ENE084-1

A ferramenta destina-se a recolher pó húmido e seco. Esta ferramenta destina-se a utilização comercial, por

exemplo, em hotéis, escolas, hospitais, fábricas, lojas, escritórios e empresas de alugar.

Fonte de alimentação

ENF001-1

A ferramenta apenas deve ser ligada a uma fonte de alimentação da mesma tensão que a indicada na chapa de especificações, e apenas pode funcionar com uma alimentação CA monofásica. Esta ferramenta deve ser ligada à terra quando em utilização, de forma a proteger o operador contra choques elétricos. Utilize apenas cabos de extensão com três fios que tenham fichas de três pernos do tipo terra e tomadas de três entradas que aceitem a ficha da ferramenta.

AVISOS DE SEGURANÇA DO ASPIRADOR DE PÓ

ENB119-5

⚠ AVISO! IMPORTANTE LEIA ATENTAMENTE todos os avisos de segurança e todas as instruções ANTES DA UTILIZAÇÃO. O não cumprimento dos avisos e instruções pode resultar na ocorrência de choques elétricos, incêndios e/ou ferimentos graves.

1. **Antes da utilização, certifique-se de que este aspirador é utilizado por pessoas que foram correctamente instruídas acerca da utilização do mesmo.**
2. **Utilize apenas a saída de tomada no aspirador para finalidades especificadas nas instruções.**
3. **Se espuma/líquido sair, desligue imediatamente.**
4. **Limpe regularmente o dispositivo de limitação do nível de água e inspecione-o por danos.**
5. **Não utilize o aspirador sem o filtro. Substitua imediatamente um filtro danificado.**
6. **UTILIZAÇÃO DO CABO DE EXTENSÃO.** Ao utilizar um cabo de extensão devido à grande distância à fonte de alimentação, tente utilizar um cabo suficientemente espesso mas não demasiado longo ou o desempenho do aspirador será afectado. Para aplicações exteriores, use um cabo de extensão adequado para utilização exterior.
7. **AVISO DE TENSÃO:** Antes de ligar o aspirador a uma fonte de alimentação (receptáculo, tomada, etc.), certifique-se de que a tensão fornecida é igual à tensão especificada na placa de características do aspirador. Uma fonte de alimentação com tensão superior à tensão especificada para o aspirador pode resultar em **DANOS GRAVES** para o utilizador assim como danos no aspirador. Em caso de dúvida, **NÃO LIGUE O ASPIRADOR.** Utilizar uma fonte de alimentação com tensão inferior à classificação da placa de características é nocivo para o motor.
8. **EVITE ARRANQUES ACIDENTAIS.** Certifique-se de que o interruptor está desligado quando ligar a ferramenta à tomada.
9. **Não tente apanhar materiais inflamáveis, fogo de artifício, cigarros acesos, cinzas quentes, aparas de metal quentes, materiais pontiagudos como lâminas, agulhas, vidro partido ou algo semelhante.**
10. **NUNCA UTILIZE O ASPIRADOR PERTO DE GASOLINA, GÁS, TINTA, ADESIVOS OU OUTRAS SUBSTÂNCIAS ALTAMENTE EXPLOSIVAS.** O interruptor emite faíscas quando é ligado e desligado. Assim como o comutador do motor

durante o funcionamento. Pode provocar uma explosão perigosa.

11. **Nunca aspire materiais tóxicos, carcinogénicos, combustíveis ou perigosos como amianto, arsénico, bário, chumbo, pesticidas ou outros materiais perigosos para a saúde.**
12. **Nunca utilize o aspirador à chuva.**
13. **Não utilize perto de fontes de calor (fornos, etc.).**
14. **PROTEJA-SE CONTRA CHOQUES ELÉTRICOS.** Evite contacto físico com superfícies aterradas. Por exemplo; tubos, radiadores, armários de frigorífico.
15. **Não bloqueie as aberturas de arrefecimento.** Estas aberturas permitem o arrefecimento do motor. Deve evitar cuidadosamente o bloqueio, caso contrário, o motor irá sobreaquecer devido a falta de ventilação.
16. **Mantenha-se sempre bem equilibrado e apoiado.**
17. **NÃO ABUSE DO CABO.** Nunca transporte o aspirador pelo cabo nem o puxe para o desligar da tomada. Mantenha o cabo longe de fontes de calor, óleo ou pontas afiadas. Inspeccione os cabos do aspirador periodicamente e caso esteja danificado, entregue o aspirador a um distribuidor autorizado para reparação. Inspeccione as extensões periodicamente e substitua-as, caso estejam danificadas.
18. **Não dobre, puxe nem pise o tubo flexível.**
19. **Desligue imediatamente o aspirador se detectar um mau desempenho ou algo anormal durante o funcionamento.**
20. **DESLIGUE O ASPIRADOR.** Quando não o utilizar, antes da manutenção e quando substituir os acessórios.
21. **Limpe e efectue imediatamente a manutenção do aspirador após cada utilização para mantê-lo numa condição de funcionamento perfeita.**
22. **MANTENHA O ASPIRADOR COM CUIDADO.** Mantenha o aspirador limpo para um desempenho melhor e mais seguro. Siga as instruções para substituir os acessórios. Mantenha as pegas secas, limpas e sem óleo ou gordura.
23. **VERIFIQUE AS PEÇAS DANIFICADAS.** Antes de voltar a utilizar o aspirador, uma protecção ou outra peça danificada, verifique-a com cuidado para se certificar de que funciona correctamente. Verifique o alinhamento das peças móveis, união das peças móveis, se há peças partidas, a sua montagem e outras condições que possam afectar o funcionamento do aspirador. A protecção ou outra peça danificada deve ser reparada convenientemente ou substituída por um agente autorizado a não ser que o manual de instruções indique em contrário. Consulte um centro de assistência autorizado para substituir os interruptores defeituosos. Não utilize o aspirador se o interruptor não o ligar ou desligar.
24. **PEÇAS SOBRESSELENTES.** Durante a manutenção, utilize apenas peças sobresselentes idênticas.
25. **ARMAZENE O ASPIRADOR.** Quando não em utilização, o aspirador deve ser guardado num espaço interior.

26. **Tenha cuidado com o seu aspirador. Um mau manuseamento pode causar quebras mesmo no aspirador mais robusto.**
27. **Não tente limpar o exterior ou o interior com benzina, diluente ou químicos de limpeza. Pode causar fissuras e descoloração.**
28. **Não utilize o aspirador em espaços fechados, nos quais são libertados vapores inflamáveis, explosivos ou tóxicos através de tinta à base de óleo, diluente, gasolina, algumas substâncias antitrafugas, etc., ou em áreas onde existe pó inflamável.**
29. **Não deixe o cabo do aspirador no chão após ter concluído um trabalho de limpeza. As pessoas podem tropeçar e pode causar danos no aspirador.**
30. **Não utilize o aspirador ou qualquer outra ferramenta sob a influência de drogas ou álcool.**
31. **Como regra básica de segurança, use óculos de segurança com protecções laterais.**
32. **Use uma máscara anti-poeiras em condições de trabalho poeirentas.**
33. **Esta máquina não se destina a ser utilizada por pessoas incluindo crianças com aptidões físicas, sensoriais ou mentais reduzidas ou com falta de experiência ou conhecimento.**
34. **As crianças devem ser supervisionadas de modo a assegurar que não brincam com o aspirador.**
35. **Nunca manuseie o fio eléctrico ou o aspirador com as mãos húmidas.**
36. **Tenha muito cuidado ao limpar em escadas.**
37. **Não utilize o aspirador como um banco ou bancada de trabalho. A máquina pode cair e resultar em ferimentos pessoais.**

GUARDE PARA REFERÊNCIA FUTURA

AVISO:

NÃO deixe que o conforto ou familiaridade com o produto (obtida de uma utilização regular) substituam um cumprimento severo das regras de segurança do produto em causa. Uma **UTILIZAÇÃO INCORRECTA** ou não cumprimento das regras de segurança indicadas neste manual de instruções podem provocar ferimentos pessoais sérios.

DESCRIÇÃO DO FUNCIONAMENTO



AVISO:

- **Antes de ligar o aspirador de água e pó, certifique-se sempre de que este está desligado.** Ligar o aspirador de água e pó com o interruptor ligado pode causar um arranque inesperado, resultando em ferimentos pessoais graves.

Ação do interruptor (Fig. 1)

Para ligar o aspirador, rode a alavanca do interruptor para o lado "I". Para o desligar, rode a alavanca do interruptor para o lado "O". (Fig. 2)

A força de aspiração pode ser ajustada de acordo com as necessidades de trabalho.

A força de aspiração pode ser aumentada rodando o botão de regulação da força de aspiração do símbolo  para o símbolo .

Além disso, defina o seletor do diâmetro do tubo flexível para o diâmetro do tubo flexível que vai utilizar.

Seletor do diâmetro do tubo flexível

Rode o seletor de acordo com o tubo flexível que utiliza.

NOTA:

Não coloque o seletor na posição central. Rode sempre para um dos lados de acordo com o diâmetro do tubo flexível.

Aviso sonoro

Existem dois tipos de avisos sonoros. Um é curto e o outro é longo.

Quando a velocidade do caudal de ar for inferior a 20 m/s, o aspirador emite avisos sonoros curtos, por razões de segurança. Quando soar, verifique o seletor do diâmetro do tubo flexível ou verifique se a força de aspiração não está demasiado baixa. Se o aviso continuar a soar, efetue a manutenção ou contacte o centro de assistência local. Quando o depósito está cheio com líquido, o aspirador emite um aviso sonoro longo.

Quando o depósito está cheio e o aviso sonoro soa, desligue o aspirador e esvazie o depósito.

Ligar ferramentas elétricas (Fig. 3 e 2)

AVISO:

- Certifique-se de que o aspirador e a ferramenta elétrica estão desligados antes de ligar ou desligar. Ligar a ferramenta elétrica ao aspirador com ambos ligados pode causar um arranque inesperado e repentino, resultando em ferimentos pessoais graves.
- Nunca ligue uma ferramenta elétrica, com uma potência de entrada superior à potência especificada em "ESPECIFICAÇÕES", à tomada do aspirador rodando o botão de regulação da força de aspiração. Ligar a ferramenta elétrica com uma potência de entrada superior àquela especificada, pode causar um sobreaquecimento e danificar o aspirador.
- Ao ligar uma ferramenta aterrada, introduza uma ficha com uma placa de ligação à terra na tomada do aspirador.

O aspirador pode ser ligado a uma ferramenta elétrica com uma potência de entrada equivalente àquela indicada nas "ESPECIFICAÇÕES".

1. Para ligar uma ferramenta elétrica, abra a tampa de saída e introduza a ficha da ferramenta elétrica na tomada do aspirador.
2. Ao ligar uma ferramenta elétrica, fixe o cabo de alimentação e o tubo flexível através das braçadeiras do tubo flexível a uma distância regular. Impede o tubo flexível de ficar preso no cabo de alimentação. (Fig. 4)
3. Rode a alavanca do interruptor para a posição "AUTO".
4. Desloque o botão de regulação da força de aspiração para a posição adequada à potência de entrada da ferramenta elétrica que pretende usar.
5. O ligar e desligar da ferramenta elétrica resulta simultaneamente na ação de ligar e desligar do aspirador. O aspirador ainda funciona durante alguns

segundos mesmo após a ferramenta elétrica ser desligada.

6. Após a utilização, desligue a ferramenta elétrica da tomada do aspirador.
7. Desligue o aspirador após a utilização.

Paragem de aspiração automática durante a operação de aspiração

⚠ AVISO:

- **Não aspire espuma ou líquido com sabão.** Aspirar espuma ou líquido com sabão pode fazer com que a espuma saia pela saída de ar antes da paragem de aspiração automática funcionar. Continuar a utilização nesta condição pode causar choques elétricos e quebras no aspirador de água e pó.

O aspirador tem um mecanismo que impede a entrada de água no motor ao aspirar certas quantidades de água. Quando o depósito está cheio com líquido, o aspirador emite um aviso sonoro longo. Desligue o aspirador e esvazie o depósito quando este sinal sonoro soar.

Utilização do gancho da base

⚠ PRECAUÇÃO:

- **Tenha cuidado para não prender os dedos ao fechar o gancho da base.** Caso contrário, poderá causar ferimentos.

ATENÇÃO:

- Não aplique uma força excessiva no gancho da base. A força excessiva no gancho da base pode danificá-lo. Feche o gancho da base quando não o utilizar. Abrir o gancho da base permite a utilização seguinte.

1. Armazenar o cabo de alimentação (Fig. 5)

ATENÇÃO:

- **Não utilize o aspirador ou uma ferramenta elétrica ligada com um cabo de alimentação enrolado no gancho da base.** Utilizando o aspirador ou a ferramenta elétrica ligada com cabo de alimentação pode causar danos no cabo de alimentação.

2. Armazenar os adaptadores frontais (Fig. 6)

Os adaptadores frontais 22, 24 e 38 podem ser guardados (até dois de cada vez).

3. Armazenar o tubo flexível (Fig. 7)

4. Pousar uma ferramenta elétrica de tamanho razoável, no gancho da base, como uma serra circular. (Fig. 8)

Bloquear ou desbloquear a roda (Fig. 9)

Para bloquear a roda com um batente, baixe a alavanca do batente e a roda não irá rodar mais. Para libertar a roda da posição bloqueada, eleve a alavanca do batente. Convém bloquear a roda quando guardar o aspirador, interromper o trabalho e quando quiser manter o aspirador parado.

Para utilizar o batente, mova-o à mão.

ATENÇÃO:

- Ao mover o aspirador, certifique-se de que a roda está desbloqueada. Mover o aspirador com a roda na posição bloqueada, pode causar danos na roda.

Tampa

Existe uma tampa na porta de montagem. A tampa impede o pó aspirado de sair do aspirador.

MONTAGEM

⚠ AVISO:

- Esta unidade pode conter pó perigoso. Ao substituir os elementos filtrantes e o saco de pó, utilize sempre uma máscara P2.
- Certifique-se sempre de que o aspirador está desligado no interruptor e da tomada antes de efetuar qualquer trabalho no aspirador.
- Não ligue até todos os filtros e o saco de pó estarem completamente instalados e o controlo do caudal do volume ser testado.

Instalar e eliminar o saco de filtro

⚠ AVISO:

- Use sempre uma máscara P2.
- Ao utilizar o saco de filtro, use também o filtro de ar que está pré-instalado na ferramenta. Se não utilizar o filtro de ar, pode causar ruído e calor involuntários, resultando num incêndio.

⚠ PRECAUÇÃO:

- Nunca aspire água ou outros líquidos ou pós húmidos ao utilizar o saco de filtro. Aspirar tais substâncias pode causar quebras no saco de filtro.
1. Abra o saco de filtro. (Fig. 10)
 2. Alinhe a abertura do saco de filtro com a abertura de aspiração de pó do aspirador. (Fig. 11)
 3. Introduza o cartão do saco de filtro na ferramenta para que esteja posicionado na extremidade além da saliência do detentor.

Ao eliminar o saco de filtro, puxe a extremidade na boca do saco de filtro para que a boca esteja fechada por um papel.

Instalar o saco de polietileno

O aspirador também pode ser usado sem saco de polietileno. No entanto, é mais fácil esvaziar o depósito sem sujar as mãos, utilizando o saco de polietileno.

Espalhe o saco de polietileno no depósito. Introduza-o entre a placa do suporte e o depósito e puxe-o para a entrada do tubo flexível. (Fig. 12)

Espalhe o saco em torno da parte superior do depósito. (Fig. 13)

Engate o outro lado do saco em torno da parte superior do depósito, de modo a que o gancho do pré-filtro possa apanhá-lo e fixá-lo em segurança.

NOTA:

- Pode ser utilizado um saco de polietileno disponível no mercado. É recomendado o saco de 0,04 mm ou maior.
- Demasiado pó irá rasgar o saco com facilidade, por isso, não ultrapasse metade da capacidade do saco ao recolher pó.

Eliminar o saco de polietileno

⚠ AVISO:

- Certifique-se sempre de que o aspirador está desligado e com o cabo desligado da corrente antes de

esvaziar o saco de polietileno. Caso contrário, poderá causar choques elétricos e ferimentos pessoais graves.

⚠️ PRECAUÇÃO:

- Não aplique um impacto grande no filtro de ar e no depósito. Aplicar um impacto grande pode causar deformações e danos no filtro de ar e no depósito.
- Esvazie o depósito, no mínimo, uma vez por dia, apesar disto depender do volume de pó aspirado no depósito. Ou a força de aspiração irá reduzir e o motor pode avariar.
- Não agarre o gancho ao esvaziar o depósito. Agarrar no gancho pode fazer com que este se parta.

Desengate e leve a tampa do depósito. **(Fig. 14)**

Retire o saco de polietileno do depósito. **(Fig. 15)**

NOTA:

- Retire o saco de polietileno com cuidado, de modo a que este não fique preso nem se rasgue devido à saliência no interior do depósito, ao esvaziá-lo.
- Esvazie o saco de polietileno antes de estar cheio. Demasiado pó no depósito pode rasgar o saco de polietileno.

Ligar um tubo flexível

⚠️ PRECAUÇÃO:

- Nunca force o tubo flexível para dobrar ou calcar. Nunca desloque o aspirador de água e pó puxando por um tubo flexível. Forçar, calcar e puxar o tubo flexível, pode causar uma quebra ou deformação no tubo flexível.
- Ao aspirar resíduos grandes como aparas de plaina, poeira de betão ou algo semelhante, em vez de resíduos pequenos, use o tubo flexível de 38 mm de diâmetro interior (acessório opcional). Utilizar o tubo flexível de 28 mm de diâmetro interior pode causar obstruções e danos no mesmo.
- Coloque sempre a tampa na porta de montagem sempre que retira o tubo flexível da ferramenta.

Retire a tampa da porta de montagem. Pode colocar a tampa no multi-gancho enquanto o tubo flexível é ligado à ferramenta. **(Fig. 16)**

Introduza o tubo flexível na porta de montagem do depósito e rode-o para a direita até bloquear. **(Fig. 17)**

FUNCIONAMENTO

⚠️ AVISO:

- Use sempre uma máscara P2.

⚠️ PRECAUÇÃO:

- Se sair espuma ou líquido da ferramenta, desligue-a imediatamente. Continuar a utilização nesta condição pode causar choques elétricos e quebras no aspirador de água e pó.

MANUTENÇÃO

⚠️ AVISO:

- Use sempre uma máscara P2 durante a manutenção.

⚠️ PRECAUÇÃO:

- Certifique-se sempre de que a ferramenta está desligada no interruptor e da tomada antes de inspecionar ou fazer a manutenção da ferramenta.

- Nunca utilize gasolina, benzina, diluente, álcool ou semelhante. Podem formar-se descolorações, deformações ou fissuras.
- Tem de ser efetuada uma inspeção técnica, incluindo a inspeção dos filtros, estanquidade e mecanismo de controlo, no mínimo, uma vez ao ano por uma pessoa qualificada.
- Durante a manutenção, todos os itens contaminados que não podem ser limpos de forma satisfatória têm de ser eliminados. Esses itens têm de ser eliminados em sacos impenetráveis em conformidade com as regulamentações do país.
- Após a operação na área perigosa, o exterior da ferramenta tem de ser descontaminado por métodos de aspiração e limpos ou tratados com vedante antes de retirar a ferramenta de uma área perigosa. Todas as peças da ferramenta têm de ser encaradas como contaminadas quando removidas da área perigosa e deve ser tomada uma ação adequada para evitar a dispersão de pó.
- Substitua o filtro de ar quando o filtro de ar está entupido com pó ou se achar que o desempenho do aspirador diminuiu.
- Verifique periodicamente os filtros. Se tiver um rasgão, substitua-o imediatamente.

Remover o filtro de ar

⚠️ PRECAUÇÃO:

- Aguarde 5 minutos para que o pó no depósito assente por completo.
- Certifique-se de que a ferramenta está desligada da tomada.
- Tenha cuidado para não permitir a entrada de pó no depósito ao remover o filtro de ar.

Desengate a tampa do depósito e remova-a cuidadosamente. Coloque-a de cima para baixo. **(Fig. 18)** Desbloqueie os ganchos do filtro ao virar a alavanca do batente. **(Fig. 19)**

Cubra os filtros de ar com um saco de plástico. **(Fig. 20)** Remova cuidadosamente os filtros de ar da tampa do depósito e aperte bem o saco de plástico. **(Fig. 21)**

Montar o filtro de ar

Quando obtém os componentes do filtro de ar separadamente, monte-os da seguinte forma. Coloque o pré-filtro sobre o filtro de pó. **(Fig. 22)** Certifique-se de que os rebordos do pré-filtro e do filtro de pó estão bem instalados. **(Fig. 23)**

Instalar o filtro de ar

Limpe a superfície do vedante. Coloque os novos filtros de ar e fixe-os com os ganchos dos filtros. **(Fig. 24)** Vire a alavanca do batente para bloquear os filtros de ar. Coloque a tampa do depósito no depósito e bloqueie-a com ganchos. **(Fig. 25)**

ATENÇÃO:

- Certifique-se de que os ganchos nos filtros se encontram na posição certa.

Limpar os sensores de nível (Fig. 26)

Os sensores de nível detetam líquido quando o depósito fica cheio com líquido. Limpe esporadicamente os sensores de nível com um pano suave ao substituir os filtros de ar.

Limpar os filtros de ar

O filtro entupido causa um fraco desempenho de aspiração.

Limpe os filtros periodicamente.

Para retirar pó ou partículas que se colam aos filtros, remova o pré-filtro do filtro de ar. E bata várias vezes no pré-filtro.

Lave ocasionalmente o filtro de pó em água, lave e seque minuciosamente à sombra antes da utilização. Nunca lave os filtros numa máquina de lavar roupa. (Fig. 27)

NOTA:

- Não esfregue nem arranhe o filtro de pó, pré-filtro ou recipiente com objetos duros como uma escova ou espátula.
- Os filtros são consumíveis e é aconselhável ter filtros sobresselentes.

Armazenamento do cabo de alimentação (Fig. 28 e 29)

Enrole o cabo de alimentação em torno do multi-gancho ou do gancho da base.

Armazenamento de acessórios

NOTA:

- Não aplique força excessiva nos acessórios que são segurados pelo suporte do tubo. Aplicar uma força excessiva nestes acessórios pode causar danos no suporte do tubo.

O repouso do tubo pode ser utilizado para guardar o tubo reto, tubo dobrado e outros objetos semelhantes, introduzindo estes acessórios. (Fig. 30)

Os tubos também podem ser colocados no suporte do tubo quando interromper a utilização do aspirador durante algum tempo. (Fig. 31)

Pode colocar a tampa no multi-gancho enquanto o tubo flexível é ligado à ferramenta. (Fig. 32)

Armazenamento do tubo flexível (Fig. 33 e 7)

O tubo flexível pode ser colocado no gancho da base ou no multi-gancho.

Para manter os níveis de SEGURANÇA e FIABILIDADE definidos para este produto, as reparações e os procedimentos de manutenção ou ajustes devem ser executados por centros de assistência Makita autorizados, utilizando sempre peças de substituição Makita.

ACESSÓRIOS OPCIONAIS

⚠ PRECAUÇÃO:

- Os seguintes acessórios ou extensões são os recomendados para utilizar com a ferramenta Makita especificada neste manual. A utilização de quaisquer outros acessórios poderá representar um risco de

ferimento para as pessoas. Apenas utilize o acessório para o fim indicado.

Se precisar de informações adicionais relativas aos acessórios, contacte o centro local de assistência Makita.

- Tubo flexível
- Adaptadores frontais (22, 24, 38)
- Tubo reto
- Bocal para cantos
- Escova redonda
- Filtro de pó
- Recipiente
- Pré-filtro
- Conjunto do bocal
- Tubo dobrado
- Saco de polietileno
- Saco de filtro
- Braçadeira do tubo flexível
- Gancho de cinto completo
- Tampa

NOTA:

- Alguns itens na lista podem estar incluídos no pacote de ferramentas como acessórios de série. Podem diferir de país para país.

Ruído

ENG905-1

Os níveis acústicos ponderados A típicos foram determinados segundo a EN/IEC60704:

Nível de pressão sonora (L_{pA}): 72,5 dB (A)

Incerteza (K): 2,5 dB (A)

O nível de ruído quando em funcionamento pode exceder os 80 dB (A).

Use proteção para os ouvidos.

Vibração

ENG900-1

O valor total de vibração (soma vetor triaxial) determinado, de acordo com EN/IEC60335:

O valor de emissão de vibrações é inferior a 2,5 m/s².

Apenas para países europeus

ENH038-3

Declaração de conformidade CE

A Makita declara que as máquinas:

Designação da máquina:

Aspirador de Pó

Nº/Tipo de modelo: VC2211M, VC3211M

Estão em conformidade com as directivas europeias seguintes:

2006/42/EC

São fabricadas de acordo com as normas e documentos normalizados seguintes:

EN60335

A ficha técnica em conformidade com a norma

2006/42/EC está disponível a partir de:

Makita, Jan-Baptist Vinkstraat 2, 3070, Bélgica

25. 11. 2014



Yasushi Fukaya

Director

Makita, Jan-Baptist Vinkstraat 2, 3070, Bélgica

DANSK (Originalvejledning)

Forklaring til generel oversigt

- | | | |
|------------------------------------|---------------------|--------------------|
| 1. Justeringsknap for sugestyrke | 10. FRI-position | 19. Krog |
| 2. Knap til valg af slangediameter | 11. LÅST-position | 20. Dæksel |
| 3. Afbryderkontakt | 12. Låsearm | 21. Pulverfilter |
| 4. Udgangsdæksel | 13. Styrehjul | 22. Spjæld |
| 5. Strømforsyningsledning | 14. Filterpose | 23. Forfilter |
| 6. Slangebånd | 15. Holderplade | 24. Niveausensorer |
| 7. Apparatkrog | 16. Polyethylenpose | 25. Multikrog |
| 8. Frontmanchetter | 17. Tank | |
| 9. Slange | 18. Tankdæksel | |

SPECIFIKATIONER

Model		VC2211M/VC3211M			
Lande		EU	Schweiz	UK	
Spænding	Volt	230-240	230-240	110	230-240
Strømforgbrug	Watt	1.050	1.050	1.050	1.050
Tilsluttet belastning for udstyrsstik	Watt i ⚡-symbols tilstand	2.400	1.100	600	1.900
	Watt i ⚡-symbols tilstand	2.600	1.400	850	2.100
Tilsluttet belastning i alt	Watt	3.450	2.150	1.650	2.950

Model		VC2211M	VC3211M
Gennemstrømningsmængde (luft)	Med ø28 mm X 3,5 m slange	2,0 m ³ /min	
	Med ø38 mm X 2,5 m slange	3,5 m ³ /min	
Sugekraft		22 kPa	
Beskyttelsestype		IP X4 (stænksikker)	
Opsamlingskapacitet	Støv	22 l	32 l
	Vand	17 l	27 l
Mål (L x B x H)		552 mm x 398 mm x 569 mm	552 mm x 398 mm x 685 mm
Nettovægt		16,3 kg	16,9 kg
Sikkerhedsklasse		Klasse I	

- På grund af vores løbende forsknings- og udviklingsprogram kan specifikationerne heri ændres uden forudgående varsel.
- Specifikationerne kan variere fra land til land.
- Vægt i henhold til EPTA-procedure 01/2003

Symboler

END112-4

Her vises de symboler, der benyttes til udstyret. Vær sikker på, at du forstår deres betydning, før du bruger udstyret.



..... Læs brugsanvisningen.



..... Vær særlig forsigtig og opmærksom.



..... Advarsel! Støvsugerens indeholder muligvis sundhedsfarligt støv.



..... Stå aldrig på støvsugerens.



..... Støvklasser L (medium). Støvsugerne er i stand til at opsamle støvklasser L og M. Overhold dit lands bestemmelser

angående støv og arbejdsbetinget sundhed og sikkerhed.



..... Kun for EU-lande
Elektrisk udstyr må ikke bortskaffes som almindeligt affald!
I henhold til det europæiske direktiv om bortskaffelse af elektriske og elektroniske produkter og dets implementering i overensstemmelse med gældende national lovgivning skal brugt elektrisk udstyr, der har udtjent dets levetid, indsamles separat og returneres til miljøgodkendt genindvinding.

Tilsløget brug

ENE084-1

Denne maskine er beregnet til opsamling af både vådt og tørt støv. Maskinen er egnet til kommercielt brug som for

eksempel på hoteller, skoler, hospitaler, fabrikker, butikker, kontorer og udlejningsforretninger.

Strømforsyning

ENF001-1

Maskinen bør kun slttes til en strømforsyning med den spænding, der er angivet på mærkepladen, og den kan kun benyttes med enkeltfaset vekselstrøm. Denne maskine bør være jordet under brug for at beskytte brugeren mod elektrisk stød. Brug kun tre-trådede forlængerledninger med tre-benede jordstik og stikkontakter til tre-benede stik, som passer til maskinens stik.

SIKKERHEDSADVARSLER FOR STØVSUGER

ENB119-5

⚠ ADVARSEL! VIGTIGT LÆS OMHYGGELIGT alle sikkerhedsadvarsler og alle instruktioner INDEN BRUG. Det kan medføre elektrisk stød, brand og/eller alvorlig personskade, hvis du ikke overholder advarselne og følger instruktionerne.

1. **Inden brug skal det sikres, at denne støvsuger anvendes af personer, som har fået tilstrækkelig vejledning i brugen af denne støvsuger.**
2. **Brug kun stikudgangen på støvsugeren til de formål, som er angivet i vejledningen.**
3. **Hvis der kommer skum/væske ud, skal der straks slukkes for apparatet.**
4. **Rens udstyret til begrænsning af vandniveauet regelmæssigt og undersøg det for tegn på skader.**
5. **Brug ikke støvsugeren uden filteret. Udskift straks et beskadiget filter.**
6. **BRUG AF EN FORLÆNGERLEDNING.** På grund af den store afstand til strømkilden skal du ved brug af en forlængerledning så vidt muligt anvende en ledning, der er tilstrækkeligt tyk og ikke for lang, da det ellers vil påvirke støvsugerydelsen negativt. Ved udendørs brug skal der anvendes en forlængerledning, som er egnet til udendørs brug.
7. **SPÆNDINGSADVARSEL:** Inden støvsugeren tilsluttes til en strømkilde (stikkontakt osv.), skal det sikres, at spændingen er den samme som den, der er angivet på støvsugerens mærkeplade. En strømkilde med en større spænding end den, der er angivet for støvsugeren, kan resultere i **ALVORLIG PERSONSKADE** for brugeren såvel som skade på støvsugeren. I tvivlstilfælde **SKAL DU IKKE TILSLUTTE STØVSUGEREN**. Brug af en strømkilde med en mindre spænding end den, der er angivet på mærkepladen, er skadelig for motoren.
8. **UNDGÅ UTILSIGTET START.** Sørg for at kontakten er slukket, når maskinen tilsluttes.
9. **Forsøg ikke at opsamle brændbare materialer, fyrværkeri, tændte cigaretter, varm aske, varme metalstykker, skarpe materialer som f.eks. skraber, nåle, glasstykker eller lignende.**
10. **BRUG ALDRIG STØVSUGEREN I NÆRHEDEN AF BENZIN, GAS, MALING, KLÆBEMIDLER ELLER ANDRE STÆRKT EKSPLOSIVE STOFFER.** Kontakten afgiver gnister, når den tændes og slukkes. Det gør motorstrømfordeleren desuden også under anvendelsen. Der kan eventuelt opstå en farlig eksplosion.

11. **Opsug aldrig giftige, kræftfremkaldende, brændbare eller andre farlige materialer som f.eks. asbest, arsenik, barium, beryllium, bly, pesticider eller andre sundhedsskadelige materialer.**
12. **Brug aldrig støvsugeren udendørs i regnvejr.**
13. **Brug ikke støvsugeren i nærheden af varmekilder (brændeovn osv.).**
14. **BESKYT DIG MOD ELEKTRISK STØD.** Undgå kropskontakt med jordede overflader. For eksempel rør, radiatorer, komfurer, køleskabsafskærmninger.
15. **Bloker ikke køleventilationsåbninger.** Disse ventilationsåbninger gør det muligt for motoren at køle af. Sørg omhyggeligt for at forhindre at de blokeres, da motoren ellers brænder sammen pga. manglende ventilation.
16. **Bevar fodfæstet og balancen til enhver tid.**
17. **PAS PÅ LEDNINGEN.** Du må aldrig bære støvsugeren i ledningen, eller trække i ledningen når støvsugerens stik tages ud af stikkontakten. Hold ledningen væk fra varme, olie og skarpe kanter. Efterse støvsugerens ledning med jævne mellemrum og få den repareret på et autoriseret serviceværksted, hvis den er beskadiget. Efterse jævnligt forlængerledninger og udskift dem, hvis de er beskadiget.
18. **Du skal ikke folde, trække i eller træde på slangen.**
19. **Standt straks støvsugeren hvis du bemærker en dårligere ydelse eller andet unormalt under anvendelsen.**
20. **TAG STØVSUGERENS STIK UD AF STIKKONTAKTEN.** Når den ikke er i brug, inden eftersyn og ved skift af tilbehør.
21. **Rengør og efterse straks støvsugeren efter hver anvendelse, så den holdes i tiptop stand.**
22. **VEDLIGEHOLD OMHYGGELIGT STØVSUGEREN.** Hold støvsugeren ren for bedre og mere sikker ydelse. Følg vejledningen for skift af tilbehør. Hold håndtagene tørre, rene og fri for olie og fedt.
23. **KONTROLLER BESKADIGEDE DELE.** Inden yderligere brug af støvsugeren bør en beskadiget afskærmning eller anden del omhyggeligt kontrolleres for at sikre, at den vil fungere ordentligt og kan udføre dens tilsigtede funktion. Kontroller for justering af bevægelige dele, stramhed i bevægelige dele, beskadigelse af dele, montering eller andre forhold der kan påvirke funktionen. En beskadiget afskærmning eller anden del bør repareres på korrekt vis eller udskiftes af et autoriseret serviceværksted, medmindre der er angivet andet andetsteds i denne brugsanvisning. Få defekte kontakter udskiftet på et autoriseret serviceværksted. Brug ikke støvsugeren, hvis du ikke kan tænde og slukke den på kontakten.
24. **RESERVEDELE.** Brug kun identiske reservedele ved udskiftning.
25. **OPBEVARING AF UBENYTTET STØVSUGER.** Når den ikke benyttes, skal støvsugeren opbevares indendørs.
26. **Pas godt på din støvsuger.** Hårdhændet behandling kan medføre skader på selv den mest solidt byggede støvsuger.

27. **Forsøg ikke at rengøre den udvendigt eller indvendigt med rensbenzin, fortynder eller rengøringskemikalier. Det kan medføre revner og misfarvning.**
28. **Brug ikke støvsugeren i et aflukket rum, hvor der afgives brændbare, eksplosive eller giftige dampe fra oliebaseret maling, malingsfortynder, benzin, visse mølbeskyttende stoffer osv., eller på steder med brændbart støv.**
29. **Lad ikke støvsugerens ledning ligge på gulvet efter du har afsluttet et rengøringsarbejde. Man kan nemt falde over den, eller det kan eventuelt beskadige støvsugeren.**
30. **Brug ikke denne eller andre maskiner under påvirkning af medicin eller alkohol.**
31. **Som en grundlæggende sikkerhedsregel skal der anvendes beskyttelsesbriller eller sikkerhedsbriller med sideafskærmninger.**
32. **Brug en støvmaske ved arbejde under støvede forhold.**
33. **Denne maskine er ikke beregnet til brug af personer, herunder børn, med reducerede fysiske, sensoriske eller mentale evner, eller personer med manglende erfaring og viden.**
34. **Mindre børn bør være under opsyn, sådan at de ikke leger med støvsugeren.**
35. **Rør aldrig ved stikket eller støvsugeren med våde hænder.**
36. **Vær meget forsigtig ved rengøring på trapper.**
37. **Brug ikke støvsugeren som en stol eller arbejdsbænk. Denne maskine kan vælte og muligvis forårsage personskade.**

GEM BRUGSANVISNINGEN TIL FREMTIDIG BRUG

ADVARSEL:

LAD IKKE tryghed eller kendskab til produktet (fra gentagen brug) føre til, at du ikke strengt overholder sikkerhedsreglerne for det gældende produkt. MISBRUG eller manglende overholdelse af sikkerhedsreglerne i denne brugsanvisning kan medføre alvorlig personskade.


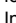
FUNKTIONSBESKRIVELSE

ADVARSEL:

- **Inden støvsugeren sluttes til stikkontakten, skal det altid sikres, at den er slukket.** Tilsluttes støvsugeren med kontakten slået til, kan det medføre en uventet start og forårsage alvorlig personskade.

Betjening af afbryderkontakt (Fig. 1)

Start støvsugeren ved at dreje afbryderkontakten hen på "I"-siden. Stands den ved at dreje afbryderkontakten hen på "O"-siden. (Fig. 2)

Sugestyren kan justeres i henhold til dit arbejdsbehov. Sugestyren kan forøges ved at dreje justeringsknappen for sugestyre fra -symbolet til -symbolet. Indstil også knappen til valg af slangediameter på diameteren for den slange, som du anvender.

Knap til valg af slangediameter

Drej knappen i retning af den slange, du anvender.

BEMÆRK:

Du skal ikke sætte knappen i midten. Drej den altid over til den side, som passer til slangediameteren.

Advarselsbip

Der er to typer biplyde. Det ene består af korte bip, det andet er et langt bip.

Når lufthastigheden kommer under 20 m/s, udsender støvsugeren korte advarselsbip af hensyn til sikkerheden. Når den lyder, skal du kontrollere knappen til valg af slangediameter, eller om sugestyren ikke er for lav. Hvis bippene fortsætter, skal du fortage vedligeholdelse eller forhøre dig hos dit lokale servicecenter. Når tanken er fyldt med væske, udsender støvsugeren et langt advarselsbip. Når tanken er fuld, og støvsugeren bipper, skal du slukke for den og tømme tanken.

Tilslutning af elektriske maskiner (Fig. 3 og 2)

ADVARSEL:

- Sørg for at både støvsugeren og den elektriske maskine er slukket inden tilslutning eller frakobling. Tilsluttes maskinen til støvsugeren med begge maskiner tændt, kan det medføre uventet og pludselig start med alvorlig personskade til følge.
- Tilslut aldrig en elektrisk maskine med en indgangseffekt der overstiger den, som er angivet i "SPECIFIKATIONER", til stikket på støvsugeren ved at dreje på justeringsknappen for sugestyre. Tilsluttes der en elektrisk maskine, som overstiger den angivne indgangseffekt, kan det medføre overophedning og skade på støvsugeren.
- Når der tilsluttes en jordet maskine, skal der indsættes et stik med en jordingsplade til støvsugerens stik. Støvsugeren kan tilsluttes til en elektrisk maskine med en indgangseffekt på op til den effekt, som er vist under "SPECIFIKATIONER".

1. For at tilslutte en elektrisk maskine skal du åbne udgangsdækslet og indsætte maskinens stik i støvsugerens indgangsstik.
2. Når du tilslutter en elektrisk maskine, skal du fastgøre strømforsyningsledningen og slangen vha. slangebånd med jævn mellemrum. Det forhindrer slangen i at blive viklet ind i strømforsyningsledningen. (Fig. 4)
3. Drej afbryderkontakten hen på "AUTO"-positionen.
4. Flyt justeringsknappen for sugestyre hen på en passende position for indgangseffekten på den elektriske maskine, du ønsker at anvende.
5. Når du tænder og slukker for den tilsluttede elektriske maskine, tændes og slukkes støvsugeren automatisk på samme tid. Støvsugeren fortsætter nogle få sekunder, efter der er slukket for den elektriske maskine.
6. Efter brug skal maskinen frakobles stikket på støvsugeren.
7. Sluk støvsugeren efter brug.

Automatisk sugestop under sugning

ADVARSEL:

- Opsug ikke skum eller sæbeagtig væske. Opsugning af skum eller sæbeagtig væske kan medføre, at der kommer skum ud af luftudgangen, inden det automatiske sugestop fungerer. Fortsat brug i denne tilstand kan medføre elektrisk stød og sammenbrud af støvsugeren.

Støvsugeren er udstyret med en mekanisme, der forhindrer, at der trænger vand ind i motoren, når den opsuger mere end en vis mængde vand.

Når tanken er fuld af væske, udsender støvsugeren et langt advarselsbip. Sluk for støvsugeren og tøm tanken, når dette bip lyder.

Brug af apparatkrogen

FORSIGTIG:

- Pas på du ikke klemmer fingrene, når du lukker apparatkrogen. Ellers kan det medføre personskader.

BEMÆRK:

- Anvend ikke stor kraft på apparatkrogen. Anvendes der stor kraft på apparatkrogen, kan den blive beskadiget. Luk apparatkrogen når den ikke er i brug.

Ved åbning af apparatkrogen kan den bruges til følgende.

1. Opbevaring af strømforsyningsledningen (Fig. 5)

BEMÆRK:

- Anvend ikke støvsugeren eller en tilsluttet elektrisk maskine mens strømforsyningsledningen er viklet rundt om apparatkrogen. Brug af støvsugeren eller den tilsluttede elektriske maskine med strømforsyningsledningen kan muligvis beskadige ledningen.

2. Opbevaring af frontmancherterne (Fig. 6)

Frontmancherterne 22, 24 og 38 kan blive opbevaret (op til to ad gangen).

3. Opbevaring af slangen (Fig. 7)

4. Placering af en elektrisk maskine af passende størrelse for apparatkrogen, som f.eks. en rundsav. (Fig. 8)

Låsning og oplåsning af styrehjulet (Fig. 9)

For at låse styrehjulet med en låsearm skal du sænke låsearmen, og styrehjulet vil ikke længere kunne rotere. For at frigøre styrehjulet fra den låste position skal du løfte op i låsearmen.

Låsning af styrehjulet er praktisk ved opbevaring af støvsugeren, ved midlertidig standsning af arbejdet og til at holde støvsugeren stille.

Låsearmen flyttes med håndkraft.

BEMÆRK:

- Sørg for at styrehjulet ikke er låst, når du flytter støvsugeren. Flyttes støvsugeren, mens styrehjulet er i den låste position, kan det muligvis beskadige styrehjulet.

Dæksel

Der er et dæksel på monteringsåbningen. Dette dæksel forhindrer opsuget støv i at slippe ud fra støvsugeren.

MONTERING

ADVARSEL:

- Denne enhed indeholder muligvis sundhedsfarligt støv. Brug altid en P2-åndedrætsbeskyttelse ved udskiftning af filterelementer og støvpose.
- Sørg altid for, at støvsugeren er slukket og taget ud af stikkontakten, før du udfører nogen form for arbejde på støvsugeren.
- Tænd aldrig før alle filtre og støvposen er fuldstændig installeret, og kontrol af gennemstrømningsmængden er testet.

Installation og bortskaffelse af filterposen

ADVARSEL:

- Brug altid en P2-åndedrætsbeskyttelse.
- Ved anvendelse af filterposen skal du også samtidigt anvende det luftfilter, der er formonteret på maskinen. Bruges luftfilteret ikke samtidigt, kan det medføre unormal støj og varmeudvikling, med brand til følge.

FORSIGTIG:

- Opsaml aldrig vand eller andre væsker eller vådt støv, når du anvender filterposen. Opsamling af sådanne ting kan muligvis medføre, at filterposen går i stykker.

1. Fold filterposen ud. (Fig. 10)

2. Juster filterposens åbning ind med støvindsugningsåbningen på støvsugeren. (Fig. 11)

3. Indsæt filterposens papstykke på maskinen, så det er sat helt ind på plads og ført over låsefremspringet.

Når du bortskaffer filterposen, skal du trække i kanten af filterposens munding, så mundingen lukkes af et papir.

Montering af polyethylenpose

Støvsugeren kan også bruges uden polyethylenpose. Men ved anvendelse af polyethylenposen er det nemmere at tømme tanken uden at få beskidte hænder.

Bred polyethylenposen ud i tanken. Indsæt den mellem holderpladen og tanken og træk den hen til slangeindgangen. (Fig. 12)

Før posen omkring kanten af tanken. (Fig. 13)

Hægt den anden side af posen omkring kanten af tanken, så forfilterkrogen kan få fat og holde den sikkert på plads.

BEMÆRK:

- Der kan anvendes en polyethylenpose, som fås på markedet. Der anbefales en på 0,04 mm eller tykkere.
- Hvis der opsamles for meget støv i posen, går den nemt i stykker, så du bør ikke opsamle mere støv, end til posen er halvt fyldt op.

Bortskaffelse af polyethylenposen

ADVARSEL:

- Sørg altid for at støvsugeren er slukket, og stikket er taget ud, inden du tømmer polyethylenposen. Sikres dette ikke, kan det medføre elektrisk stød og alvorlig personskade.

FORSIGTIG:

- Tryk ikke hårdt på luftfilteret og tanken. Hårdt tryk kan medføre deformation og beskadigelse af luftfilteret og tanken.
- Tøm tanken mindst én gang om dagen, selvom dette afhænger af den opsamlede støvmængde i tanken. Ellers aftager sugestykken, og motoren kan gå i stykker.
- Tag ikke fat i krogen, når du tømmer tanken. Tager du fat i krogen kan du risikere, at den går i stykker.

Lås tankdækslet op og løft op. (Fig. 14)

Tag polyethylenposen ud af tanken. (Fig. 15)

BEMÆRK:

- Tag forsigtigt polyethylenposen ud fra tanken sådan at polyethylenposen ikke sidder fast i og rives i stykker af fremspringet inde i tanken, når du tømmer den.
- Tøm polyethylenposen inden den er fyldt op. Hvis der er for meget støv i tanken, kan polyethylenposen gå i stykker.

Tilslutning af en slange

FORSIGTIG:

- Anvend aldrig kræfter til at bøje slangen og tramp ikke på den. Flyt aldrig støvsugeren vha. slangen. Anvendelse af kræfter på, tramp på eller træk i slangen kan ødelægge eller deformere slangen.
- Ved opsamling af større affaldsrester som f.eks. høvlerester, betonstøv eller andre lignende større affaldsrester, skal du anvende slangen med en indvendig diameter på 38 mm (fås som tilbehør). Anvendelse af slangen med en indvendig diameter på 28 mm kan medføre tilstopning og skader.
- Placer altid dækslet på monteringsåbningen, når du fjerner slangen fra maskinen.

Fjern dækslet fra monteringsåbningen. Du kan placere dækslet i multikrogen, mens slangen er tilsluttet til maskinen. (Fig. 16)

Indsæt slangen i tankens monteringsåbning og drej den med uret indtil den låser. (Fig. 17)

BETJENING

ADVARSEL:

- Brug altid en P2-åndedrætsbeskyttelse.

FORSIGTIG:

- Hvis der kommer skum eller væske ud fra maskinen, skal du straks slukke for den. Fortsat brug i denne tilstand kan medføre elektrisk stød og sammenbrud af støvsugeren.

VEDLIGEHOLDELSE

ADVARSEL:

- Brug altid en P2-åndedrætsbeskyttelse under udførsel af vedligeholdelse.

FORSIGTIG:

- Sørg altid for, at maskinen er slukket, og at stikket er taget ud, før du udfører inspektion eller vedligeholdelse.
- Brug aldrig benzin, benzen, fortynder, alkohol eller lignende. Det kan muligvis medføre misfarvning, deformation eller revner.

- Der skal udføres et teknisk eftersyn, herunder eftersyn af filtre, lufttæthed og kontrol af mekanisme mindst én gang om året af en instrueret person.
- Under vedligeholdelse skal alle beskidte dele, der ikke kan rengøres på tilfredsstillende vis bortskaftes. Sådanne dele skal bortskaftes i uigennemtrængelige poser i henhold til bestemmelserne i dit land.
- Efter anvendelse i et farligt område, skal maskinen dekontamineres vha. støvsugningsmetoder og tørres ren eller forsegles, inden du tager maskinen ud af et farligt område. Alle maskinens dele skal behandles som værende forurenede ved fjernelse fra det farlige område, og der skal tages de fornødne foranstaltninger for at forhindre spredning af støv.
- Skift luftfilteret, når luftfilteret er tilstoppet med støv, eller du føler, at støvsugerens ydelse er forringet.
- Kontroller jævnlige filtrene. Hvis der er en revne i det, skal det straks udskiftes.

Fjernelse af luftfilteret

FORSIGTIG:

- Vent ca. 5 minutter så støvet i tanken er faldet helt til ro.
- Sørg for, at maskinen er taget ud af forbindelse.
- Sørg for, at der ikke kommer noget støv ind i tankdækslet, når du fjerner luftfilteret.

Lås tankdækslet op og fjern det forsigtigt. Placer det på hovedet. (Fig. 18)

Lås filterkrogene op ved at løfte låsearmen op. (Fig. 19)

Tildæk luftfiltrene med en plastikpose. (Fig. 20)

Fjern forsigtigt luftfiltrene fra tankdækslet og bind plastikposen ordentligt sammen. (Fig. 21)

Samling af luftfilteret

Når du får luftfilterdelene separat, skal du samle dem som følger.

Placer forfilteret over pulverfilteret. (Fig. 22)

Sørg for, at forfilterets og pulverfilterets kanter er placeret ordentligt. (Fig. 23)

Montering af luftfilteret

Tør forseglingsfladen af.

Placer de nye luftfiltre og fastgør dem med filterkrogene. (Fig. 24)

Sænk låsearmen for at låse luftfiltrene.

Sæt tankdækslet på tanken og lås det med kroge. (Fig. 25)

BEMÆRK:

- Sørg for at krogene på filtrene er placeret på den rigtige position.

Rengøring af niveausensorerne (Fig. 26)

Niveausensorerne detekterer væske, når tanken bliver fuld af væske. Rengør indimellem niveausensorerne med en blød klud, når du skifter luftfiltrene.

Rensning af luftfiltrene

Tilstoppet filter forårsager dårlig sugedydelse.

Rengør indimellem filtrene.

For at fjerne støv eller partikler som sidder fast i filtrene skal du fjerne forfilteret fra luftfilteret. Og bank flere gange på forfilteret.

Vask ind i mellem pulverfilteret med vand, og skyl og tør det omhyggeligt i skyggen inden brug. Vask aldrig filtre i en vaskemaskine. (Fig. 27)

BEMÆRK:

- Du skal hverken skure på eller ridse pulverfilteret, filteret eller spjældet med hårde genstande som f.eks. en børste eller en spatel.
- Filtrene er forbrugsgenstande, og det anbefales at have nogle i reserve.

Opbevaring af strømforsyningsledningen (Fig. 28 og 29)

Vikl strømforsyningsledningen omkring multikrogen eller apparatkrogen.

Opbevaring af tilbehør

BEMÆRK:

- Anvend ikke for mange kræfter på tilbehør som holdes fast i rørholderen. Anvendes der for mange kræfter på disse tilbehør, kan det beskadige rørholderen.

Rørstøtten kan anvendes til opbevaring af lige rør, bøjet rør og andet ved blot at indsætte disse tilbehør. (Fig. 30)
Rørene kan også placeres i rørholderen, når støvsugerens standses et stykke tid undervejs i arbejdet. (Fig. 31)
Du kan placere dækslet i multikrogen, mens slangen er tilsluttet til maskinen. (Fig. 32)

Opbevaring af slange (Fig. 33 og 7)

Slangen kan placeres på enten apparatkrogen eller multikrogen.

For at holde produktet SIKKERT og PÅLIDELIGT skal reparationer samt al anden vedligeholdelse eller justering udføres af autoriserede Makita-servicecentre, og der skal altid benyttes Makita-reservedele.

EKSTRAUDSTYR

⚠ FORSIGTIG:

- Dette tilbehør eller ekstraudstyr anbefales til brug med det Makita-værktøj, som er beskrevet i denne brugsanvisning. Brug af andet tilbehør eller ekstraudstyr kan forårsage personskade. Brug kun tilbehør eller ekstraudstyr til det formål, det er beregnet til.

Henvend dig til dit lokale Makita-servicecenter, hvis du har brug for hjælp eller yderligere oplysninger vedrørende tilbehøret.

- Slange
- Frontmanchetter (22, 24, 38)
- Lige rør
- Hjørnemundstykke
- Rund børste
- Pulverfilter
- Spjæld
- Forfilter
- Mundstykkemontering
- Bøjet rør
- Polyethylenpose
- Filterpose
- Slangebånd
- Komplet bæltkrog
- Dæksel

BEMÆRK:

- Visse dele på listen er muligvis indeholdt maskinindpakningen som standardtilbehør. De kan variere fra land til land.

Støj

ENG905-1

Det typiske A-vægtede støjniveau bestemt i overensstemmelse med EN/IEC60704:

Lydtryksniveau (L_{pA}): 72,5 dB (A)

Usikkerhed (K): 2,5 dB (A)

Støjniveauet under arbejdet kan være større end 80 dB (A).

Bær høreværn.

Vibration

ENG900-1

Den samlede vibrationsværdi (treksiel vektorsum)

bestemt i overensstemmelse med EN/IEC60335:

Værdien for vibrationsmission er under 2,5 m/s².

Kun for europæiske lande

ENH038-3

EF-overensstemmelseserklæring

Makita erklærer at følgende maskine(r):

Maskinens betegnelse:

Støvsuger

Modelnummer/type: VC2211M, VC3211M

Overholder følgende europæiske direktiver:

2006/42/EF

De er produceret i overensstemmelse med den følgende standard eller standardiserede dokumenter:

EN60335

Den tekniske fil er i overensstemmelse med 2006/42/EF til rådighed fra:

Makita, Jan-Baptist Vinkstraat 2, 3070, Belgien

25. 11. 2014



Yasushi Fukaya

Direktør

Makita, Jan-Baptist Vinkstraat 2, 3070, Belgien

ΕΛΛΗΝΙΚΑ (Πρωτογενείς οδηγίες)

Περιγραφή γενικής όψης

- | | | |
|---|--------------------------|------------------------|
| 1. Κουμπί ρύθμισης δύναμης αναρρόφησης | 8. Μπροστινά μανικέτα | 17. Δοχείο |
| 2. Επιλογέας διαμέτρου εύκαμπτου σωλήνα | 9. Εύκαμπτος σωλήνας | 18. Κάλυμμα δοχείου |
| 3. Μοχλός-διακόπτης | 10. ΕΛΕΥΘΕΡΗ θέση | 19. Γάντζος |
| 4. Καπάκι παροχής | 11. ΚΛΕΙΔΩΜΕΝΗ θέση | 20. Καπάκι |
| 5. Καλώδιο τροφοδοσίας | 12. Ασφαλιστικός μοχλός | 21. Φίλτρο σκόνης |
| 6. Κολάρο εύκαμπτου σωλήνα | 13. Τροχήσος | 22. Αποσβεστήρας |
| 7. Γάντζος βάσης | 14. Σάκος φίλτρου | 23. Προφίλτρο |
| | 15. Πλάκα στηρίγματος | 24. Αισθητήρες στάθμης |
| | 16. Σάκος πολυαιθυλενίου | 25. Πολλαπλός γάντζος |

ΠΡΟΔΙΑΓΡΑΦΕΣ

Μοντέλο		VC2211M/VC3211M			
Χώρες		ΕΕ	Ελβετία	Ηνωμένο βασίλειο	
Τάση	Volt	230-240	230-240	110	230-240
Κατανάλωση ρεύματος	Watt	1.050	1.050	1.050	1.050
Συνδεδεμένο φορτίο για την πρίζα της συσκευής	Watt στη λειτουργία του συμβόλου ☺	2.400	1.100	600	1.900
	Watt στη λειτουργία του συμβόλου ☹	2.600	1.400	850	2.100
Ολικό συνδεδεμένο φορτίο	Watt	3.450	2.150	1.650	2.950

Μοντέλο		VC2211M	VC3211M
Όγκος ροής (αέρας)	Με εύκαμπτο σωλήνα ø28 mm X 3,5 m	2,0 m³/min	
	Με εύκαμπτο σωλήνα ø38 mm X 2,5 m	3,5 m³/min	
Κενό		22 kPa	
Τύπος προστασίας		IP X4 (αδιάβροχο)	
Ικανότητα ανάκτησης	Σκόνη	22 L	32 L
	Νερό	17 L	27 L
Διαστάσεις (Μ x Π x Υ)		552 mm x 398 mm x 569 mm	552 mm x 398 mm x 685 mm
Καθαρό βάρος		16,3 kg	16,9 kg
Τάξη ασφάλειας		Κατηγορία I	

- Λόγω του συνεχόμενου προγράμματος που εφαρμόζουμε για έρευνα και ανάπτυξη, τα τεχνικά χαρακτηριστικά στο παρόν έντυπο υπόκεινται σε αλλαγή χωρίς προειδοποίηση.
- Τα τεχνικά χαρακτηριστικά ενδέχεται να διαφέρουν ανάλογα με τη χώρα.
- Βάρος σύμφωνα με τη διαδικασία EPTA 01/2003

Σύμβολα

END112-4

Τα παρακάτω παρουσιάζουν τα σύμβολα που χρησιμοποιούνται για τη συσκευή. Βεβαιωθείτε ότι κατανοείτε τη σημασία τους πριν από τη χρήση.



..... Κατηγορία σκόνης M (μεσαία). Οι ηλεκτρικές σκούπες έχουν τη δυνατότητα σύλληψης σκόνης των κατηγοριών L και M. Ακολουθήστε τους κανονισμούς της περιοχής σας σχετικά με τις σκόνες και την επαγγελματική υγεία και ασφάλεια.



..... Μόνο για τις χώρες της ΕΕ
Μην απορρίπτετε ηλεκτρικές συσκευές στον κάδο οικιακών απορριμμάτων!
Σύμφωνα με την Ευρωπαϊκή Οδηγία περί των απορριμμάτων ηλεκτρικών και ηλεκτρονικών συσκευών και την ενσωμάτωση της στο εθνικό δίκαιο, οι ηλεκτρικές συσκευές, των οποίων έχει παρέλθει ο χρόνος ωφέλιμης ζωής τους,



..... Διαβάστε το εγχειρίδιο οδηγιών.



..... Δώστε ιδιαίτερη φροντίδα και προσοχή.



..... Προειδοποίηση! Η ηλεκτρική σκούπα μπορεί να περιέχει επικίνδυνη σκόνη.



..... Ποτέ μην στέκεστε πάνω στην ηλεκτρική σκούπα.

θα πρέπει να συλλέγονται ξεχωριστά και να επιστρέφονται σε εγκαταστάσεις περιβαλλοντικής ανακύκλωσης.

Προοριζόμενη χρήση ENE084-1

Το εργαλείο προορίζεται για τη συλλογή τόσο της υγρής όσο και της στεγνής σκόνης. Το εργαλείο είναι κατάλληλο για επαγγελματική χρήση, για παράδειγμα σε βιοδοχεία, σχολεία, νοσοκομεία, εργοστάσια, καταστήματα, γραφεία και επιχειρήσεις ενοικίασης.

Ηλεκτρική παροχή ENF001-1

Το εργαλείο πρέπει να συνδέεται μόνο σε ηλεκτρική παροχή της ίδιας τάσης με αυτήν που αναγράφεται στην πινακίδα ονομαστικών τιμών και μπορεί να λειτουργήσει μόνο με εναλλασσόμενο μονοφασικό ρεύμα. Αυτό το εργαλείο πρέπει να είναι γειωμένο κατά τη χρήση του για την προστασία του χειριστή έναντι της ηλεκτροπληξίας. Χρησιμοποιήστε μόνο καλώδια προέκτασης τριών ακίδων τα οποία διαθέτουν βύσμα γείωσης με τρεις απολήξεις και πρίζες με τρεις σπές που να ταιριάζουν με το βύσμα του εργαλείου.

ΠΡΟΕΙΔΟΠΟΙΗΣΕΙΣ ΑΣΦΑΛΕΙΑΣ ΗΛΕΚΤΡΙΚΗΣ ΣΚΟΥΠΑΣ ENB119-5

⚠️ ΠΡΟΕΙΔΟΠΟΙΗΣΗ! ΣΗΜΑΝΤΙΚΟ, ΔΙΑΒΑΣΤΕ ΠΡΟΣΕΚΤΙΚΑ όλες τις προειδοποιήσεις ασφαλείας και τις οδηγίες ΠΡΙΝ ΑΠΟ ΤΗ ΧΡΗΣΗ. Αν δεν ακολουθήσετε όλες τις προειδοποιήσεις και τις οδηγίες, υπάρχει κίνδυνος ηλεκτροπληξίας, πυρκαγιάς ή/και σοβαρού τραυματισμού.

1. Πριν από τη χρήση, βεβαιωθείτε ότι αυτή η ηλεκτρική σκούπα χρησιμοποιείται από άτομα τα οποία έχουν λάβει επαρκείς οδηγίες για τη χρήση αυτής της ηλεκτρικής σκούπας.
2. Να χρησιμοποιείτε την πρίζα της ηλεκτρικής σκούπας μόνο για τους σκοπούς που καθορίζονται στις οδηγίες.
3. Εάν βγαίνει προς τα έξω αφρός/καπνός, απενεργοποιήστε αμέσως.
4. Καθαρίστε τακτικά τη διάταξη περιορισμού της στάθμης του νερού και εξετάστε τη για την ύπαρξη σημαδιών φθοράς.
5. Μην χρησιμοποιείτε την ηλεκτρική σκούπα χωρίς το φίλτρο. Αντικαταστήστε αμέσως ένα φίλτρο που έχει υποστεί ζημιά.
6. ΧΡΗΣΗ ΚΑΛΩΔΙΟΥ ΕΠΕΚΤΑΣΗΣ. Όταν χρησιμοποιείτε ένα καλώδιο επέκτασης λόγω της μεγάλης απόστασης από τη πρίζα του ρεύματος, δοκιμάστε να χρησιμοποιήσετε ένα καλώδιο που είναι αρκετά παχύ, αλλά όχι πάρα πολύ μακρύ, διαφορετικά θα επηρεαστεί αρνητικά η απόδοση της ηλεκτρικής σκούπας. Για χρήσεις σε εξωτερικό χώρο, να χρησιμοποιείτε ένα καλώδιο προέκτασης κατάλληλο για εξωτερική χρήση.
7. ΠΡΟΕΙΔΟΠΟΙΗΣΗ ΑΝΑΦΟΡΙΚΑ ΜΕ ΤΗΝ ΤΑΣΗ: Πριν συνδέσετε την ηλεκτρική σκούπα σε μια πηγή ρεύματος (υποδοχή, παροχή, κ.λπ.), να είστε βέβαιοι ότι η παρεχόμενη τάση είναι η ίδια με εκείνη που καθορίζεται στην πινακίδα της ηλεκτρικής σκούπας. Μια πηγή ρεύματος με τάση μεγαλύτερη από εκείνη που καθορίζεται για την ηλεκτρική σκούπα μπορεί να οδηγήσει σε ΣΟΒΑΡΟ ΤΡΑΥΜΑΤΙΣΜΟ στον χρήστη, καθώς και

- βλάβη στην ηλεκτρική σκούπα. Σε περίπτωση αμφιβολίας, ΜΗΝ ΣΥΝΔΕΣΕΤΕ ΣΤΟ ΡΕΥΜΑ ΤΗΝ ΗΛΕΚΤΡΙΚΗ ΣΚΟΥΠΑ. Η χρήση μιας πηγής ρεύματος με τάση μικρότερη από αυτή της πινακίδας είναι επιβλαβής για το μοτέρ.
8. ΑΠΟΦΥΓΕΤΕ ΤΗΝ ΑΘΕΛΗΤΗ ΕΝΕΡΓΟΠΟΙΗΣΗ. Βεβαιωθείτε ότι ο διακόπτης είναι κλειστός κατά τη σύνδεση στη πρίζα.
 9. Μην επιχειρήσετε να μαζέψετε εύφλεκτα υλικά, υλικά για πυροτεχνήματα, αναμμένα τσιγάρα, θερμές στάχτες, ζεστά μεταλλικά ρινίσματα, αιχμηρά υλικά όπως ξυραφάκια, βελόνες, σπασμένα γυαλιά και να παρόμοια.
 10. ΜΗΝ ΧΡΗΣΙΜΟΠΟΙΗΣΕΤΕ ΠΟΤΕ ΤΗΝ ΗΛΕΚΤΡΙΚΗ ΣΚΟΥΠΑ ΚΟΝΤΑ ΣΕ ΒΕΝΖΙΝΗ, ΑΕΡΙΟ, ΧΡΩΜΑΤΑ, ΣΥΓΚΟΛΛΗΤΙΚΕΣ ΟΥΣΙΕΣ Ή ΑΛΛΕΣ ΙΔΙΑΙΤΕΡΑ ΕΚΡΗΚΤΙΚΕΣ ΟΥΣΙΕΣ. Ο διακόπτης εκπέμπει σπινθές κατά την ενεργοποίηση και την απενεργοποίηση. Το ίδιο κάνει ο συλλέκτης του κινητήρα κατά τη λειτουργία. Μπορεί να προκληθεί μια επικίνδυνη έκρηξη.
 11. Ποτέ μην απορροφάτε τοξικά, καρκινογόνα, εύφλεκτα ή άλλα επικίνδυνα υλικά όπως αμίαντο, αρσενικό, βάριο, βηρύλλιο, μόλυβδο, φυτοφάρμακα, ή άλλα υλικά που θέτουν σε κίνδυνο την υγεία.
 12. Ποτέ να μην χρησιμοποιήσετε την ηλεκτρική σκούπα σε εξωτερικό χώρο υπό βροχή.
 13. Μην την χρησιμοποιείτε κοντά σε πηγές θερμότητας (σόμπες, κλπ.).
 14. ΝΑ ΠΡΟΣΤΑΤΕΥΕΣΤΕ ΑΠΟ ΤΗΝ ΠΡΟΚΛΗΣΗ ΗΛΕΚΤΡΟΠΛΗΞΙΑΣ. Αποφύγετε την επαφή του σώματός σας με γειωμένες επιφάνειες. Για παράδειγμα, σωλήνες, θερμαντικά σώματα, ηλεκτρικές κουζίνες, περιβλήματα ψυγείου.
 15. Μην μπλοκάρτε τους αεραγωγούς ψύξης. Αυτές οι σπές επιτρέπουν την ψύξη του κινητήρα. Προσεκτικά θα πρέπει να αποφεύγετε το μπλοκάρισμα, διαφορετικά το μοτέρ θα καεί από την έλλειψη αερισμού.
 16. Να στέκεστε πάντοτε σταθερά και ισορροπημένα.
 17. ΜΗΝ ΚΑΚΟΜΕΤΑΧΕΙΡΙΖΕΣΤΕ ΤΟ ΚΑΛΩΔΙΟ. Ποτέ να μην μεταφέρετε την ηλεκτρική σκούπα από το καλώδιο ή το τραβήτε για να το αποσυνδέσετε από τη πρίζα. Να διατηρείτε το καλώδιο μακριά από τη θερμότητα, τα λάδια και τις αιχμηρές άκρες. Να ελέγχετε το καλώδιο της ηλεκτρικής σκούπας περιοδικά και, εάν έχει ζημιά, στείλτε το για επισκευή σε ένα εξουσιοδοτημένο κέντρο σέρβις. Να επιθεωρείτε τα καλώδια προέκτασης τακτικά και να τα αντικαθιστάτε, εάν έχουν πάθει ζημιά.
 18. Μην διπλώνετε, μην τραβάτε και μη στέκεστε πάνω στον εύκαμπο σωλήνα.
 19. Σταματήστε την ηλεκτρική σκούπα αμέσως εάν παρατηρήσετε κακή απόδοση ή οτιδήποτε ανωμαλίες κατά τη λειτουργία.
 20. ΑΠΟΣΥΝΔΕΣΤΕ ΤΗΝ ΗΛΕΚΤΡΙΚΗ ΣΚΟΥΠΑ. Όταν δεν τη χρησιμοποιείτε, πριν από το σέρβις και όταν αλλάζετε αξεσουάρ.
 21. Καθαρίζετε και συντηρείτε την ηλεκτρική σκούπα αμέσως μετά από κάθε χρήση, για να τη κρατήσετε σε άριστη κατάσταση λειτουργίας.

22. **ΝΑ ΦΡΟΝΤΙΖΕΤΕ ΤΗΝ ΗΛΕΚΤΡΙΚΗ ΣΚΟΥΠΑ ΜΕ ΠΡΟΣΟΧΗ.** Να διατηρείτε την ηλεκτρική σκούπα καθαρή για την καλύτερη και ασφαλέστερη απόδοση. Να ακολουθείτε τις οδηγίες για την αλλαγή των αξεσουάρ. Να διατηρείτε τα χερούλια στεγνά, καθαρά, χωρίς λάδι και γράσο.
23. **ΝΑ ΕΛΕΓΧΕΤΕ ΤΑ ΜΕΡΗ ΠΟΥ ΕΧΟΥΝ ΥΠΟΣΤΕΙ ΖΗΜΙΑ.** Πριν από την περαιτέρω χρήση της ηλεκτρικής σκούπας, θα πρέπει να ελέγχετε προσεκτικά τυχόν προστατευτικά εξαρτήματα ή κάποιο άλλο εξάρτημα με ζημιά για να καθορίσετε εάν θα λειτουργήσει σωστά και εάν θα πραγματοποιήσει την προοριζόμενη λειτουργία του. Ελέγξτε την ευθυγράμμιση των κινούμενων μερών, τη στερέωση των κινούμενων μερών, το σπάσιμο εξαρτημάτων, τη στερέωση και οποιαδήποτε άλλη συνθήκη που ενδεχομένως να επηρεάσει τη λειτουργία του εργαλείου. Ένα προστατευτικό ή άλλο εξάρτημα με ζημιά θα πρέπει να επισκευαστεί ή να αντικατασταθεί σε εξουσιοδοτημένο κέντρο σέρβις εκτός εάν δηλώνεται διαφορετικά στο παρόν εγχειρίδιο οδηγιών. Οι ελαττωματικοί διακόπτες να επισκευάζονται από ένα εξουσιοδοτημένο κέντρο σέρβις. Μην χρησιμοποιείτε την ηλεκτρική σκούπα εάν ο διακόπτης δεν την ενεργοποιεί και δεν την απενεργοποιεί.
24. **ΑΝΤΑΛΛΑΚΤΙΚΑ.** Κατά τη συντήρηση, χρησιμοποιείτε μόνο γνήσια ανταλλακτικά.
25. **ΝΑ ΑΠΟΘΗΚΕΥΕΤΕ ΤΗΝ ΗΛΕΚΤΡΙΚΗ ΣΚΟΥΠΑ ΠΟΥ ΔΕΝ ΧΡΗΣΙΜΟΠΟΙΕΙΤΕ.** Όταν δεν βρίσκεται σε χρήση, η ηλεκτρική σκούπα θα πρέπει να αποθηκεύεται σε εσωτερικό χώρο.
26. **Να είστε προσεκτικοί με την ηλεκτρική σας σκούπα.** Ο βίαιος χειρισμός μπορεί να προκαλέσει ρήξη ακόμα και στις πιο ανθεκτικά κατασκευασμένες ηλεκτρικές σκούπες.
27. **Μην προσπαθήσετε να καθαρίσετε το εξωτερικό ή το εσωτερικό με βενζίνη, διαλυτικό ή χημικά καθαρισμού.** Μπορεί να προκληθούν ρωγμές και αποχρωματισμός.
28. **Να μην χρησιμοποιήσετε την ηλεκτρική σκούπα σε ένα κλειστό χώρο όπου υπάρχουν εύφλεκτοι, εκρηκτικοί ή τοξικοί ατμοί που εκπέμπονται από λαδομυογιά, διαλυτικό βαφής, βενζίνη, ορισμένες αντισκωριακές ουσίες, κλπ. ή σε περιοχές όπου είναι παρούσα εύφλεκτη σκόνη.**
29. **Μην αφήνετε το καλώδιο της ηλεκτρικής σκούπας στο πάτωμα μετά την ολοκλήρωση της εργασίας καθαρισμού.** Μπορεί δημιουργήσει τον κίνδυνο σκοντάματος ή ενδέχεται να προκαλέσει βλάβη στην ηλεκτρική σκούπα.
30. **Μη χειρίζεστε το παρών ή οποιοδήποτε άλλο εργαλείο όταν είστε κουρασμένοι ή όταν βρίσκεστε υπό την επήρεια αλκοόλ ή φαρμάκων.**
31. **Ως βασικό κανόνα ασφαλείας, να χρησιμοποιείτε προστατευτικά γυαλιά ή γυαλιά ασφαλείας με ασπίδες στις πλευρές.**
32. **Χρησιμοποιήστε μια μάσκα σκόνης υπό συνθήκες εργασίας όπου επικρατεί η σκόνη.**
33. **Το μηχάνημα αυτό δεν προορίζεται για χρήση από άτομα συμπεριλαμβανομένων των παιδιών με μειωμένες σωματικές, αισθητηριακές ή νοητικές**

- ικανότητες ή που δεν διαθέτουν επαρκή εμπειρίας και γνώση.
34. **Τα μικρά παιδιά θα πρέπει να εποπτεύονται ώστε να διασφαλιστεί ότι δεν παίζουν με την ηλεκτρική σκούπα.**
 35. **Ποτέ να μην χειρίζεστε το βύσμα του καλωδίου ή την ηλεκτρική σκούπα με βρεγμένα χέρια.**
 36. **Δώστε μεγάλη προσοχή κατά τον καθαρισμό πάνω σε σκάλες.**
 37. **Μην χρησιμοποιείτε την ηλεκτρική σκούπα ως σκαμπί ή πάγκο εργασίας. Το μηχάνημα μπορεί να πέσει κάτω και να προκαλέσει προσωπικό τραυματισμό.**

ΚΡΑΤΗΣΤΕ ΓΙΑ ΜΕΛΛΟΝΤΙΚΗ ΑΝΑΦΟΡΑ

⚠️ ΠΡΟΕΙΔΟΠΟΙΗΣΗ:
ΜΗΝ επιτρέψετε στη βολικότητα ή στην εξοικείωσή σας με το προϊόν (που αποκτήθηκε από επανειλημμένη χρήση) να αντικαταστήσει την αυστηρή προσήλωση στους κανόνες ασφαλείας του εν λόγω προϊόντος. Η **ΛΑΝΘΑΣΜΕΝΗ ΧΡΗΣΗ** ή η μη τήρηση των κανόνων ασφαλείας που διατυπώνονται στο παρόν εγχειρίδιο οδηγιών μπορεί να προκαλέσει σοβαρό τραυματισμό.

ΠΕΡΙΓΡΑΦΗ ΛΕΙΤΟΥΡΓΙΑΣ

- ⚠️ ΠΡΟΕΙΔΟΠΟΙΗΣΗ:**
- Πριν συνδέσετε την ηλεκτρική σκούπα στο ηλεκτρικό ρεύμα, βεβαιωθείτε ότι είναι σβηστή. Η σύνδεση στο ρεύμα της ηλεκτρικής σκούπας με ανοικτό το διακόπτη, μπορεί να προκαλέσει την αναπάντεχη εκκίνηση και να προκληθεί σοβαρός προσωπικός τραυματισμός.

Δράση διακόπτη (Εικ. 1)

Για να ξεκινήσετε τη λειτουργία της ηλεκτρικής σκούπας, περιστρέψτε το μοχλό-διακόπτη στη θέση "I". Για να τη σταματήσετε, περιστρέψτε το μοχλό-διακόπτη στη θέση "O". (Εικ. 2)

Η απορροφητική ισχύς μπορεί να ρυθμιστεί αναλόγως των απαιτήσεων της εργασίας σας.

Η απορροφητική ισχύς μπορεί να αυξηθεί με την περιστροφή του κουμπιού ρύθμισης της δύναμης αναρρόφησης από το σύμβολο ⇄ στο σύμβολο ☼. Επίσης, ρυθμίστε τον επιλογέα διαμέτρου του εύκαμπτου σωλήνα στη διάμετρο του εύκαμπτου σωλήνα που πρόκειται να χρησιμοποιήσετε.

Επιλογέας διαμέτρου εύκαμπτου σωλήνα

Στρέψτε την κατεύθυνση του επιλογέα σύμφωνα με τον εύκαμπτο σωλήνα που χρησιμοποιείτε.

ΣΗΜΕΙΩΣΗ:

Μην ρυθμίζετε τον επιλογέα στη μέση. Πάντοτε να στρέφετε προς την μια ή την άλλη πλευρά ανάλογα με τη διάμετρο του εύκαμπτου σωλήνα.

Ηχητικό προειδοποιητικό σήμα

Υπάρχουν δύο τύποι ηχητικών προειδοποιητικών σημάτων. Ο ένας είναι ένας σύντομος προειδοποιητικός ήχος και ο δεύτερος ένας παρατεταμένος.

Όταν η ταχύτητα παροχής αέρα πέφτει κάτω από 20 m/s, η ηλεκτρική σκούπα εκπέμπει ένα σύντομο προειδοποιητικό ήχο για λόγους ασφαλείας. Όταν ακουστεί, ελέγξτε τον επιλογέα της διαμέτρου του εύκαμπτου σωλήνα ή ελέγξτε ότι η δύναμη αναρρόφησης δεν είναι πολύ χαμηλή. Αν συνεχίζουν να ακούγονται οι προειδοποιητικοί ήχοι, εκτελέστε τη συντήρηση ή απευθυνθείτε στο τοπικό κέντρο εξυπηρέτησης. Όταν το δοχείο είναι γεμάτο με υγρό, η ηλεκτρική σκούπα εκπέμπει ένα παρατεταμένο προειδοποιητικό ήχο. Όταν το δοχείο είναι πλήρες και ακούγεται ο ήχος, σβήστε την ηλεκτρική σκούπα και αδειάστε το δοχείο.

Συνδέοντας ηλεκτρικά εργαλεία (Εικ. 3 και 2)

⚠️ ΠΡΟΕΙΔΟΠΟΙΗΣΗ:

- Βεβαιωθείτε ότι τόσο η ηλεκτρική σκούπα όσο και το ηλεκτρικό εργαλείο είναι απενεργοποιημένα πριν τη σύνδεση ή την αποσύνδεση. Η σύνδεση του ηλεκτρικού εργαλείου στην ηλεκτρική σκούπα όταν και τα δύο είναι ενεργά, ενδέχεται να προκαλέσει απροσδόκητη και αιφνίδια έναρξη με αποτέλεσμα το σοβαρό τραυματισμό.
- Μην συνδέετε ποτέ ένα ηλεκτρικό εργαλείο με ισχύ εισόδου, που υπερβαίνει αυτή που αναφέρεται στις "ΠΡΟΔΙΑΓΡΑΦΕΣ", στην πρίζα της ηλεκτρικής σκούπας περιστρέφοντας το κουμπί ρύθμισης της δύναμης αναρρόφησης. Η σύνδεση ενός ηλεκτρικού εργαλείου, η ισχύς του οποίου υπερβαίνει την καθορισμένη ισχύ εισόδου, μπορεί να προκαλέσει υπερθέρμανση και βλάβη της ηλεκτρικής σκούπας.
- Όταν συνδέετε ένα γειωμένο εργαλείο, εισαγάγετε ένα βύσμα με πλάκα γείωσης στην πρίζα της ηλεκτρικής σκούπας.

Η ηλεκτρική σκούπα μπορεί να συνδεθεί σε ένα ηλεκτρικό εργαλείο μέχρι την ισχύ εισόδου που δείχνεται στις "ΠΡΟΔΙΑΓΡΑΦΕΣ".

1. Για να συνδέσετε ένα ηλεκτρικό εργαλείο, ανοίξτε το καπάκι παροχής και τοποθετήστε το βύσμα του ηλεκτρικού εργαλείου στην πρίζα της ηλεκτρικής σκούπας.
2. Όταν συνδέετε ένα ηλεκτρικό εργαλείο ισχύος, ασφαλίστε το καλώδιο τροφοδοσίας και τον εύκαμπτο σωλήνα με τα καλάρια του εύκαμπτου σωλήνα σε τακτά διαστήματα. Αυτό εμποδίζει τον εύκαμπτο σωλήνα από το να μπλέξει με το καλώδιο τροφοδοσίας. (Εικ. 4)
3. Περιστρέψτε τον μοχλό-διακόπτη στη θέση "ΑΥΤΟ".
4. Μετακινήστε το κουμπί ρύθμισης της δύναμης αναρρόφησης στη θέση που είναι κατάλληλη για την ισχύ εισόδου του ηλεκτρικού εργαλείου που σκοπεύετε να χρησιμοποιήσετε.
5. Το άνοιγμα και το κλείσιμο του διακόπτη του συνδεδεμένου ηλεκτρικού εργαλείου επιφέρει ταυτόχρονα τη δράση εκκίνησης και διακοπής της ηλεκτρικής σκούπας. Η ηλεκτρική σκούπα εξακολουθεί να λειτουργεί για μερικά δευτερόλεπτα ακόμη και μετά από την απενεργοποίηση του ηλεκτρικού εργαλείου.
6. Μετά τη χρήση, αποσυνδέστε το ηλεκτρικό εργαλείο από την πρίζα της ηλεκτρικής σκούπας.
7. Σβήστε την ηλεκτρική σκούπα μετά τη χρήση.

Αυτόματη διακοπή αναρρόφησης κατά τη διάρκεια της λειτουργίας αναρρόφησης

⚠️ ΠΡΟΕΙΔΟΠΟΙΗΣΗ:

- **Μην τραβάτε αφρό ή υγρό σαπουνάδας.** Το τράβηγμα αφρού ή υγρού με σαπουνάδα μπορεί να προκαλέσει την έξοδο του αφρού από το σημείο εξόδου αέρα πριν από τη λειτουργία της αυτόματης διακοπής αναρρόφησης. Αν συνεχίσετε τη χρήση σε αυτήν την κατάσταση μπορεί να προκληθεί ηλεκτροπληξία και βλάβη της ηλεκτρικής σκούπας. Η ηλεκτρική σκούπα διαθέτει έναν μηχανισμό που εμποδίζει την είσοδο του νερού στο μοτέρ όταν μαζεύεται περισσότερο από μια ορισμένη ποσότητα νερού. Όταν το δοχείο είναι γεμάτο με υγρό, η ηλεκτρική σκούπα εκπέμπει ένα παρατεταμένο προειδοποιητικό ήχο. Απενεργοποιήστε την ηλεκτρική σκούπα και αδειάστε το δοχείο, όταν ακουστεί αυτό το ηχητικό σήμα.

Χρήση του γάντζου βάσης

⚠️ ΠΡΟΣΟΧΗ:

- **Προσέξτε να μην μαγκώσετε τα δάκτυλά σας κατά το κλείσιμο του γάντζου βάσης.** Αν δεν τηρήσετε αυτή την οδηγία, μπορεί να προκληθεί προσωπικός τραυματισμός.

ΕΙΔΟΠΟΙΗΣΗ:

- Μην ασκείτε υπερβολική δύναμη πάνω στον γάντζο βάσης. Η άσκηση υπερβολικής δύναμης πάνω στο γάντζο βάσης μπορεί να τον καταστρέψει. Κλείστε τον γάντζο βάσης όταν δεν χρησιμοποιείται. Το άνοιγμα του γάντζου βάσης επιτρέπει την ακόλουθη χρήση.

1. Αποθήκευση του καλωδίου τροφοδοσίας (Εικ. 5)

ΕΙΔΟΠΟΙΗΣΗ:

- **Μην χρησιμοποιείτε την ηλεκτρική σκούπα ή ένα συνδεδεμένο ηλεκτρικό εργαλείο με ένα καλώδιο τροφοδοσίας τυλιγμένο πάνω στο γάντζο βάσης.** Η χρήση της ηλεκτρικής σκούπας ή του συνδεδεμένου ηλεκτρικού εργαλείου με το καλώδιο τροφοδοσίας μπορεί να προκαλέσει βλάβη του καλωδίου τροφοδοσίας.

2. Αποθήκευση των μπροστινών μανικετιών (Εικ. 6)

Τα μπροστινά μανικέτια 22, 24 και 38 μπορούν να αποθηκευτούν (μέχρι δύο ταυτόχρονα).

3. Αποθήκευση του εύκαμπτου σωλήνα (Εικ. 7)

4. Στήριξη ένας λογικού μεγέθους ηλεκτρικού εργαλείου για το γάντζο βάσης, όπως ένα δισκοπρίνο. (Εικ. 8)

Κλειδωμα ή ξεκλειδωμα του τροχίσκου (Εικ. 9)

Για να ασφαλίσετε τον τροχίσκο με ένα αναστολέα, χαμηλώστε τον ασφαλιστικό μοχλό και ο τροχίσκος δεν θα μπορεί να περιστραφεί. Για να απελευθερώσετε τον τροχίσκο από την κλειδωμένη θέση, ανυψώστε τον ασφαλιστικό μοχλό.

Το κλειδωμα του τροχίσκου είναι βολικό κατά την αποθήκευση της ηλεκτρικής σκούπας, το σταμάτημα της

εργασίας στο μέσον και τη διατήρηση της ηλεκτρικής σκούπας στην ακίνητη θέση. Για να λειτουργήσει ο ασφαλιστικός μοχλός, μετακινήστε τον με το χέρι.

ΕΙΔΟΠΟΙΗΣΗ:

- Κατά τη μετακίνηση της ηλεκτρικής σκούπας, βεβαιωθείτε ότι ο τροχίσκος είναι ξεκλειδωτός. Η μετακίνηση της ηλεκτρικής σκούπας με τον τροχίσκο στην ασφαλισμένη θέση, μπορεί να προκαλέσει βλάβη στον τροχίσκο.

Καπάκι

Υπάρχει ένα καπάκι στην είσοδο στερέωσης. Το καπάκι εμποδίζει την απορροφηθείσα σκόνη να βγει από την ηλεκτρική σκούπα.

ΣΥΝΑΡΜΟΛΟΓΗΣΗ

ΠΡΟΕΙΔΟΠΟΙΗΣΗ:

- Η συσκευή αυτή μπορεί να περιέχει επικίνδυνη σκόνη. Κατά την αντικατάσταση των στοιχείων του φίλτρου και τη σακούλα συλλογής σκόνης, χρησιμοποιείτε πάντοτε μια αναπνευστική συσκευή Ρ2.
- Να βεβαιώνετε πάντοτε ότι η ηλεκτρική σκούπα είναι σβηστή και αποσυνδεδεμένη από το ηλεκτρικό ρεύμα πριν εκτελέσετε οποιαδήποτε εργασία σε αυτή.
- Μην ενεργοποιείτε ποτέ έως ότου όλα τα φίλτρα και η σακούλα συλλογής σκόνης έχουν εγκατασταθεί πλήρως και έχει δοκιμαστεί ο ρυθμιστής της έντασης ροής.

Τοποθέτηση και απόρριψη του σάκου φίλτρου

ΠΡΟΕΙΔΟΠΟΙΗΣΗ:

- Πάντα να χρησιμοποιείτε μια αναπνευστική συσκευή Ρ2.
- Όταν χρησιμοποιείτε το σάκο φίλτρου, να χρησιμοποιείτε επίσης μαζί και το φίλτρο αέρα που είναι προεγκατεστημένο στο εργαλείο. Αν δεν χρησιμοποιήσετε μαζί το φίλτρο αέρα μπορεί να προκληθεί ασυνήθιστος θόρυβος και θερμότητα, με αποτέλεσμα την πυρκαγιά.

ΠΡΟΣΟΧΗ:

- Ποτέ μην μαζεύετε νερό ή άλλα υγρά ή υγρές σκόνες όταν χρησιμοποιείται το σάκο του φίλτρου. Το μάζεμα τέτοιων πραγμάτων μπορεί να προκαλέσει τη θραύση του σάκου του φίλτρου.
- 1. Επεκτείνετε το σάκο του φίλτρου. **(Εικ. 10)**
- 2. Ευθυγραμμίστε το άνοιγμα του σάκου του φίλτρου με το άνοιγμα αναρρόφησης σκόνης της ηλεκτρικής σκούπας. **(Εικ. 11)**
- 3. Τοποθετήστε το ναστόχαρτο του σάκου του φίλτρου στο εργαλείο έτσι ώστε να είναι τοποθετημένο στην άκρη πέρα από την προεξοχή συγκράτησης. Όταν απορρίπτετε το σάκο του φίλτρου, τραβήξτε την άκρη του στομίου του σάκου του φίλτρου ώστε το στόμα να κλείνει από ένα χαρτί.

Εγκατάσταση του σάκου πολυαιθυλενίου

Η ηλεκτρική σκούπα μπορεί επίσης να χρησιμοποιηθεί χωρίς τον σάκο πολυαιθυλενίου. Ωστόσο, με τη χρήση

του σάκου πολυαιθυλενίου γίνεται πιο εύκολο το άδειασμα του δοχείου χωρίς να βρομιάσετε τα χέρια σας. Απλώστε τον σάκο πολυαιθυλενίου στο δοχείο. Τοποθετήστε τον μεταξύ της πλάκας στηρίγματος και του δοχείου και τραβήξτε τον προς την είσοδο του εύκαμπτου σωλήνα. **(Εικ. 12)** Απλώστε τον σάκο γύρω από την κορυφή του δοχείου. **(Εικ. 13)** Γαντζώστε στην άλλη πλευρά του σάκου γύρω από την κορυφή του δοχείου, έτσι ώστε τον γάντζο του προφίλτρου να μπορεί να πιásiει και κρατήστε το σταθερά.

ΣΗΜΕΙΩΣΗ:

- Μπορεί να χρησιμοποιηθεί ένας σάκος πολυαιθυλενίου που διατίθεται στην αγορά. Συνιστάται ένα πάχος 0,04 mm ή μεγαλύτερο.
- Η μεγάλη ποσότητα σκόνης θα σκίσει εύκολα το σάκο, για αυτό μην γεμίζετε τον σάκο με σκόνη πάνω από το μισό της χωρητικότητάς του.

Απόρριψη του σάκου πολυαιθυλενίου

ΠΡΟΕΙΔΟΠΟΙΗΣΗ:

- Πάντοτε να βεβαιώνετε ότι η ηλεκτρική σκούπα είναι σβηστή και βγαλμένη από την πρίζα πριν αδειάσετε το σάκο πολυαιθυλενίου. Εάν δεν το κάνετε αυτό μπορεί να προκληθεί ηλεκτροπληξία ή προσωπικός τραυματισμός.

ΠΡΟΣΟΧΗ:

- Μην χτυπήσετε δυνατά το φίλτρο αέρα και το δοχείο. Η άσκηση δυνατού χτυπήματος μπορεί να προκαλέσει παραμόρφωση και ζημιά στο φίλτρο αέρα και στο δοχείο.
- Αδειάζετε το δοχείο τουλάχιστον μια φορά την ημέρα, αν και αυτό εξαρτάται από τον όγκο της σκόνης στο δοχείο που έχει μαζευτεί. Διαφορετικά, η δύναμη αναρρόφησης θα εξασθενήσει και ο κινητήρας μπορεί να πάθει ζημιά.
- Μη πιάνετε το γάντζο κατά το άδειασμα του δοχείου. Το πιάσιμο του γάντζου μπορεί να προκαλέσει το σπάσιμο του γάντζου.

Απαγκιστρώστε και ανασηκώστε το κάλυμμα του δοχείου. **(Εικ. 14)**

Βγάλτε το σάκο πολυαιθυλενίου από το δοχείο. **(Εικ. 15)**

ΣΗΜΕΙΩΣΗ:

- Βγάλτε το σάκο πολυαιθυλενίου προσεκτικά έξω από το δοχείο, έτσι ώστε ο σάκος πολυαιθυλενίου να μην μπορεί να σχιστεί από την προεξοχή μέσα στο δοχείο κατά την εκκένωση.
- Αδειάστε το σάκο πολυαιθυλενίου πριν γεμίσει. Η πάρα πολύ μεγάλη ποσότητα σκόνης στο δοχείο μπορεί να προκαλέσει το σχίσιμο του σάκου πολυαιθυλενίου.

Σύνδεση ενός εύκαμπτου σωλήνα

ΠΡΟΣΟΧΗ:

- Ποτέ μην πιέζετε τον εύκαμπο σωλήνα για να τον κάμψετε ή να τον σταμπάρετε. Ποτέ μην μετακινείτε την ηλεκτρική σκούπα από τον εύκαμπο σωλήνα. Η άσκηση δύναμης, το σταμπάρισμα και το τράβηγμα του εύκαμπτου σωλήνα μπορεί να προκαλέσει θραύση ή παραμόρφωση του σωλήνα.
- Κατά το μάζεμα μεγάλων αποβλήτων, όπως αποκόμματα πλάνης, σκόνες από σκυρόδεμα ή παρόμοια, εκτός από τα μικρά απόβλητα,

χρησιμοποιήστε τον εύκαμπο σωλήνα με εσωτερική διάμετρο 38 mm (προαιρετικό αξεσουάρ). Η χρήση του εύκαμπτου σωλήνα με εσωτερική διάμετρο 28 mm μπορεί να προκαλέσει το βούλωμα του σωλήνα και ζημιά.

- Τοποθετείτε πάντα το καπάκι στην είσοδο στερέωσης κάθε φορά που αφαιρείτε τον εύκαμπο σωλήνα από το εργαλείο.

Αφαιρέστε το καπάκι από την είσοδο στερέωσης. Μπορείτε να τοποθετήσετε το καπάκι στον πολλαπλό γάντζο όταν ο εύκαμπος σωλήνας είναι συνδεδεμένος στο εργαλείο. **(Εικ. 16)**
Εισάγετε τον εύκαμπο σωλήνα μέσα στην είσοδο του δοχείου και περιστρέψτε τον δεξιόστροφα έως ότου ασφαλίσει. **(Εικ. 17)**

ΛΕΙΤΟΥΡΓΙΑ

ΠΡΟΕΙΔΟΠΟΙΗΣΗ:

- Πάντα να χρησιμοποιείτε μια αναπνευστική συσκευή P2.

ΠΡΟΣΟΧΗ:

- Αν διαφεύγει υγρό από το εργαλείο, σβήστε το αμέσως. Αν συνεχίσετε τη χρήση σε αυτήν την κατάσταση μπορεί να προκληθεί ηλεκτροπληξία και βλάβη της ηλεκτρικής σκούπας.

ΣΥΝΤΗΡΗΣΗ

ΠΡΟΕΙΔΟΠΟΙΗΣΗ:

- Πάντα να χρησιμοποιείτε μια αναπνευστική συσκευή P2 κατά τη συντήρηση.

ΠΡΟΣΟΧΗ:

- Να βεβαιώνετε πάντοτε ότι το εργαλείο είναι σβηστό και αποσυνδεδεμένο από το ηλεκτρικό ρεύμα πριν εκτελέσετε οποιαδήποτε εργασία ελέγχου ή συντήρησης σε αυτό.
- Μην χρησιμοποιήσετε βενζίνη, βενζόλη, διαλυτικό, αλκοόλη ή κάτι παρόμοιο. Μπορεί να προκληθεί αποχρωματισμός, παραμόρφωση ή ρωγμές.
- Μια τεχνική επιθεώρηση, συμπεριλαμβανομένης της επιθεώρησης των φίλτρων, της αεροστεγανότητας και του μηχανισμού ελέγχου, πρέπει να εκτελείται από ένα καταρτισμένο άτομο τουλάχιστον μία φορά το χρόνο.
- Κατά τη διάρκεια της συντήρησης, όλα τα μολυσμένα αντικείμενα που δεν μπορούν να καθαριστούν ικανοποιητικά θα πρέπει να απορρίπτονται. Τα στοιχεία αυτά θα πρέπει να απορρίπτονται μέσα σε αδιαπέραστες σακούλες σύμφωνα με τους κανονισμούς της χώρας σας.
- Μετά από εργασία σε επικίνδυνη περιοχή, το εξωτερικό του εργαλείου πρέπει να απολυμανθεί με μεθόδους καθαρισμού που περιλαμβάνουν κενό και να σκουπιστεί ή να υποστεί επεξεργασία με σιλικόνη πριν βγάλετε το εργαλείο από την επικίνδυνη περιοχή. Όλα τα εξαρτήματα της συσκευής θα πρέπει να θεωρούνται ως μολυσμένα όταν αφαιρεθούν από την επικίνδυνη ζώνη και πρέπει να ληφθούν κατάλληλα μέτρα για την αποφυγή της διασποράς της σκόνης.
- Αλλάξτε το φίλτρο αέρα, όταν το φίλτρο αέρα είναι βουλωμένο με σκόνη ή πιστεύετε ότι έχει μειωθεί η απόδοση καθαρισμού.
- Ελέγξτε περιοδικά τα φίλτρα. Εάν υπάρχει φθορά σε αυτά, αντικαταστήστε τα αμέσως.

Αφαίρεση του φίλτρου αέρα

ΠΡΟΣΟΧΗ:

- Περιμένετε περίπου 5 λεπτά έτσι ώστε η σκόνη στο δοχείο να κατακαθίσει εντελώς.
- Φροντίστε ώστε το εργαλείο να είναι αποσυνδεδεμένο από την ηλεκτρική παροχή.
- Προσέξτε να μην αφήσετε τη σκόνη να μπει μέσα στο εσωτερικό κάλυμμα του δοχείου κατά την αφαίρεση του φίλτρου αέρα.

Απαγκιστρώστε το κάλυμμα του δοχείου και αφαιρέστε το προσεκτικά. Τοποθετήστε την πάνω πλευρά προς τα κάτω. **(Εικ. 18)**

Ξεκλειδώστε τους γάντζους του φίλτρου γυρίζοντας τον αναστατικό μοχλό. **(Εικ. 19)**

Καλύψτε τα φίλτρα αέρα με ένα πλαστικό σάκο. **(Εικ. 20)**

Αφαιρέστε τα φίλτρα αέρα από το κάλυμμα του δοχείου προσεκτικά και δέστε σταθερά τον πλαστικό σάκο. **(Εικ. 21)**

Συναρμολόγηση του φίλτρου αέρα

Όταν έχετε ξεχωριστά τα εξαρτήματα του φίλτρου αέρα, συναρμολογήστε τα ως εξής.

Τοποθετήστε το προφίλτρο πάνω από το φίλτρο σκόνης. **(Εικ. 22)**

Βεβαιωθείτε ότι έχουν τοποθετηθεί σωστά τα περιθώρια του προφίλτρου και του φίλτρου σκόνης. **(Εικ. 23)**

Τοποθέτηση του φίλτρου αέρα

Σκουπίστε την επιφάνεια της τσιμούχας.

Τοποθετήστε τα νέα φίλτρα αέρα και στερεώστε τα με τους γάντζους των φίλτρων. **(Εικ. 24)**

Γυρίστε τον ασφαλιστικό μοχλό για να ασφαλίσετε τα φίλτρα αέρα.

Τοποθετήστε το κάλυμμα του δοχείου πάνω στο δοχείο και ασφαλίστε το με τους γάντζους. **(Εικ. 25)**

ΕΙΔΟΠΟΙΗΣΗ:

- Βεβαιωθείτε ότι οι γάντζοι στα φίλτρα είναι τοποθετημένοι στη σωστή θέση.

Καθαρισμός των αισθητήρων στάθμης

(Εικ. 26)

Οι αισθητήρες στάθμης ανιχνεύουν υγρό όταν το δοχείο είναι γεμάτο με υγρό. Καθαρίστε από καιρό σε καιρό τους αισθητήρες στάθμης με ένα μαλακό πανί κατά την αλλαγή των φίλτρων αέρα.

Καθαρισμός των φίλτρων αέρα

Τα βουλωμένα φίλτρα προκαλούν κακή απόδοση απορρόφησης.

Καθαρίστε τα φίλτρα από καιρό σε καιρό.

Για να απομακρύνετε τη σκόνη ή τα σωματίδια που έχουν προσκολληθεί στα φίλτρα, αφαιρέστε το προφίλτρο από το φίλτρο αέρα. Και κτυπήστε το προφίλτρο αρκετές φορές.

Περιστασιακά, πλένεται το φίλτρο σκόνης με νερό, ξεπλύνετε και στεγνώστε καλά στη σκιά πριν τη χρήση.

Ποτέ μην πλένετε τα φίλτρα σε πλυντήριο. **(Εικ. 27)**

ΣΗΜΕΙΩΣΗ:

- Μην τρίβετε και ξύνετε το φίλτρο σκόνης, το προφίλτρο ή τον αποσβεστήρα με σκληρά αντικείμενα, όπως μια βούρτσα και ένα ξέστρο.

- Τα φίλτρα είναι αναλώσιμα και συνιστάται η ύπαρξη ανταλλακτικών κομματιών.

Αποθήκευση του καλωδίου τροφοδοσίας (Εικ. 28 και 29)

Τυλίξτε το καλώδιο τροφοδοσίας γύρω από τον πολλαπλό γάντζο ή τον γάντζο της βάσης.

Αποθήκευση των αξεσουάρ

ΣΗΜΕΙΩΣΗ:

- Μην εφαρμόζετε υπερβολική δύναμη στα αξεσουάρ που κρατούνται από το στήριγμα σωλήνων. Η άσκηση υπερβολικής δύναμης σε αυτά τα εξαρτήματα μπορεί να προκαλέσει βλάβη στο στήριγμα σωλήνων.

Η βάση των σωλήνων μπορεί να χρησιμοποιηθεί για την αποθήκευση ίσιου σωλήνα, γωνιασμένου σωλήνα και άλλων υλικών απλά και μόνο με την τοποθέτηση αυτών των αξεσουάρ. (Εικ. 30)

Επίσης οι σωλήνες μπορούν να τοποθετηθούν στο στήριγμα σωλήνων κατά το σύντομο σταμάτημα της χρήσης της ηλεκτρικής σκούπας. (Εικ. 31)
Μπορείτε να τοποθετήσετε το καπάκι στον πολλαπλό γάντζο όταν ο εύκαμπτος σωλήνας είναι συνδεδεμένος στο εργαλείο. (Εικ. 32)

Αποθήκευση του εύκαμπτου σωλήνα (Εικ. 33 και 7)

Ο εύκαμπτος σωλήνας μπορεί να τοποθετηθεί είτε στο γάντζο της βάσης ή στον πολλαπλό γάντζο.
Για τη διασφάλιση της ΑΣΦΑΛΕΙΑΣ και της ΑΞΙΟΠΙΣΤΙΑΣ του προϊόντος, οι επισκευές και οι άλλες εργασίες ρύθμισης και συντήρησης πρέπει να εκτελούνται από Εξουσιοδοτημένα Κέντρα Σέρβις της Makita, χρησιμοποιώντας πάντοτε ανταλλακτικά εξαρτήματα της Makita.

ΠΡΟΑΙΡΕΤΙΚΑ ΑΞΕΣΟΥΑΡ

⚠ ΠΡΟΣΟΧΗ:

- Συνιστάται η χρήση αυτών των αξεσουάρ ή εξαρτημάτων με το εργαλείο της Makita, όπως περιγράφεται στο παρόν εγχειρίδιο. Αν χρησιμοποιήσετε άλλα αξεσουάρ ή εξαρτήματα μπορεί να παρουσιαστεί κίνδυνος για πρόκληση τραυματισμού προσωπών. Να χρησιμοποιείτε τα αξεσουάρ και τα εξαρτήματα μόνο για το σκοπό για τον οποίο προορίζονται.

Αν χρειάζεστε κάποια βοήθεια ή περισσότερες πληροφορίες σχετικά με τα αξεσουάρ αυτά, απευθυνθείτε στο πλησιέστερο κέντρο εξυπηρέτησης της Makita.

- Εύκαμπτος σωλήνας
- Μπροστινά μανικέτια (22, 24, 38)
- Ευθύς σωλήνας
- Γωνιακό ακροφύσιο
- Στρογγυλή βούρτσα
- Φίλτρο σκόνης
- Αποσβεστήρας
- Προφίλτρο
- Συγκρότημα ακροφυσίου
- Γωνιασμένος σωλήνας
- Σάκος πολυαιθυλενίου
- Σάκος φίλτρου
- Κολάρο εύκαμπτου σωλήνα

- Πλήρης ιμάντας γάντζου
- Καπάκι

ΣΗΜΕΙΩΣΗ:

- Ορισμένα από τα στοιχεία της λίστας μπορεί να περιέχονται στη συσκευασία του εργαλείου ως κανονικά αξεσουάρ. Αυτά ενδέχεται να διαφέρουν από χώρα σε χώρα.

Θορύβος

ENG905-1

Το σύνθετο σταθμισμένο επίπεδο θορύβου A που έχει καθοριστεί σύμφωνα με την EN/IEC60704:

Επίπεδο ηχητικής πίεσης (L_{pA}): 72,5 dB (A)

Αξεβαιοότητα (K): 2,5 dB (A)

Το επίπεδο θορύβου κατά τη λειτουργία ενδέχεται να υπερβεί τα 80 dB (A).

Να φοράτε ωτοασπίδες.

Δόνηση

ENG900-1

Η συνολική τιμή δόνησης (διανυσματικό άθροισμα τριών αξόνων) που έχει καθοριστεί σύμφωνα με την EN/IEC60335:

Η τιμή εκπομπής δόνησης είναι κάτω από 2,5 m/s².

Για τις ευρωπαϊκές χώρες μόνο

ENH038-3

ΕΚ – Δήλωση συμμόρφωσης

Η Makita δηλώνει ότι το παρακάτω μηχανήμα(τα):

Ονομασία μηχανήματος:

Ηλεκτρική σκούπα

Αρ. Μοντέλου/Τύπος: VC2211M, VC3211M

Συμμορφώνονται με τις ακόλουθες Ευρωπαϊκές

Οδηγίες:

2006/42/EK

Κατασκευάζονται σύμφωνα με το παρακάτω πρότυπο ή τυποποιημένα έγγραφα:

EN60335

Το τεχνικό αρχείο σύμφωνα με την 2006/42/EK είναι διαθέσιμο από:

Makita, Jan-Baptist Vinkstraat 2, 3070, Belgium

25. 11. 2014



Yasushi Fukaya

Διευθυντής



Makita, Jan-Baptist Vinkstraat 2, 3070, Belgium

TÜRKÇE (Orijinal talimatlar)

Genel görünüm

1. Emiş kuvveti ayar düğmesi
2. Hortum çapı seçim düğmesi
3. Açma/kapama düğmesi
4. Priz kapağı
5. Elektrik kablosu
6. Hortum bandı
7. Kablo haznesi
8. Ön kelepçeler
9. Hortum
10. SERBEST konum
11. KLİTLİ konum
12. Kilitleme pedali
13. Rulet
14. Filtre torbası
15. Tutucu levha
16. Polietilen torba
17. Tank
18. Tank kapağı
19. Kanca
20. Kapak
21. Toz filtresi
22. Muhafaza
23. Ön filtre
24. Seviye sensörleri
25. Çoklu kanca

TEKNİK ÖZELLİKLER

Model		VC2211M/VC3211M			
Ülkeler		AB	İsviçre	Birleşik Krallık	
Gerilim	Volt	230-240	230-240	110	230-240
Güç tüketimi	Vat	1.050	1.050	1.050	1.050
Cihaz prizi için bağlantı yükü	 simgesi modunda Vat	2.400	1.100	600	1.900
	 simgesi modunda Vat	2.600	1.400	850	2.100
Toplam bağlantı yükü	Vat	3.450	2.150	1.650	2.950


Model		VC2211M	VC3211M
Debi (hava)	ø28 mm X 3,5 m hortumla	2,0 m ³ /dak	
	ø38 mm X 2,5 m hortumla	3,5 m ³ /dak	
Çekiş basıncı		22 kPa	
Koruma tipi		IP X4 (su sıçramasına karşı dayanıklı)	
Kullanılabilir kapasite	Toz	22 L	32 L
	Su	17 L	27 L
Boyutlar (U x G x Y)		552 mm x 398 mm x 569 mm	552 mm x 398 mm x 685 mm
Net ağırlık		16,3 kg	16,9 kg
Güvenlik sınıfı		Sınıf I	


- Sürekli yapılan araştırma ve geliştirmelerden dolayı, burada belirtilen özellikler önceden bildirilmeksizin değiştirilebilir.
- Özellikler ülkeden ülkeye farklılıklar gösterebilir.
- EPTA Prosedürü 01/2003 uyarınca ağırlık


Simgeler


END112-4


Makine için kullanılan simgeler aşağıda gösterilmiştir. Makineyi kullanmaya başlamadan önce bu simgelerin ne anlama geldiğini öğrenin.

 Kullanım kılavuzunu okuyun.

 Gerekli önlemleri alın ve dikkatli olun.

 Uyarı! Elektrik süpürgesi tehlikeli tozlar içerebilir.

 Kesinlikle elektrik süpürgesi üzerine çıkmayın.

 Toz sınıfı M (orta). Elektrik süpürgeleri L ve M sınıfı tozları çekebilir. Tozlar ve işçi sağlığı ve iş güvenliği ile ilgili ülkenizde geçerli yönetmelikleri dikkate alın.



..... Sadece AB ülkeleri için Elektrikli cihazları evdeki çöp kutusuna atmayın! Kullanılmış elektrikli cihazları, Elektrikli ve Elektronik Cihaz Atıkları Hakkındaki Avrupa Yönergesine göre ve bu yönergeler ulusal hukuk kurallarına göre uyarlanarak, ayrı olarak toplanmalı ve çevre şartlarına uygun bir şekilde tekrar değerlendirmeye gönderilmelidir.

Kullanım amacı

ENE084-1

Bu makine hem yaş, hem kuru toz temizleme işlemi için tasarlanmıştır. Bu makine oteller, okullar, hastaneler, fabrikalar, mağazalar, ofisler ve kiralama şirketleri gibi yerlerde ticari kullanım için uygundur.

Güç kaynağı

ENF001-1

Makine yalnızca üzerindeki etikette belirtilen gerilim değerlerine sahip, tek fazlı AC güç kaynaklarına bağlanmalıdır. Operatörün elektrik çarpmasına karşı korunması için bu makinenin kullanım sırasında

topraklanması gerekir. Yalnızca üç çatallı topraklı tipte fişleri ve makinenin fişine uygun üç kutuplu prizleri olan üç telli uzatma kabloları kullanılmalıdır.

ELEKTRİK SÜPÜRGESİYLE İLGİLİ GÜVENLİK UYARILARI

ENB119-5

⚠ UYARI! Makineyi **KULLANMAYA BAŞLAMADAN ÖNCE** tüm güvenlik uyarılarını ve tüm talimatları **DİKKATLİCE OKUYUN**. Verilen uyarılara ve talimatlara uyulmaması elektrik çarpmasına, yangına ve/veya ciddi yaralanmalara yol açabilir.

- Bu elektrik süpürgesini kullanmaya başlamadan önce, kullanıcıların kullanım talimatları konusunda yeterli eğitimi aldıklarından emin olun.**
- Elektrik süpürgesi üzerindeki prizi yalnızca bu kılavuzda belirtilen amaçlar için kullanın.**
- Köpük/sıvı çıkarsa, makineyi derhal kapatın.**
- Su seviyesi sınırlama cihazını düzenli olarak temizleyin ve üzerinde hasar izleri olup olmadığını kontrol edin.**
- Elektrik süpürgesini filtresiz kullanmayın. Hasarlı filtreleri derhal değiştirin.**
- UZATMA KABLOSU KULLANIMI.** Çalıştığınız yerin güç kaynağına uzak olması nedeniyle bir uzatma kablosu kullanmanız gerekiyorsa, yeterli kalınlıkta ve fazla uzun olmayan bir kablo kullanmaya çalışın, aksi takdirde elektrik süpürgezinin performansı olumsuz etkilenecektir. Açık havada çalışırken, mutlaka açık havada kullanıma uygun bir uzatma kablosu kullanın.
- GERİLİM UYARISI:** Elektrik süpürgeyi bir güç kaynağına (jeneratör, priz vs.) bağlamadan önce, beslenen gerilimin süpürge üzerindeki etikette belirtilen gerilimle aynı olduğundan emin olun. Elektrik süpürgesi üzerinde belirtilen değerden yüksek gerilime sahip bir güç kaynağı operatörün **CİDDİ ŞEKLİDE YARALANMASINA** ve süpürge zarar görmesine neden olabilir. Bu konuda şüpheniz varsa, **SÜPÜRGENİZİ BU TÜR GÜÇ KAYNAKLARINA BAĞLAMAYIN**. Etiket üzerinde belirtilen değerden düşük gerilime sahip bir güç kaynağının kullanımı ise motora zarar verir.
- MAKİNENİN YANLIŞLIKLA ÇALIŞMASINA İZİN VERMEYİN.** Fişi takarken makinenin **KAPALI** olduğundan emin olun.
- Süpürgeyle tutuşabilir maddeleri, havai fişekleri, yanan sigaraları, sıcak külleri, sıcak metal parçalarını ve jilet, iğne, cam kırığı vs. gibi keskin nesnelere temizlemeye çalışmayın.**
- ELEKTRİK SÜPÜRGESİNİ BENZİN, GAZ, BOYA, YAPIŞKAN MADDE VEYA BENZERİ YÜKSEK PATLAMA RİSKİNE SAHİP MADDELERİN YAKININDA KESİNLİKLE KULLANMAYIN.** AÇIK ve KAPALI konuma getirilirken açma/kapama düğmesi kıvılcım çıkarır. Çalışma esnasında da motordan benzer kıvılcımlar çıkabilir. Neticesinde de tehlikeli bir patlama meydana gelebilir.
- Zehirli, kansere yol açabilen, tutuşabilir ve asbest, arsenik, baryum, berilyum, kurşun, böcek ilaçları vs. gibi diğer tehlikeli maddeleri ve sağlık açısından zararlı maddeleri kesinlikle elektrik süpürgesiyle temizlemeye çalışmayın.**
- Elektrik süpürgesini hava yağmurluysen açık alanda kullanmayın.**
- Süpürgeyi ısı kaynaklarının (soba vs.) yakınında kullanmayın.**
- ELEKTRİK ÇARPMASINA KARŞI DİKKATLİ OLUN.** Topraklı yüzeylerle vücut temasından kaçının. Borular, radyatörler, fırın ve buzdolabı kasaları bu tür topraklı yüzeylere örnektir.
- Soğutma deliklerini tıkmayın.** Bu delikler motorun soğumasını sağlar. Tıkanıklıklar dikkatli bir şekilde giderilmelidir, aksi takdirde motor hasarız kalacağından yanacaktır.
- Her zaman yere sağlam basın ve dengeyi koruyun.**
- ELEKTRİK KABLOSUNU BAŞKA AMAÇLA KULLANMAYIN.** Elektrik süpürgesini kesinlikle kablosundan tutarak taşımayın ve prizden çıkarırken kablosundan çekmeyin. Kabloyu ısıdan, yağdan ve keskin kenarlardan uzak tutun. Elektrik süpürgezinin elektrik kablosunu düzenli olarak kontrol edin ve hasar görmüşse yetkili servis tarafından onarılmasını sağlayın. Uzatma kablolarını düzenli olarak kontrol edin ve hasarlıysa değiştirin.
- Hortumu bükmeyin, hızlı çekmeyin ve üzerine basmayın.**
- Çalışma sırasında düşük performans veya normal bir durum tespit ederseniz, elektrik süpürgesini derhal durdurun.**
- ELEKTRİK SÜPÜRGESİNİ PRİZDEN ÇEKİN.** Kullanmadığımızda, bakım işlemlerinden önce ve aksesuarlarını değiştirirken elektrik süpürgesini mutlaka prizden çekin.
- Elektrik süpürgesini daima ilk gündüz halinde tutmak için her kullanımdan sonra süpürgeyi temizleyin ve bakımını yapın.**
- ELEKTRİK SÜPÜRGEZİNİZİN BAKIMINI DİKKATLİCE YAPIN.** Daha yüksek ve güvenli bir performans elde etmek için elektrik süpürgesini temiz tutun. Aksesuarları değiştirirken ilgili talimatları takip edin. Makinenin saplarını mutlaka kuru ve temiz tutun ve saplara yağ veya gres bulaşmasına izin vermeyin.
- PARÇALARIN HASARLI OLUŞMADIĞINI KONTROL EDİN.** Elektrik süpürgesini kullanmaya devam etmeden önce, işlevlerini gerektiği şekilde yerine getirdiklerinden emin olmak için muhafazanın veya diğer parçaların hasar görüp görmediğini kontrol edin. Hareketli parçalardaki ayar bozukluklarını, eğilmeleri, kırık parçaları ve makinenin işleyişini etkileyebilecek diğer her tür durumu kontrol edin. Hasar gören muhafazalar ve diğer parçalar, bu kılavuzda aksi belirtilmediği sürece yetkili servis tarafından tamir edilmeli veya değiştirilmelidir. Hasarlı açma/kapama düğmeleri yetkili servis merkezi tarafından değiştirilmelidir. Açma/kapama düğmesi gerektiği gibi çalışmayan bir elektrik süpürgesini kullanmayın.
- YEDEK PARÇALAR.** Servis sırasında, yalnızca orijinal parçalarla aynı yedek parçaların kullanılmasına dikkat edin.
- ELEKTRİK SÜPÜRGENİZİ KULLANMADIĞINIZDA KALDIRIN.** Süpürgeyi kullanmadığınız zamanlarda kapalı bir yere kaldırın.

26. Elektrik süpürgeye iyi bakın. Hor kullanılması en dayanıklı elektrik süpürgesinin bile arızalanmasına ve hasar görmesine neden olabilir.
27. Süpürge için iç veya dış parçalarını benzin, tiner veya kimyasal temizlik maddeleri kullanarak temizlemeye çalışmayın. Aksi takdirde, çatlaklar ve renk bozuklukları meydana gelebilir.
28. Elektrik süpürgeyi yağ bazlı boyalardan, boya tinerinden, benzinden, bazı güve önleyici maddelerden vs. tutuşabilir, patlayıcı veya zehirli buharların çıkabileceği kapalı alanlarda veya tutuşabilir tozların bulunduğu ortamlarda kesinlikle kullanmayın.
29. Çalışmanız bittikten sonra süpürge için elektrik kablosunu yerde bırakmayın. Bu durum, birinin kabloya takılıp düşmesine veya elektrik süpürgesinin hasar görmesine neden olabilir.
30. Uyuşturucu maddelerin ve alkolün etkisi altındayken bu ve hiçbir makineyi kullanmayın.
31. Temel bir güvenlik kuralı olarak, koruyucu gözlükler veya yan tarafı siperli koruyucu gözlükler kullanın.
32. Tozlu çalışma ortamlarında toz maskesi kullanın.
33. Bu makine fiziksel, algısal veya akli olarak yeterli olmayan veya deneyim ve bilgi eksikliği bulunan kişiler ve çocukların kullanımı için uygun değildir.
34. Küçük çocuklar elektrik süpürgesiyle oynamaları konusunda uyarılmalıdır.
35. Elektrik süpürgesine, fişine ve kordonuna kesinlikle elleriniz ıslakken dokunmayın.
36. Basamaklarda çalışırken çok daha dikkatli olun.
37. Elektrik süpürgesini tabure veya çalışma tezgahı olarak kullanmayın. Aksi takdirde, makine düşebilir ve yaralanmalara yol açabilir.

DAHA SONRA BAŞVURMAK ÜZERE SAKLAYIN

⚠ UYARI:

Ürünü kullanırken defalarca kullanmanın getirdiği rahatlık ve tanıdıklık duygusunun, güvenlik kurallarına sıkı sıkıya bağlı kalmanızı önlemesine İZİN VERMEYİN. YANLIŞ KULLANIM veya bu kullanım kılavuzunda belirtilen güvenlik kurallarına uyulmaması ciddi yaralanmalara neden olabilir.

KULLANIMA İLİŞKİN TANIMLAR

⚠ UYARI:

- Elektrik süpürgesini fişe takmadan önce makinenin kapalı konumda olduğundan emin olun. Elektrik süpürgesinin, açma/kapama düğmesi açıkken prize takılması makinenin istenmeyen şekilde çalışmasına ve neticesinde ciddi yaralanmalara neden olabilir.

Açma/kapatma işlemi (Şekil 3)

Elektrik süpürgesini çalıştırmak için, açma/kapama düğmesini "I" tarafına getirin. Elektrik süpürgesini durdurmak için ise açma/kapama düğmesini "O" tarafına getirin. (Şekil 2)
Emiş kuvveti, çalışma ihtiyacınıza bağlı olarak ayarlanabilir.

Emiş kuvveti, emiş kuvveti ayar düğmesi ⇄ simgesinden ⇄ simgesine getirilerek yükseltilebilir. Ayrıca, hortum çapı seçim düğmesini kullanacağınız hortum çapına ayarlayın.

Hortum çapı seçim düğmesi

Düğmeyi kullanacağınız hortuma göre uygun yöne çevirin.

NOT:

Düğmeyi ortaya ayarlamayın. Hortum çapına göre iki taraftan birine sonuna kadar çevirin.

Uyarı sesi

İki farklı tipte uyarı sesi mevcuttur. Bir tanesi kısa bip sesi, diğeri uzun bip sesidir.

Hava akış hızı 20 m/sn değerinin altına düştüğünde, elektrik süpürgesi güvenlik nedeniyle kısa uyarı bip sesleri çıkarır. Bu sesleri duyduğunuzda, hortum çapı seçim düğmesini ve emiş kuvvetinin çok düşük olmadığını kontrol edin. Bip sesleri devam ediyorsa, bakım yapın veya size en yakın servis merkezine danışın.

Tank suyla doluyorsa, elektrik süpürgesi uzun bip sesi çıkarır.

Tank doluyorsa ve bip sesi çıkıyorsa, elektrik süpürgesini kapatın ve tankı boşaltın.

Elektrikli cihazların bağlanması (Şekil 3 ve 2)

⚠ UYARI:

- Bir elektrikli cihazı bağlamadan veya sökmeden önce hem elektrik süpürgesinin, hem de cihazın kapalı konumda olduğundan emin olun. Açık konumdaki bir elektrikli cihazın açık konumdaki bir elektrik süpürgesine bağlanması, cihazın ani ve beklenmedik bir şekilde çalışmasına ve neticesinde ciddi yaralanmalara neden olabilir.
- "TEKNİK ÖZELLİKLER" bölümünde belirtilen sınırın üzerinde çekilen güç değerine sahip elektrikli cihazları kesinlikle emiş kuvveti ayar düğmesi çevirerek elektrik süpürgesi üzerindeki cihaz prize takmayın. Belirtilen çekilen güç değerini aşan elektrikli cihazların elektrik süpürgesine bağlanması aşırı ısınmaya ve elektrik süpürgesinin hasar görmesine neden olabilir.
- Topraklı bir cihaz bağlarken, topraklama levhali fişi elektrik süpürgesinin cihaz prize takın.

Elektrik süpürgesine yalnızca "TEKNİK ÖZELLİKLER" bölümünde belirtilen çekilen güç değerini aşmayan elektrikli cihazlar bağlanabilir.

1. Bir elektrikli cihazı bağlamadan önce, priz kapağını açın ve elektrikli cihazın fişini elektrik süpürgesi üzerindeki cihaz prize takın.
2. Üzerindeki cihazı bağlarken, elektrik kablosunu ve hortumu belirli aralıklarla yerleştirilen hortum bantlarıyla sabitleyin. Böylece, hortumun elektrik kablosuna dolaşması engellenir. (Şekil 4)
3. Açma/kapama düğmesini "AUTO" konumuna getirin.
4. Emiş kuvveti ayar düğmesini, kullanmayı düşündüğünüz elektrikli cihazın çektiği güce uygun bir konuma getirin.
5. Bağlanan elektrikli cihaz açık konuma getirildiğinde elektrik süpürgesi de açılacak, kapalı konuma getirildiğinde süpürge de kapanacaktır. Elektrik

- süpürgesi, takılan elektrikli cihaz kapalı konuma getirildikten sonra birkaç saniye daha çalışır.
6. Çalışmanız bittikten sonra, elektrikli cihazı elektrik süpürgesi prizinden çıkartın.
 7. Çalışmanız bittikten sonra elektrik süpürgesini kapatın.

Emiş işlemi sırasında otomatik emiş durdurma

⚠ UYARI:

- **Köpük veya sabunlu siviları çekmeyin.** Köpük veya sabunlu su çekilmesi, otomatik emiş durdurma devreye girmeden önce hava çıkışından köpük gelmesine neden olabilir. Elektrik süpürgesinin bu şekilde kullanılmaya devam edilmesi, elektrik çarpmasına ve süpürge arızasına neden olabilir.

Elektrik süpürgesi, belirli bir miktarın üzerinde su çekildiğinde motora su girmesini önleyen bir mekanizmaya sahiptir.

Tank suyla doluyrsa, elektrik süpürgesi uzun bip sesi çıkarır. Bu bip sesini duyduğunuzda elektrik süpürgesini kapatın ve tankı boşaltın.

Kablo haznesinin kullanımı

⚠ DİKKAT:

- **Kablo haznesini kapatırken parmaklarınızı sıkıştırmamaya dikkat edin.** Aksi takdirde, yaralanmalar meydana gelebilir.

İKAZ:

- Kablo haznesine aşırı kuvvet uygulamayın. Aşırı kuvvet uygulanması halinde kablo haznesi hasar görebilir. Kullanmadığınız zamanlarda kablo haznesini kapalı tutun.

Kablo haznesi açılarak aşağıda sıralanan işlemler gerçekleştirilebilir.

1. Elektrik kablosunun saklanması (Şekil 5)

İKAZ:

- **Elektrik süpürgesini veya süpürgeye bağlanan elektrikli cihazı, elektrik kablosu kablo haznesi etrafına sarılıyken çalıştırmayın.** Elektrik süpürgesinin veya süpürgeye bağlanan elektrikli cihazın bu şekilde kullanılması elektrik kablosuna zarar verebilir.

2. Ön kelepçelerin saklanması (Şekil 6)

22, 24 ve 38 numaralı ön kelepçeler (aynı anda yalnızca iki tanesi) saklanabilir.

3. Hortumun saklanması (Şekil 7)

4. Kablo haznesi için makul boyutta bir elektrikli cihazın, örneğin bir sunta kesme makinesinin yerleştirilmesi. (Şekil 8)

Ruletin kilitlemesi ve açılması (Şekil 9)

Ruleti kilitlemek için kilitleme pedalına bastırın. Bu işlemden sonra rulet hareket etmeyecektir. Ruleti tekrar açmak için kilitleme pedalını yukarı doğru çekin. Elektrik süpürgesi kullanılmadığında, çalışmaya ara verdiğinizde ve elektrik süpürgesini sabit tutmak için ruleti kilitlemeniz doğru olacaktır. Kilitleme pedalını elinizle hareket ettirin.

İKAZ:

- Elektrik süpürgesini hareket ettirirken, ruletin kilitleti olmadığından emin olun. Elektrik süpürgesinin rulet kilitleti konumdayken hareket ettirilmesi rulete zarar verebilir.

Kapak

Montaj girişinde bir kapak mevcuttur. Bu kapak, çekilen tozun elektrik süpürgesinden çıkmasını engeller.

MONTAJ

⚠ UYARI:

- Elektrik süpürgesi tehlikeli tozlar içerebilir. Filtre elemanlarını ve toz torbasını değiştirirken, daima bir P2 respiratör kullanın.
- Elektrik süpürgesi üzerinde herhangi bir işlem yapmadan önce makinenin kapalı ve fişinin çekili olduğundan emin olun.
- Tüm filtreler ve toz torbası yerine doğru şekilde takılana ve debi kontrolü test edilene kadar kesinlikle elektrik süpürgesini açmayın.

Filtre torbasının takılması ve atılması

⚠ UYARI:

- Daima bir P2 respiratör kullanın.
- Filtre torbası kullanılırken, önceden makineye takılı olan hava filtresini de kullanın. Hava filtresinin kullanılmaması durumunda anormal gürültü ve ısı meydana gelebilir ve neticesinde yangın çıkabilir.

⚠ DİKKAT:

- Filtre torbasını kullandıktan sonra kesinlikle su veya diğer sıvıları veya yağ tozları çekmeyin. Aksi takdirde, filtre torbası yırtılabilir.

1. Filtre torbasını gerin. (Şekil 10)
2. Filtre torbasının açıklığını elektrik süpürgesinin toz emiş açıklığıyla aynı hizaya getirin. (Şekil 11)
3. Filtre torbasının karton kısmını mandal çıkıntısının ilerisine oturacak şekilde ittin.

Filtre torbasını çıkartırken, kenarı filtre torbasının ağızına doğru, bu kısım bir kağıtla kapanaacak şekilde çekin.

Poliyeten torbanın takılması

Elektrik süpürgesi poliyeten torba takılmadan da kullanılabilir. Ancak, poliyeten torba kullanılması durumunda tankın boşaltılması kolaylaşır ve elleriniz kirlenmez.

Poliyeten torbayı tanka yayın. Tutucu levhayla tank arasından geçirin ve hortum girişine doğru çekin.

(Şekil 12)

Torbayı tankın üst bölümünün etrafına yayın. (Şekil 13) Torbanın diğer kenarını tankın üst bölümü etrafına geçirin. Bu işlem sırasında ön filtre kancasının sağlam şekilde oturduğundan emin olun.

NOT:

- Piyasada satılan poliyeten torbalar kullanılabilir. 0,04 mm ve daha kalın olanlarının kullanılması önerilir.
- Çok fazla toz çekilmesi torbanın kolayca aşınmasına neden olur, bu nedenle toplanan tozun torba kapasitesinin yarısını geçmemesine dikkat edin.

Polietilen torbanın atılması

⚠ UYARI:

- Polietilen torbayı boşaltmaya başlamadan önce mutlaka elektrik süpürgesinin kapalı ve fişinin prizden çekili olduğundan emin olun. Aksi takdirde, elektrik çarptırabilir ve ciddi yaralanmalar ortaya çıkabilir.

⚠ DİKKAT:

- Hava filtresine ve tankına şiddetli bir darbe uygulamamaya dikkat edin. Şiddetli bir darbe uygulanırsa, hava filtresi ve tank yıpranabilir veya hasar görebilir.
- Boşaltma işlemi, tankta toplanan toz miktarına bağlı olmasına rağmen, tankı günde en az bir defa boşaltın. Aksi takdirde, emiş kuvveti zayıflar ve motor arızalanabilir.
- Tankı boşaltırken kancasından tutmayın. Kancadan tutulması kancaya zarar verebilir.

Tank kapağını çıkartın ve kaldırın. **(Şekil 14)**

Polietilen torbayı tanktan çıkarın. **(Şekil 15)**

NOT:

- Polietilen torbayı dikkatli bir şekilde tanktan çıkarın. Bu işlem sırasında polietilen torbanın bir yere takılmamasına ve tank içerisindeki çöküntüye değerek zedelenmemesine dikkat edin.
- Polietilen torbayı tamamen dolmasını beklemeden boşaltın. Tank içerisinde fazla miktarda toz olması, polietilen torbanın aşınmasına neden olabilir.

Hortum bağlanması

⚠ DİKKAT:

- Bükme veya yerleştirmek için hortuma kesinlikle kuvvet uygulamayın. Elektrik süpürgesini kesinlikle hortumundan tutarak taşımayın. Hortuma kuvvet uygulanması veya hortumun bastırılması veya çekilmesi hortumun kopmasına veya hasar görmesine neden olabilir.
- Küçük atıklar dışında planya talaşı, beton tozları vs. gibi kaba atıklar çekilirken, iç çapı 38 mm olan bir hortum (opsiyonel aksesuar) kullanın. İç çapı 28 mm olan bir hortumun kullanılması hortumun tıkanmasına ve zarar görmesine neden olabilir.
- Hortumu makineden her çıkarttığınızda montaj girişinin kapağını kapatın.

Kapağı montaj girişinden çıkartın. Hortum makineye bağlıyken, kapağı çoklu kancaya yerleştirebilirsiniz. **(Şekil 16)**

Hortumu tankın montaj girişine takın ve sabitlene kadar saat yönünde çevirin. **(Şekil 17)**

ÇALIŞTIRMA

⚠ UYARI:

- Daima bir P2 respiratör kullanın.

⚠ DİKKAT:

- Elektrik süpürgesinden köpük veya sıvı gelirse, makineyi derhal kapatın. Elektrik süpürgesinin bu şekilde kullanılmaya devam edilmesi, elektrik çarpmasına ve süpürge arızasına neden olabilir.

BAKIM

⚠ UYARI:

- Bakım gerçekleştirirken daima bir P2 respiratör kullanın.

⚠ DİKKAT:

- Makine üzerinde kontrol veya bakım işlemlerine başlamadan önce mutlaka makinenin kapalı ve fişinin çekili olduğundan emin olun.
- Kesinlikle gazolin, benzin, alkol veya benzeri bir madde kullanmayın. Aksi takdirde renk bozulması, deformasyon veya çatlaklar meydana gelebilir.
- En az yılda bir defa yetkili bir kişi tarafından filtrelerin, hava sızdırmazlığının ve kontrol mekanizmasının kontrolü de dahil teknik kontrol gerçekleştirilmelidir.
- Bakım çalışması tarafından, yeterince temizlenemeyen tüm kirli parçalar mutlaka atılmalıdır. Bu parçalar, ülkenizde uygulanan yönetmeliklere göre geçirmez torbalara atılmalıdır.
- Tehlikeli alanlarda çalışıldıktan sonra, makinenin dış kısmı vakumlu temizlik yöntemleri kullanılarak temizlenmeli ve makine tehlikeli alandan çıkartılmadan önce silinmeli veya uygun bir sızdırmazlık maddesi uygulanmalıdır. Tehlikeli alandan çıkartılan bir makinenin tüm parçaları kirlenmiş olarak kabul edilmeli ve tozun dağılması için uygun önlemler alınmalıdır.
- Hava filtresi tozla tıkalıyken veya elektrik süpürgesinin performansının düştüğünü düşünüyorsanız, hava filtresini değiştirin.
- Filtreleri düzenli olarak kontrol edin. Filtrelerde aşınma varsa, derhal değiştirin.

Hava filtresinin çıkartılması

⚠ DİKKAT:

- Tanktaki tozun tamamen oturması için yaklaşık 5 dakika bekleyin.
- Makinenin fişinin çekili olduğundan emin olun.
- Hava filtresini çıkartırken, tozun tank kapağı içerisine girmemesine dikkat edin.

Tank kapağını çekin ve dikkatlice çıkartın. Baş aşağı çevirin. **(Şekil 18)**

Filtre kancalarını kilitleme pedalından açın. **(Şekil 19)**

Hava filtrelerini plastik bir torbayla sarın. **(Şekil 20)**

Hava filtrelerini tank kapağından dikkatlice çıkartın ve plastik torbayı sağlam şekilde bağlayın. **(Şekil 21)**

Hava filtresinin takılması

Hava filtresi parçalarını ayırırsanız, bu parçaları şu şekilde takın.

Ön filtreyi toz filtresi üzerine yerleştirin. **(Şekil 22)**

Ön filtre ve toz filtresi sınırlarının doğru şekilde ayarlandığından emin olun. **(Şekil 23)**

Hava filtresinin takılması

Sızdırmazlık yüzeyini silin.

Yeni hava filtrelerini ayarlayın ve filtre kancalarıyla sabitleyin. **(Şekil 24)**

Kilitleme pedalıyla hava filtrelerini kilitleyin.

Tank kapağını tanka yerleştirin ve kancalarla kilitleyin. **(Şekil 25)**

İKAZ:

- Filtreler üzerindeki kancaların doğru konuma ayarlandığından emin olun.

Seviye sensörlerinin temizlenmesi (Şekil 26)

Tank suyla dolduğunda seviye sensörleri sıvı algılar. Hava filtrelerini değiştirirken zaman zaman seviye sensörlerini yumuşak bir bezle silerek temizleyin.

Hava filtrelerinin temizlenmesi

Tıkalı bir filtre, emiş performansını düşürür.

Filtreleri düzenli olarak temizleyin.

Filtrelere yapışan tozları ve partikülleri temizlemek için, ön filtreyi hava filtresinden çıkartın. Ön filtreye birkaç defa hafifçe vurun.

Arada sırada toz filtresini su altında yıkayın ve durulayın. Ancak, tekrar kullanmadan önce mutlaka gölgede tamamen kurumasını bekleyin. Filtreleri kesinlikle makinede yıkamayın. (Şekil 27)

NOT:

- Toz filtresi, ön filtre veya muhafaza üzerine kesinlikle fırça veya spatula gibi sert cisimler değdirmeyin.
- Filtrelerin belirli bir kullanım süresi vardır, bu nedenle daima yedeklerinin bulundurulması önerilir.

Elektrik kablosunun saklanması (Şekil 28 ve 29)

Elektrik kablosunu çoklu kanca veya kablo haznesi etrafına sarın.

Aksesuarların saklanması

NOT:

- Boru kanalı tarafından tutulan aksesuarlara aşırı kuvvet uygulamayın. Bu aksesuarlara aşırı kuvvet uygulanması boru kanalına zarar verebilir.

Boru kanalı düz boruların, eğimli boruların ve benzeri parçaların saklanması için kullanılabilir. Bu aksesuarların kanala bastırılması yeterlidir. (Şekil 30)

Borular boru kanalına yerleştirilebilir ve ayrıca elektrik süpürgesi taşınırken düşmemesi için kilitle elektrik süpürgesine sabitlenebilir. (Şekil 31)

Hortum makineye bağlıyken, kapağı çoklu kancaya yerleştirilebilirsiniz. (Şekil 32)

Hortumun saklanması (Şekil 33 ve 7)

Hortumu kablo haznesine veya çoklu kancaya yerleştirilebilirsiniz.

Ürünün EMNİYETLİ ve GÜVENİLİR durumda kalmasını sağlamak için tüm onarımlar, bakım ve ayarlar Yetkili Makita Servis Merkezleri tarafından orijinal Makita yedek parçaları kullanılarak yapılmalıdır.

OPSİYONEL AKSESUARLAR

⚠ DİKKAT:

- Bu kullanım kılavuzunda tanıtılan Makita marka makineyle aşağıdaki aksesuarların ve parçaların kullanılması önerilir. Bunların dışında başka aksesuarların veya parçaların kullanılması yaralanmalara yol açabilir. Aksesuarlar ve parçalar

doğru şekilde ve öngörüldükleri işlevler için kullanılmalıdır.

Aksesuarlara ilişkin daha ayrıntılı bilgi almak için size en yakın yetkili Makita servisine başvurabilirsiniz.

- Hortum
- Ön kelepçeler (22, 24, 38)
- Düz boru
- Köşe alma ucu
- Yuvarlak fırça
- Toz filtresi
- Muhafaza
- Ön filtre
- Uç tertibatı
- Eğimli boru
- Poliyeten torba
- Filtre torbası
- Hortum bandı
- Kemer kancası (tam)
- Kapak

NOT:

- Listedeki bazı parçalar makineyle birlikte standart aksesuar olarak verilebilir. Ürünle verilen aksesuarlar ülkeden ülkeye farklılıklar gösterebilir.

Çalışma Sesi

ENG905-1

EN/IEC60704 uyarınca belirlenen tipik A ağırlıklı çalışma sesi seviyesi:

Ses basıncı seviyesi (L_{pA}): 72,5 dB (A)

Belirsizlik (K): 2,5 dB (A)

Çalışma sırasında çalışma sesi seviyesi 80 dB (A)'yı aşabilir.

Koruyucu kulaklık takın.

Titreşim

ENG900-1

EN/IEC60335'e göre belirlenen toplam titreşim değeri (üç eksenli vektörel toplam):

Titreşim emisyonu değeri 2,5 m/s²'nin altındadır.

Yalnızca Avrupa ülkeleri için

ENH038-3

AT Uygunluk Beyanı

Makita aşağıdaki Makine(ler) ile ilgili şu hususları beyan eder:

Makinenin Adı:

Elektrik Süpürgesi

Model Numarası/Tipi: VC2211M, VC3211M

Şu Avrupa Yönergelerine uygundur:

2006/42/EC

Şu standartlara veya standartlaştırılmış belgelere uygun olarak üretilmiştir:

EN60335

2006/42/EC'ye uygun teknik dosyaya şu adresten ulaşılabilir:

Makita, Jan-Baptist Vinkstraat 2, 3070, Belçika

25. 11. 2014

Yasushi Fukaya

Müdür

Makita, Jan-Baptist Vinkstraat 2, 3070, Belçika

Makita Jan-Baptist Vinkstraat 2, 3070, Belgium
Makita Corporation Anjo, Aichi, Japan

885182-932

www.makita.com

ALA