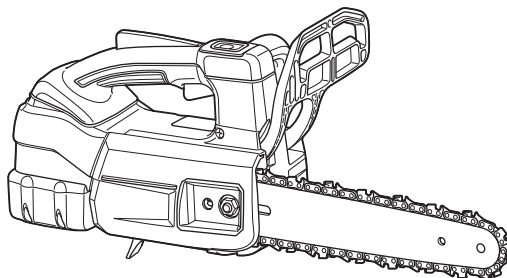




EN	Cordless Chain Saw	INSTRUCTION MANUAL	8
PL	Akumulatorowa Pilarka Łańcuchowa	INSTRUKCJA OBSŁUGI	20
HU	Akkumulátoros láncfűrész	HASZNÁLATI KÉZIKÖNYV	33
SK	Akumulátorová reťazová píla	NÁVOD NA OBSLUHU	46
CS	Akumulátorová řetězová pila	NÁVOD K OBSLUZE	58
UK	Бездротова ланцюгова пила	ІНСТРУКЦІЯ З ЕКСПЛУАТАЦІЇ	70
RO	Ferăstrău cu lanț cu acumulator	MANUAL DE INSTRUCȚIUNI	85
DE	Akku-Kettensäge	BETRIEBSANLEITUNG	98

DUC204
DUC254
DUC254C



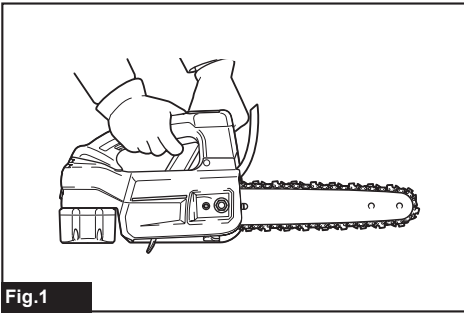


Fig.1

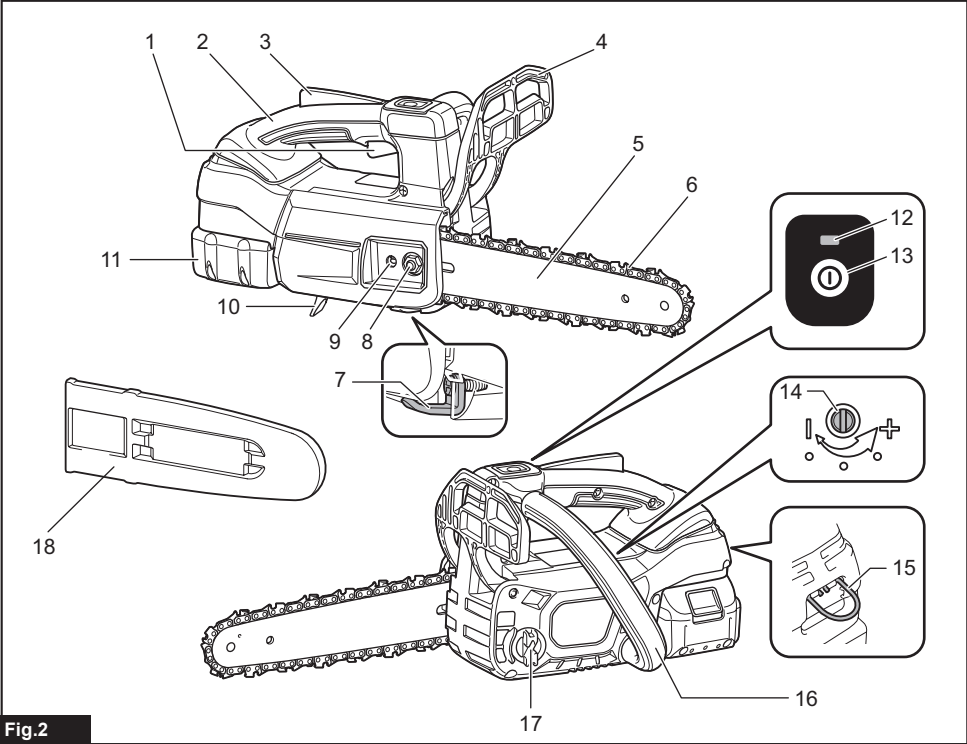


Fig.2

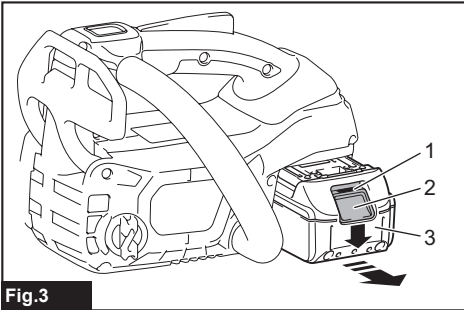


Fig.3

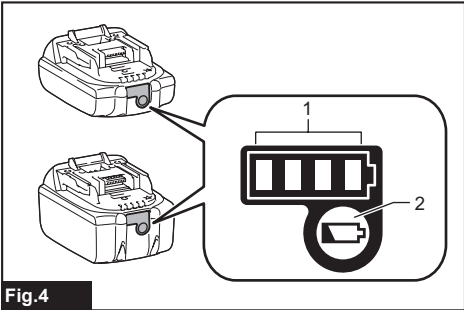


Fig.4

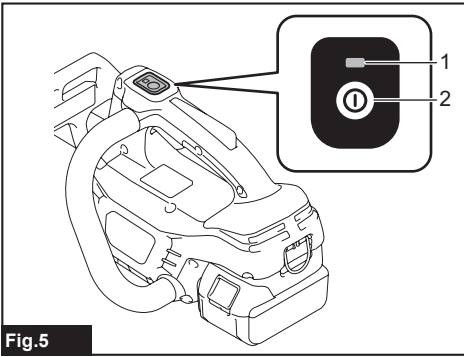


Fig. 5

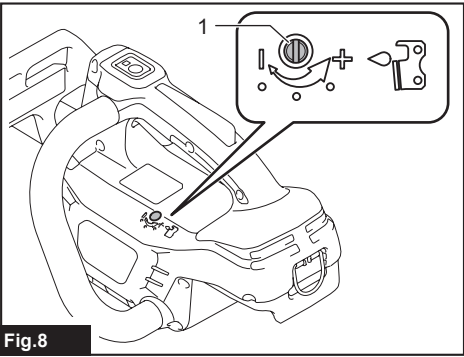


Fig. 8

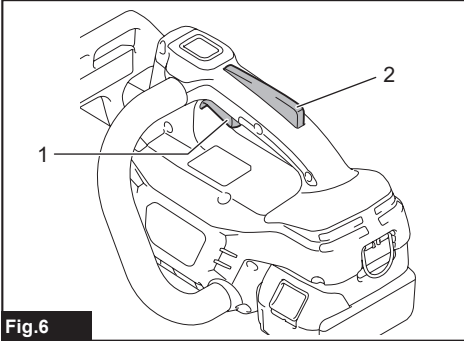


Fig. 6

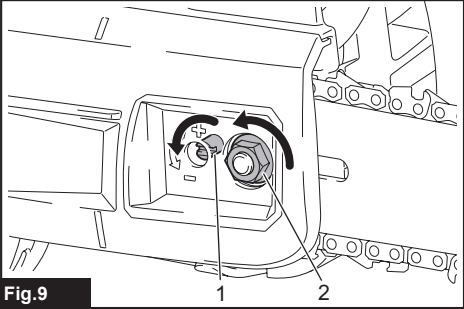


Fig. 9

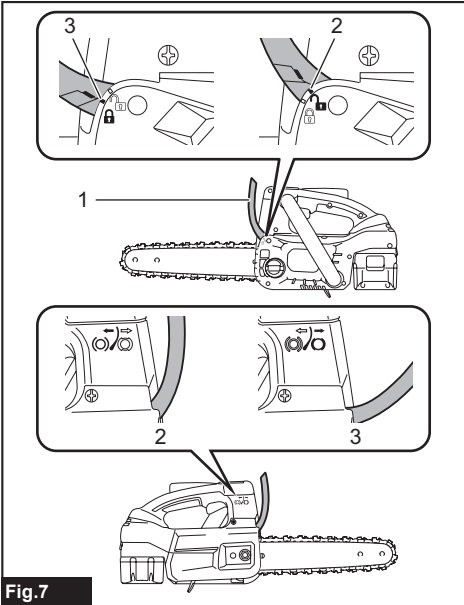


Fig. 7

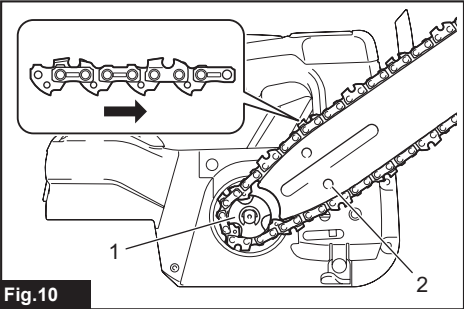


Fig. 10

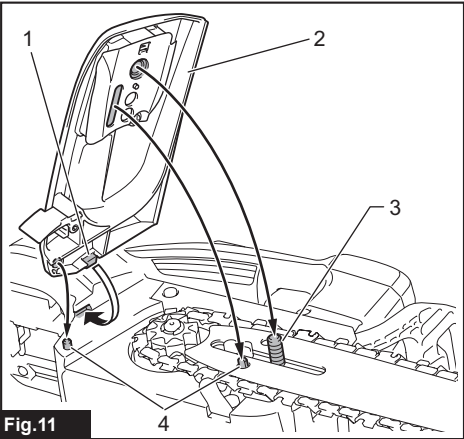


Fig. 11

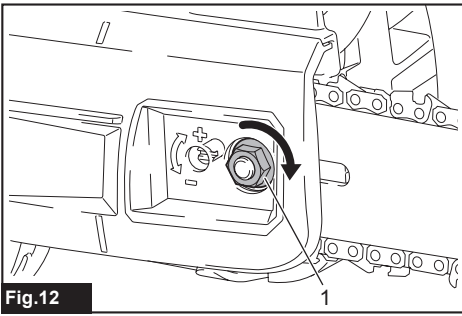


Fig. 12

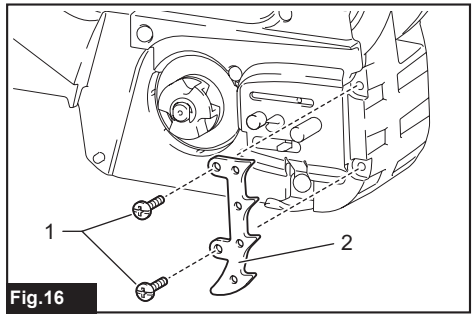


Fig. 16

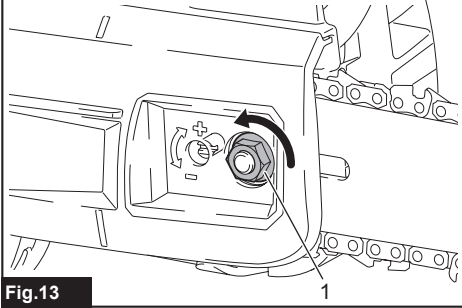


Fig. 13

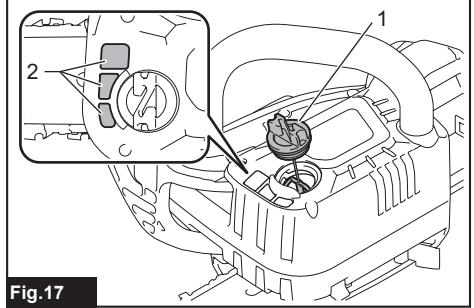


Fig. 17

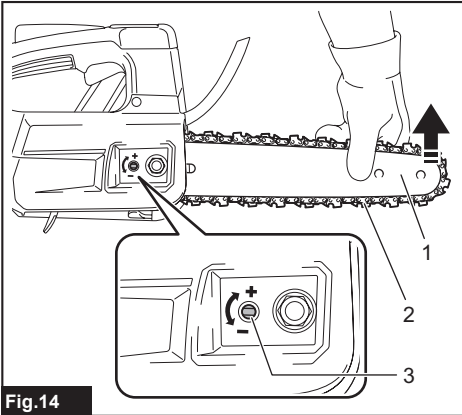


Fig. 14

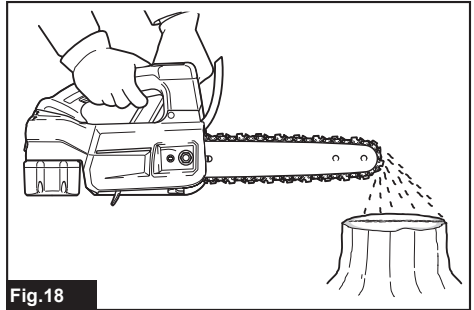


Fig. 18

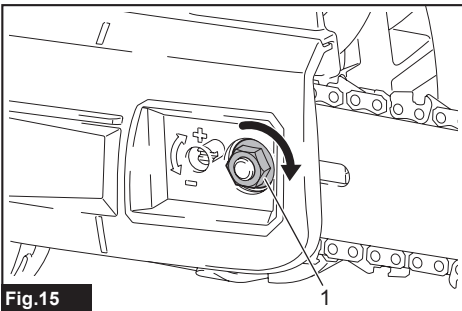


Fig. 15

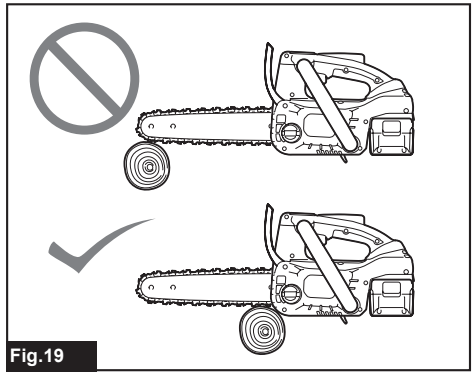


Fig. 19

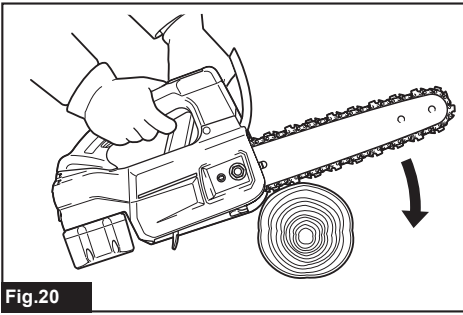


Fig.20

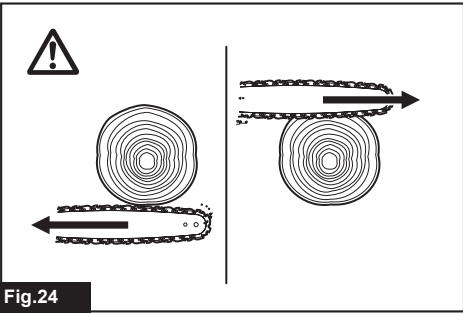


Fig.24

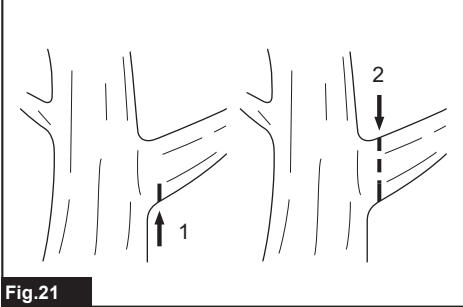


Fig.21

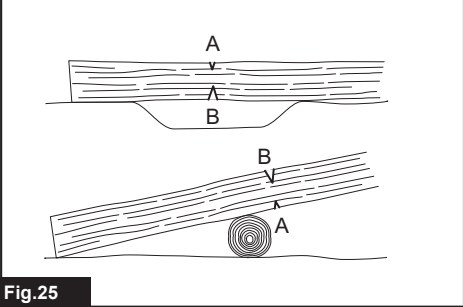


Fig.25

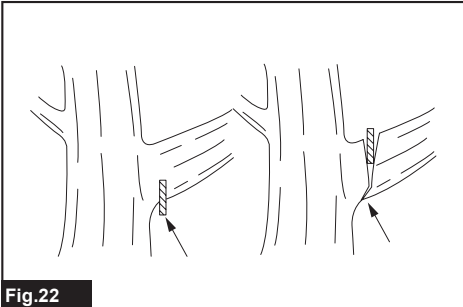


Fig.22

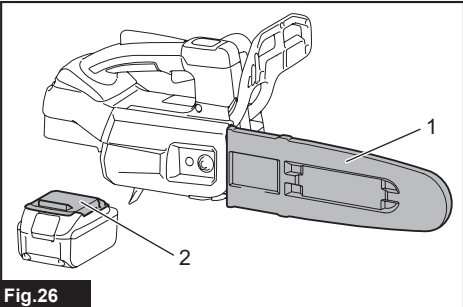


Fig.26

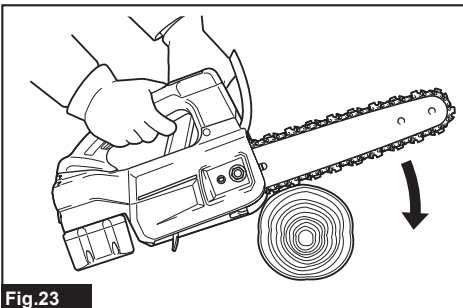


Fig.23

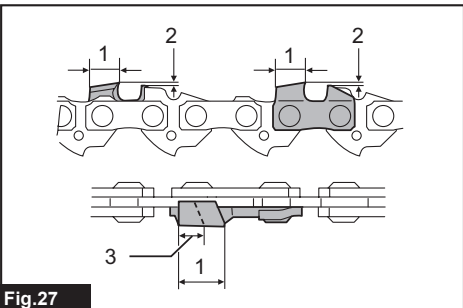


Fig.27

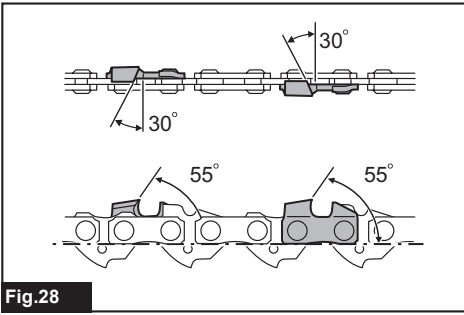


Fig. 28

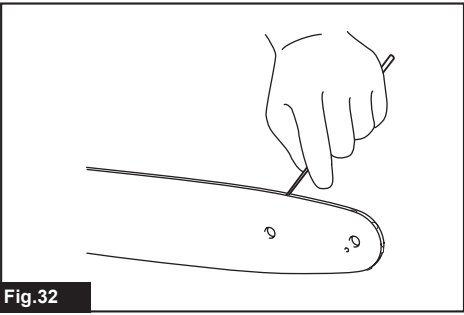


Fig. 32

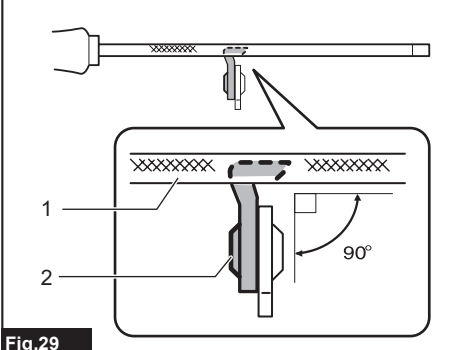


Fig. 29

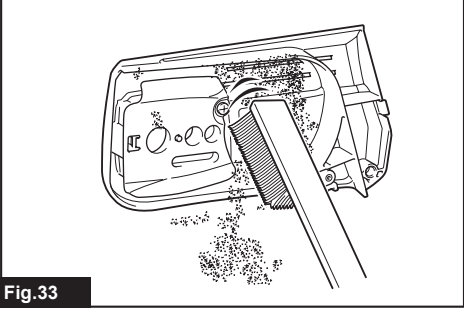


Fig. 33

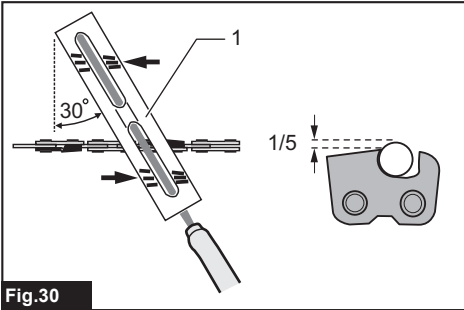


Fig. 30

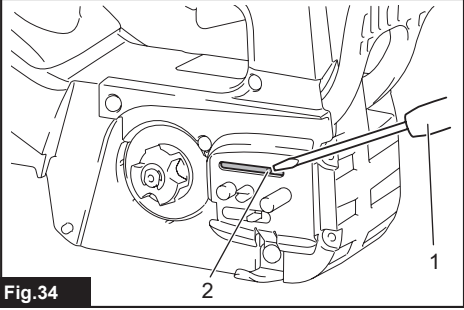


Fig. 34

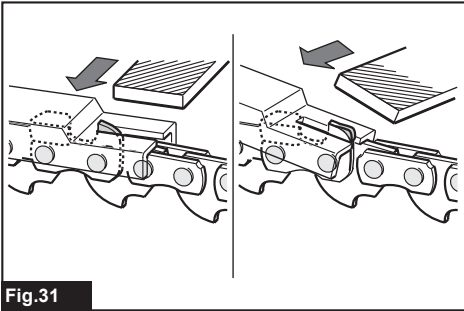


Fig. 31

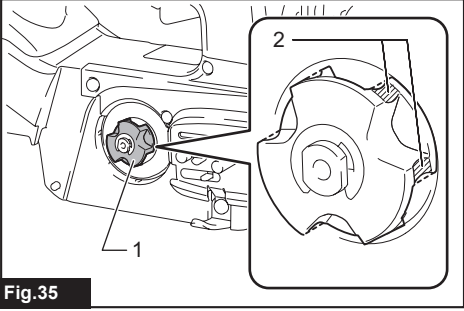


Fig. 35

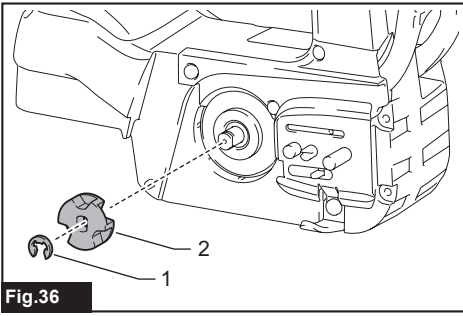


Fig.36

SPECIFICATIONS

Model:		DUC204	DUC254	DUC254C
Overall length (without guide bar)		256 mm		
Rated voltage		D.C. 18 V		
Net weight		2.8 - 3.3 kg		
Standard guide bar length		200 mm	250 mm	
Recommended guide bar length	with 90PX	200 - 250 mm		-
	with 91PX	-	250 mm	-
	with 25AP	-		250 mm
Applicable saw chain type (refer to the table below)		90PX	90PX 91PX	25AP
Standard sprocket	Number of teeth	6		9
	Pitch	3/8"		1/4"
Chain speed		0 - 24 m/s (0 - 1,440 m/min)		0 - 22.5 m/s (0 - 1,350 m/min)
Chain oil tank volume		140 cm ³		

- Due to our continuing program of research and development, the specifications herein are subject to change without notice.
- Specifications may differ from country to country.
- The weight may differ depending on the attachment(s), including the battery cartridge. The lightest and heaviest combination, according to EPTA-Procedure 01/2014, are shown in the table.

Applicable battery cartridge

BL1815N / BL1820 / BL1820B / BL1830 / BL1830B / BL1840 / BL1840B / BL1850 / BL1850B / BL1860B

- Some of the battery cartridges listed above may not be available depending on your region of residence.

⚠WARNING: Only use the battery cartridges listed above. Use of any other battery cartridges may cause injury and/or fire.

Saw chain, guide bar, and sprocket combination

Saw chain type		90PX	
Number of drive links		33	40
Guide bar	Guide bar length	200 mm	250 mm
	Cutting length	180 mm	244 mm
	Pitch	3/8"	
	Gauge	1.1 mm	
	Type	Sprocket nose bar	
Sprocket	Number of teeth	6	
	Pitch	3/8"	

Saw chain type		91PX	
Number of drive links		40	
Guide bar	Guide bar length	250 mm	
	Cutting length	244 mm	
	Pitch	3/8"	
	Gauge	1.3 mm	
	Type	Sprocket nose bar	
Sprocket	Number of teeth	6	
	Pitch	3/8"	

Saw chain type		25AP
Number of drive links		60
Guide bar	Guide bar length	250 mm
	Cutting length	250 mm
	Pitch	1/4"
	Gauge	1.3 mm
	Type	Carving bar
Sprocket	Number of teeth	9
	Pitch	1/4"

NOTICE: When using 25AP saw chain, use with Sprocket 9 (optional accessory).

WARNING: Use appropriate combination of the guide bar and saw chain. Otherwise personal injury may result.

Symbols

The following show the symbols used for the equipment. Be sure that you understand their meaning before use.

	Read instruction manual.
	Wear safety glasses.
	Wear ear protection.
	Wear a helmet, goggles and ear protection.
	Use appropriate protection for foot-leg and hand-arm.
	This saw is to be used by properly trained operators only.
	Do not expose to moisture.
	Maximum permissible cut length
	Always use two hands when operating the chain saw.
	Direction of chain travel
	Saw chain oil adjustment
	Only for EU countries Do not dispose of electric equipment or battery pack together with household waste material! In observance of the European Directives, on Waste Electric and Electronic Equipment and Batteries and Accumulators and Waste Batteries and Accumulators and their implementation in accordance with national laws, electric equipment and batteries and battery pack(s) that have reached the end of their life must be collected separately and returned to an environmentally compatible recycling facility.

Intended use

The tool is intended for cutting branches and pruning trees. It is also suitable for tree service.

Noise

The typical A-weighted noise level determined according to IEC62841-4-1:

Model DUC204

Sound pressure level (L_{pA}): 92.2 dB(A)

Sound power level (L_{WA}): 103.2 dB (A)

Uncertainty (K): 2.5 dB(A)

Model DUC254

Sound pressure level (L_{pA}): 92.2 dB(A)

Sound power level (L_{WA}): 103.2 dB (A)

Uncertainty (K): 2.5 dB(A)

Model DUC254C

Sound pressure level (L_{pA}): 92.2 dB(A)

Sound power level (L_{WA}): 103.2 dB (A)

Uncertainty (K): 2.5 dB(A)

WARNING: Wear ear protection.

Vibration

The vibration total value (tri-axial vector sum) determined according to IEC62841-4-1:

Model DUC204

Work mode: cutting wood

Vibration emission ($a_{h,w}$): 3.1 m/s²

Uncertainty (K): 1.5 m/s²

Model DUC254

Work mode: cutting wood

Vibration emission ($a_{h,w}$): 3.1 m/s²

Uncertainty (K): 1.5 m/s²

Model DUC254C

Work mode: cutting wood

Vibration emission ($a_{h,w}$): 4.1 m/s²

Uncertainty (K): 1.5 m/s²

NOTE: The declared vibration emission value has been measured in accordance with the standard test method and may be used for comparing one tool with another.

NOTE: The declared vibration emission value may also be used in a preliminary assessment of exposure.

⚠ WARNING: The vibration emission during actual use of the power tool can differ from the declared emission value depending on the ways in which the tool is used.

⚠ WARNING: Be sure to identify safety measures to protect the operator that are based on an estimation of exposure in the actual conditions of use (taking account of all parts of the operating cycle such as the times when the tool is switched off and when it is running idle in addition to the trigger time).

EC Declaration of Conformity

For European countries only

The EC declaration of conformity is included as Annex A to this instruction manual.

SAFETY WARNINGS

General power tool safety warnings

⚠ WARNING: Read all safety warnings, instructions, illustrations and specifications provided with this power tool. Failure to follow all instructions listed below may result in electric shock, fire and/or serious injury.

Save all warnings and instructions for future reference.

The term "power tool" in the warnings refers to your mains-operated (corded) power tool or battery-operated (cordless) power tool.

Cordless Chain saw safety warnings

1. **Keep all parts of the body away from the saw chain when the chain saw is operating. Before you start the chain saw, make sure the saw chain is not contacting anything.** A moment of inattention while operating chain saws may cause entanglement of your clothing or body with the saw chain.
2. **Always hold the chain saw with your right hand on the top handle and your left hand on the front handle.** Holding the chain saw with a reversed hand configuration increases the risk of personal injury and should never be done.
3. **Hold the power tool by insulated gripping surfaces only, because the saw chain may contact hidden wiring.** Saw chains contacting a "live" wire may make exposed metal parts of the power tool "live" and could give the operator an electric shock.
4. **Wear safety glasses and hearing protection.** Further protective equipment for head, hands, legs and feet is recommended. Adequate protective clothing will reduce personal injury by flying debris or accidental contact with the saw chain.
5. **Always keep proper footing.**

6. **When cutting a limb that is under tension be alert for spring back.** When the tension in the wood fibres is released the spring loaded limb may strike the operator and/or throw the chain saw out of control.
7. **Use extreme caution when cutting brush and saplings.** The slender material may catch the saw chain and be whipped toward you or pull you off balance.
8. **Carry the chain saw by the front handle with the chain saw switched off and away from your body. When transporting or storing the chain saw always fit the guide bar cover.** Proper handling of the chain saw will reduce the likelihood of accidental contact with the moving saw chain.
9. **Follow instructions for lubricating, chain tensioning and changing accessories.** Improperly tensioned or lubricated chain may either break or increase the chance for kickback.
10. **Keep handles dry, clean, and free from oil and grease.** Greasy, oily handles are slippery causing loss of control.
11. **Cut wood only. Do not use chain saw for purposes not intended.** For example: do not use chain saw for cutting plastic, masonry or non-wood building materials. Use of the chain saw for operations different than intended could result in a hazardous situation.
12. **Causes and operator prevention of kickback:** Kickback may occur when the nose or tip of the guide bar touches an object, or when the wood closes in and pinches the saw chain in the cut. Tip contact in some cases may cause a sudden reverse reaction, kicking the guide bar up and back towards the operator. Pinching the saw chain along the top of the guide bar may push the guide bar rapidly back towards the operator. Either of these reactions may cause you to lose control of the saw which could result in serious personal injury. Do not rely exclusively upon the safety devices built into your saw. As a chain saw user, you should take several steps to keep your cutting jobs free from accident or injury. Kickback is the result of tool misuse and/or incorrect operating procedures or conditions and can be avoided by taking proper precautions as given below:
 - Maintain a firm grip, with thumbs and fingers encircling the chain saw handles, with both hands on the saw and position your body and arm to allow you to resist kickback forces. Kickback forces can be controlled by the operator, if proper precautions are taken. Do not let go of the chain saw.

► Fig.1

- Do not overreach and do not cut above shoulder height. This helps prevent unintended tip contact and enables better control of the chain saw in unexpected situations.
- Only use replacement bars and chains specified by the manufacturer. Incorrect replacement bars and chains may cause chain breakage and/or kickback.
- Follow the manufacturer's sharpening and maintenance instructions for the saw chain. Decreasing the depth gauge height can lead to increased kickback.

13. **Before starting work, check that the chain saw is in proper working order and that its condition complies with the safety regulations. Check in particular that:**
 - The chain brake is working properly;
 - The run-down brake is working properly;
 - The bar and the sprocket cover are fitted correctly;
 - The chain has been sharpened and tensioned in accordance with the regulations.
14. **Do not start the chain saw with the chain cover being installed on it.** Starting the chain saw with the chain cover being installed on it may cause the chain cover to be thrown out forward resulting in personal injury and damage to objects around the operator.

Top handle chainsaw specific safety warnings

1. **This chain saw is designed especially for tree care and surgery. The chain saw is intended to be used by properly trained persons only. Observe all instructions, procedures and recommendations from the relevant professional organization. Otherwise fatal accidents may occur. It is recommended that always using a rising platform (cherry picker, lift) for sawing in trees. Rappelling techniques are extremely dangerous and require special training. The operators must be trained to become familiar with safety equipment usage and climbing techniques. Always use the appropriate belts, ropes and carabiners when working in trees. Always use restraining equipment for both the operator and the saw.**
2. **Perform cleaning and maintenance before storage in accordance with the instruction manual.**
3. **Ensure safe positioning of the chain saw during car transportation to avoid fuel or chain oil leakage, damage to the tool and personal injury.**
4. **Regularly check the functionality of chain brake.**
5. **Do not fill the chain oil near fire. Never smoke when you fill the chain oil.**
6. **National regulation may restrict the use of the chain saw.**
7. **If the equipment gets heavy impact or fall, check the condition before continuing work. Check the controls and safety devices for malfunction. If there is any damage or doubt, ask our authorized service center for the inspection and repair.**
8. **Always activate the chain brake before starting the chain saw.**
9. **Hold the saw firmly in place to avoid skating (skid movement) or bouncing of the saw when starting a cut.**
10. **At the end of the cut, be careful to keep your balance due to the "drop".**
11. **Take into account the direction and speed of the wind. Avoid sawdust and chain oil mist.**

Protective equipment

1. **In order to avoid head, eye, hand or foot injuries as well as to protect your hearing the following protective equipment must be used during operation of the chain saw:**
 - The kind of clothing should be appropriate, i. e. it should be tight-fitting but not be a hindrance. Do not wear jewelry or clothing which could become entangled with bushes or shrubs. If you have long hair, always wear a hairnet!
 - It is necessary to wear a protective helmet whenever working with the chain saw. The **protective helmet** is to be checked in regular intervals for damage and is to be replaced after 5 years at the latest. Use only approved protective helmets.
 - The **face shield** of the protective helmet (or the goggles) protects against sawdust and wood chips. During operation of the chain saw always wear a goggle or a face shield to prevent eye injuries.
 - Wear adequate **noise protection equipment** (ear muffs, ear plugs, etc.)
 - The **protective jacket** consists of 22 layers of nylon and protects the operator against cuts. It is always to be worn when working from elevated platforms (cherry pickers, lifts), from platforms mounted on ladders or when climbing with ropes.
 - The **protective brace and bib overall** is made of a nylon fabric with 22 layers and protects against cuts. We strongly recommend its use.
 - **Protective gloves** made of thick leather are part of the prescribed equipment and must always be worn during operation of the chain saw.
 - During operation of the chain saw **safety shoes** or **safety boots** fitted with anti skid sole, steel toe caps and protection for the leg must always to be worn. Safety shoes equipped with a protective layer provide protection against cuts and ensure a secure footing. For working in trees the safety boots must be suitable for climbing techniques.

Vibration

1. Individuals with poor circulation who are exposed to excessive vibration may experience injury to blood vessels or the nervous system. Vibration may cause the following symptoms to occur in the fingers, hands or wrists: "Falling asleep" (numbness), tingling, pain, stabbing sensation, alteration of skin colour or of the skin. **If any of these symptoms occur, see a physician!** To reduce the risk of "white finger disease", keep your hands warm during operation and well maintain the equipment and accessories.

SAVE THESE INSTRUCTIONS.

⚠WARNING: DO NOT let comfort or familiarity with product (gained from repeated use) replace strict adherence to safety rules for the subject product. MISUSE or failure to follow the safety rules stated in this instruction manual may cause serious personal injury.

Important safety instructions for battery cartridge

1. Before using battery cartridge, read all instructions and cautionary markings on (1) battery charger, (2) battery, and (3) product using battery.
2. Do not disassemble battery cartridge.
3. If operating time has become excessively shorter, stop operating immediately. It may result in a risk of overheating, possible burns and even an explosion.
4. If electrolyte gets into your eyes, rinse them out with clear water and seek medical attention right away. It may result in loss of your eyesight.
5. Do not short the battery cartridge:
 - (1) Do not touch the terminals with any conductive material.
 - (2) Avoid storing battery cartridge in a container with other metal objects such as nails, coins, etc.
 - (3) Do not expose battery cartridge to water or rain.

A battery short can cause a large current flow, overheating, possible burns and even a breakdown.
6. Do not store the tool and battery cartridge in locations where the temperature may reach or exceed 50 °C (122 °F).
7. Do not incinerate the battery cartridge even if it is severely damaged or is completely worn out. The battery cartridge can explode in a fire.
8. Be careful not to drop or strike battery.
9. Do not use a damaged battery.

10. The contained lithium-ion batteries are subject to the Dangerous Goods Legislation requirements.

For commercial transports e.g. by third parties, forwarding agents, special requirement on packaging and labeling must be observed. For preparation of the item being shipped, consulting an expert for hazardous material is required. Please also observe possibly more detailed national regulations. Tape or mask off open contacts and pack up the battery in such a manner that it cannot move around in the packaging.

11. Follow your local regulations relating to disposal of battery.
12. Use the batteries only with the products specified by Makita. Installing the batteries to non-compliant products may result in a fire, excessive heat, explosion, or leak of electrolyte.

SAVE THESE INSTRUCTIONS.

CAUTION: Only use genuine Makita batteries. Use of non-genuine Makita batteries, or batteries that have been altered, may result in the battery bursting causing fires, personal injury and damage. It will also void the Makita warranty for the Makita tool and charger.

Tips for maintaining maximum battery life

1. Charge the battery cartridge before completely discharged. Always stop tool operation and charge the battery cartridge when you notice less tool power.
2. Never recharge a fully charged battery cartridge. Overcharging shortens the battery service life.
3. Charge the battery cartridge with room temperature at 10 °C - 40 °C (50 °F - 104 °F). Let a hot battery cartridge cool down before charging it.
4. Charge the battery cartridge if you do not use it for a long period (more than six months).

PARTS DESCRIPTION

► Fig.2

1	Switch trigger	2	Top handle	3	Lock-off lever
4	Front hand guard	5	Guide bar	6	Saw chain
7	Chain catcher	8	Retaining nut	9	Chain adjusting screw
10	Chip guide	11	Battery cartridge	12	Main power lamp
13	Main power switch	14	Adjusting screw (for oil pump)	15	Carabiner
16	Front handle	17	Oil tank cap	18	Guide bar cover

FUNCTIONAL DESCRIPTION

⚠ CAUTION: Always be sure that the tool is switched off and the battery cartridge is removed before adjusting or checking function on the tool.

Installing or removing battery cartridge

⚠ CAUTION: Always switch off the tool before installing or removing of the battery cartridge.

⚠ CAUTION: Hold the tool and the battery cartridge firmly when installing or removing battery cartridge. Failure to hold the tool and the battery cartridge firmly may cause them to slip off your hands and result in damage to the tool and battery cartridge and a personal injury.

► **Fig.3:** 1. Red indicator 2. Button 3. Battery cartridge

To remove the battery cartridge, slide it from the tool while sliding the button on the front of the cartridge.

To install the battery cartridge, align the tongue on the battery cartridge with the groove in the housing and slip it into place. Insert it all the way until it locks in place with a little click. If you can see the red indicator on the upper side of the button, it is not locked completely.

⚠ CAUTION: Always install the battery cartridge fully until the red indicator cannot be seen. If not, it may accidentally fall out of the tool, causing injury to you or someone around you.

⚠ CAUTION: Do not install the battery cartridge forcibly. If the cartridge does not slide in easily, it is not being inserted correctly.

Indicating the remaining battery capacity

Only for battery cartridges with the indicator

► **Fig.4:** 1. Indicator lamps 2. Check button

Press the check button on the battery cartridge to indicate the remaining battery capacity. The indicator lamps light up for a few seconds.

Indicator lamps			Remaining capacity
Lighted	Off	Blinking	
■	□	▧	75% to 100%
■ ■ ■ ■			
■ ■ ■	□		50% to 75%
■ ■	□ □		25% to 50%
■	□ □ □		0% to 25%
▧	□ □ □		Charge the battery.
■ ■ □ □			The battery may have malfunctioned.
□ □ ■ ■			

NOTE: Depending on the conditions of use and the ambient temperature, the indication may differ slightly from the actual capacity.

Tool / battery protection system

The tool is equipped with a tool/battery protection system. This system automatically cuts off power to the motor to extend tool and battery life. The tool will automatically stop during operation if the tool or battery is placed under one of the following conditions:

Overload protection

When the battery is operated in a manner that causes it to draw an abnormally high current, the tool automatically stops and the main power lamp blinks in green. In this situation, turn the tool off and stop the application that caused the tool to become overloaded. Then turn the tool on to restart.

Overheat protection

When the tool or battery is overheated, the tool stops automatically and the main power lamp lights up in red. In this case, let the tool and battery cool before turning the tool on again.

NOTE: In high temperature environment, the overheat protection likely to work and the tool stops automatically.

Overdischarge protection

When the battery capacity is not enough, the tool stops automatically and the main power lamp blinks in red. In this case, remove the battery from the tool and charge the battery.

Main power switch

⚠ WARNING: Always turn off the main power switch when not in use.

To turn on the tool, press the main power switch until the main power lamp lights up in green. To turn off, press the main power switch again.

► **Fig.5:** 1. Main power lamp 2. Main power switch

NOTE: The main power lamp blinks in green if the switch trigger is pulled under unoperable conditions. The lamp blinks in one of the following conditions.

- When you turn on the main power switch while holding down the lock-off lever and the switch trigger.
- When you pull the switch trigger while the chain brake is applied.
- When you release the chain brake while holding down the lock-off lever and pulling the switch trigger.

NOTE: This chain saw employs the auto power-off function. To avoid unintentional start up, the main power switch will automatically shut down when the switch trigger is not pulled for a certain period after the main power switch is turned on.

You can use the tool in the Torque Boost mode for cutting thick branches or hard branches. To use the tool in the Torque Boost mode, when the tool is turned off, press the main power switch for a few seconds until the main power lamp lights up in yellow.

NOTE: You can use the tool in the Torque Boost mode up to 30 seconds. Depending on the usage conditions, this mode shifts to the normal mode in less than 30 seconds.

NOTE: If the main power lamp blinks in yellow when you press the main power switch for a few seconds, the Torque Boost mode is not available. In this case, follow the steps below.

- The Torque Boost mode is not available right after the cutting operation. Wait for more than 10 seconds, and then press the main power switch again.
- If you use the Torque Boost mode several times, the use of the Torque Boost mode is restricted to protect the battery. If the Torque Boost mode is not available after waiting for more than 10 seconds, replace the battery cartridge with a fully charged one, or recharge the battery cartridge.

NOTE: If the main power lamp lights up in red or blinks in red or green, refer to the instructions for tool/battery protection system.

NOTE: The Torque Boost mode cannot be used when the battery cartridge BL1815N, BL1820, or BL1820B is installed.

Switch action

⚠ WARNING: For your safety, this tool is equipped with lock-off lever which prevents the tool from unintended starting. **NEVER** use the tool if it runs when you simply pull the switch trigger without pressing the lock-off lever. Return the tool to our authorized service center for proper repairs **BEFORE** further usage.

⚠ WARNING: **NEVER** tape down or defeat purpose and function of lock-off lever.

⚠ CAUTION: Before installing the battery cartridge into the tool, always check to see that the switch trigger actuates properly and returns to the "OFF" position when released.

NOTICE: Do not pull the switch trigger hard without pressing the lock-off lever. This can cause switch breakage.

To prevent the switch trigger from being accidentally pulled, a lock-off lever is provided. To start the tool, depress the lock-off lever and pull the switch trigger. The tool speed increases by increasing pressure on the switch trigger. Release the switch trigger to stop.

► **Fig.6:** 1. Switch trigger 2. Lock-off lever

Checking the chain brake

⚠ CAUTION: Hold the chain saw with both hands when switching it on. Hold the top handle with your right hand, the front handle with your left. The bar and the chain must not be in contact with any object.

⚠ CAUTION: Should the saw chain not stop immediately when this test is performed, the saw may not be used under any circumstances. Consult our authorized service center.

1. Press the lock-off lever, then pull the switch trigger. The saw chain starts immediately.
2. Push the front hand guard forwards with the back of your hand. Make sure that the chain saw comes to an immediate standstill.

► **Fig.7:** 1. Front hand guard 2. Unlocked position 3. Locked position

Checking the run-down brake

⚠ CAUTION: If the saw chain does not stop within two seconds in this test, stop using the chain saw and consult our authorized service center.

Run the chain saw then release the switch trigger completely. The saw chain must come to a standstill within two seconds.

Adjusting the chain lubrication

You can adjust the oil pump feed rate with the adjusting screw using the universal wrench. The amount of oil can be adjusted in 3 steps.

► **Fig.8:** 1. Adjusting screw

Carabiner (rope attachment point)

You can hang the tool by attaching the rope to the carabiner. Pull up the carabiner, and then tie it with the rope.

Electronic function

The tool is equipped with the electronic functions for easy operation.

- Soft start
The soft-start function minimizes start-up shock, and makes the tool start smoothly.

ASSEMBLY

⚠ CAUTION: Always be sure that the tool is switched off and the battery cartridge is removed before carrying out any work on the tool.

⚠ CAUTION: Do not touch the saw chain with bare hands. Always wear gloves when handling the saw chain.

Removing or installing saw chain

⚠ CAUTION: The saw chain and the guide bar are still hot just after the operation. Let them cool down enough before carrying out any work on the tool.

⚠ CAUTION: Carry out the procedure of installing or removing saw chain in a clean place free from sawdust and the like.

To remove the saw chain, perform the following steps:

1. Release the chain brake by pulling the front hand guard.
2. Loosen the chain adjusting screw, then the retaining nut.

► **Fig.9:** 1. Chain adjusting screw 2. Retaining nut

3. Remove the sprocket cover then remove the saw chain and guide bar from the chain saw body.

To install the saw chain, perform the following steps:

1. Check the direction of the saw chain. Match the direction of the saw chain with that of the mark on the chain saw body.
2. Fit one end of the saw chain on the top of the guide bar.
3. Fit the other end of the saw chain around the sprocket, then attach the guide bar to the chain saw body, aligning the hole on the guide bar with the pin on the chain saw body.

► **Fig.10:** 1. Sprocket 2. Hole

4. Insert the protrusion on the sprocket cover to the chain saw body, and then close the cover so that the bolt and pins on the chain saw body meet their counterparts on the cover.

► **Fig.11:** 1. Protrusion 2. Sprocket cover 3. Bolt 4. Pin

5. Tighten the retaining nut to secure the sprocket cover, then loosen it a bit for tension adjustment.

► **Fig.12:** 1. Retaining nut

Adjusting saw chain tension

⚠ CAUTION: Do not tighten the saw chain too much. Excessively high tension of saw chain may cause breakage of saw chain, wear of the guide bar and breakage of the adjusting dial.

⚠ CAUTION: A chain which is too loose can jump off the bar and it may cause an injury accident.

The saw chain may become loose after many hours of use. From time to time check the saw chain tension before use.

1. Release the chain brake by pulling the front hand guard.

2. Loosen the retaining nut a bit to loosen the sprocket cover lightly.

► **Fig.13:** 1. Retaining nut

3. Lift up the guide bar tip slightly and adjust the chain tension. Turn the chain adjusting screw clockwise to tighten, turn it counterclockwise to loosen.

For chain blade 90PX and 91PX:

Tighten the saw chain until the lower side of the saw chain fits in the guide bar rail as illustrated.

► **Fig.14:** 1. Guide bar 2. Saw chain 3. Chain adjusting screw

For chain blade 25AP:

Tighten the saw chain so that the gap between the center of the lower side of the guide bar and the saw chain becomes approximately 1 mm to 2 mm.

4. Keep holding the guide bar lightly and tighten the sprocket cover.

For chain blade 90PX and 91PX:

Make sure that the saw chain does not loose at the lower side.

For chain blade 25AP:

Make sure that the gap between the center of the lower side of the guide bar and the saw chain is approximately 1 mm to 2 mm.

5. Tighten the retaining nut to secure the sprocket cover.

► **Fig.15:** 1. Retaining nut

Make sure the saw chain fits snugly against the lower side of the bar.

Spike bumper

Optional accessory

When cutting thick branches, using the spike bumper is recommended. To install the spike bumper, perform the following steps:

1. Remove the sprocket cover, saw chain, and guide bar.

2. Align the holes of the spike bumper with the holes on the chain saw body, and then tighten the screws firmly.

► **Fig.16:** 1. Screw 2. Spike bumper

OPERATION

Lubrication

Saw chain is automatically lubricated when the tool is in operation. Check the amount of remaining oil in the oil tank periodically through the oil inspection window. To refill the tank, lay the chain saw on its side and remove the oil tank cap. The proper amount of oil is 140 ml. After refilling the tank, make sure that the oil tank cap is tightened securely.

► **Fig.17:** 1. Oil tank cap 2. Oil inspection window

After refilling, hold the chain saw away from the tree. Start it and wait until lubrication on saw chain is adequate.

► **Fig.18**

NOTICE: When filling the chain oil for the first time, or refilling the tank after it has been completely emptied, add oil up to the bottom edge of the filler neck. The oil delivery may otherwise be impaired.

NOTICE: Use the saw chain oil exclusively for Makita chain saws or equivalent oil available in the market.

NOTICE: Never use oil including dust and particles or volatile oil.

NOTICE: When pruning trees, use botanical oil. Mineral oil may harm trees.

NOTICE: Before the cutting operation, make sure that the provided oil tank cap is screwed in place.

WORKING WITH THE CHAIN SAW

CAUTION: The first time user should, as a minimum practice, do cutting logs on a saw-horse or cradle.

CAUTION: When sawing precut timber, use a safe support (saw horse or cradle). Do not steady the workpiece with your foot, and do not allow anyone else to hold or steady it.

CAUTION: Secure round pieces against rotation.

CAUTION: Keep all parts of the body away from the saw chain when the motor is operating.

CAUTION: Hold the chain saw firmly with both hands when the motor is running.

CAUTION: Do not overreach. Keep proper footing and balance at all times.

NOTICE: Never toss or drop the tool.

NOTICE: Do not cover the vents of the tool.

Pruning trees

Bring the chain saw body into contact with the branch to be cut before switching on. Otherwise it may cause the guide bar to wobble, resulting in injury to operator. Saw the wood to be cut by just moving it down by using the weight of the chain saw.

► Fig.19

If you cannot cut the timber right through with a single stroke:

Apply light pressure to the handle and continue sawing and draw the chain saw back a little.

► Fig.20

When cutting thick branches, first make a shallow undercut and then make the finish cut from the top.

► Fig.21

If you try to cut off thick branches from the bottom, the branch may close in and pinch the saw chain in the cut. If you try to cut off thick branches from the top without a shallow undercut, the branch may splinter.

► Fig.22

Bucking

1. Rest the chain saw body on the wood to be cut.

► Fig.23

2. With the saw chain running, saw into the wood while using the top handle to raise the saw and the front one to guide it.

3. Continue the cut by applying slight pressure to the top handle, easing the saw back slightly.

NOTICE: When making several cuts, switch the chain saw off between cuts.

CAUTION: If the upper edge of the bar is used for cutting, the chain saw may be deflected in your direction if the chain becomes trapped. For this reason, cut with the lower edge, so that the saw will be deflected away from your body.

► Fig.24

When you cut a wood under tension, cut the pressured side (A) first. Then make the final cut from the tensioned side (B). This prevents the bar from becoming trapped.

► Fig.25

Limbing

CAUTION: Limbing may only be performed by trained persons. A hazard is presented by the risk of kickback.

When limbing, support the chain saw on the trunk if possible. Do not cut with the tip of the bar, as this presents a risk of kickback.

Pay particular attention to branches under tension. Do not cut unsupported branches from below.

Do not stand on the felled trunk when limbing.

Carrying tool

Before carrying the tool, always apply the chain brake and remove the battery cartridges from the tool. Then attach the guide bar cover. Also cover the battery cartridge with the battery cover.

► Fig.26: 1. Guide bar cover 2. Battery cover

MAINTENANCE

CAUTION: Always be sure that the tool is switched off and the battery cartridge is removed before attempting to perform inspection or maintenance.

CAUTION: Always wear gloves when performing any inspection or maintenance.

NOTICE: Never use gasoline, benzine, thinner, alcohol or the like. Discoloration, deformation or cracks may result.

To maintain product SAFETY and RELIABILITY, repairs, any other maintenance or adjustment should be performed by Makita Authorized or Factory Service Centers, always using Makita replacement parts.

Sharpening the saw chain

Sharpen the saw chain when:

- Mealy sawdust is produced when damp wood is cut;
- The chain penetrates the wood with difficulty, even when heavy pressure is applied;
- The cutting edge is obviously damaged;
- The saw pulls to the left or right in the wood. (caused by uneven sharpening of the saw chain or damage to one side only)

Sharpen the saw chain frequently but a little each time. Two or three strokes with a file are usually sufficient for routine resharpening. When the saw chain has been resharpened several times, have it sharpened in our authorized service center.

Sharpening criteria:

⚠ WARNING: An excessive distance between the cutting edge and depth gauge increases the risk of kickback.

- **Fig.27:** 1. Cutter length 2. Distance between cutting edge and depth gauge 3. Minimum cutter length (3 mm)

- All cutter length must be equal. Different cutter lengths prevent the saw chain from running smoothly and may cause the saw chain to break.
- Do not sharpen the chain when the cutter length has reached 3 mm or shorter. The chain must be replaced with new one.
- The chip thickness is determined by the distance between the depth gauge (round nose) and the cutting edge.
- The best cutting results are obtained with following distance between cutting edge and depth gauge.
 - Chain blade 90PX : 0.65 mm
 - Chain blade 91PX : 0.65 mm
 - Chain blade 25AP : 0.65 mm

► **Fig.28**

- The sharpening angle of 30° must be the same on all cutters. Different cutter angles cause the chain to run roughly and unevenly, accelerate wear, and lead to chain breaks.
- Use a suitable round file so that the proper sharpening angle is kept against the teeth.
 - Chain blade 90PX : 55°
 - Chain blade 91PX : 55°
 - Chain blade 25AP : 55°

File and file guiding

- Use a special round file (optional accessory) for saw chains to sharpen the chain. Normal round files are not suitable.
- Diameter of the round file for each saw chain is as follows:
 - Chain blade 90PX : 4.5 mm
 - Chain blade 91PX : 4.0 mm
 - Chain blade 25AP : 4.0 mm
- The file should only engage the cutter on the forward stroke. Lift the file off the cutter on the return stroke.

- Sharpen the shortest cutter first. Then the length of this shortest cutter becomes the standard for all other cutters on the saw chain.

- Guide the file as shown in the figure.

► **Fig.29:** 1. File 2. Saw chain

- The file can be guided more easily if a file holder (optional accessory) is employed. The file holder has markings for the correct sharpening angle of 30° (align the markings parallel to the saw chain) and limits the depth of penetration (to 4/5 of the file diameter).

► **Fig.30:** 1. File holder

- After sharpening the chain, check the height of the depth gauge using the chain gauge tool (optional accessory).

► **Fig.31**

- Remove any projecting material, however small, with a special flat file (optional accessory).
- Round off the front of the depth gauge again.

Cleaning the guide bar

Chips and sawdust will build up in the guide bar groove. They may clog the bar groove and impair the oil flow. Clean out the chips and sawdust every time when you sharpen or replace the saw chain.

► **Fig.32**

Cleaning the sprocket cover

Chips and saw dust will accumulate inside of the sprocket cover. Remove the sprocket cover and saw chain from the tool then clean the chips and saw dust.

► **Fig.33**

Cleaning the oil discharge hole

Small dust or particles may be built up in the oil discharge hole during operation. These dust or particles may impair the oil to flow and cause an insufficient lubrication on the whole saw chain. When a poor chain oil delivery occurs at the top of guide bar, clean the oil discharge hole as follows.

1. Remove the sprocket cover and saw chain from the tool.
2. Remove the small dust or particles using a slotted screwdriver with a slender shaft or the like.

► **Fig.34:** 1. Slotted screwdriver 2. Oil discharge hole

3. Insert the battery cartridge into the tool. Pull the switch trigger to flow built-up dust or particles off the oil discharge hole by discharging chain oil.
4. Remove the battery cartridge from the tool. Reinstall the sprocket cover and saw chain on the tool.

Replacing the sprocket

⚠ CAUTION: A worn sprocket will damage a new saw chain. Have the sprocket replaced in this case.

Before fitting a new saw chain, check the condition of the sprocket.

► **Fig.35:** 1. Sprocket 2. Areas to be worn out

Always fit a new locking ring when replacing the sprocket.

► **Fig.36:** 1. Locking ring 2. Sprocket

NOTICE: Make sure that the sprocket is installed as shown in the figure.

Storing the tool

1. Clean the tool before storing. Remove any chips and sawdust from the tool after removing the sprocket cover.
2. After cleaning the tool, run it under no load to lubricate the saw chain and guide bar.
3. Cover the guide bar with the guide bar cover.
4. Empty the oil tank.

Instructions for periodic maintenance

To ensure long life, prevent damage and ensure the full functioning of the safety features, the following maintenance must be performed regularly. Warranty claims can be recognized only if this work is performed regularly and properly. Failure to perform the prescribed maintenance work can lead to accidents! The user of the chain saw must not perform maintenance work which is not described in the instruction manual. All such work must be carried out by our authorized service center.

Check item / Operating time		Before operation	Everyday	Every week	Every 3 month	Annually	Before storage
Chain saw	Inspection.	✓	-	-	-	-	-
	Cleaning.	-	✓	-	-	-	-
	Check at authorized service center.	-	-	-	-	✓	✓
Saw chain	Inspection.	✓	-	-	-	-	-
	Sharpening if necessary.	-	-	-	-	-	✓
Guide bar	Inspection.	✓	✓	-	-	-	-
	Remove from the chain saw.	-	-	-	-	-	✓
Chain brake	Check the function.	✓	-	-	-	-	-
	Have it inspected regularly at authorized service center.	-	-	-	✓	-	-
Chain lubrication	Check the oil feed rate.	✓	-	-	-	-	-
Switch trigger	Inspection.	✓	-	-	-	-	-
Lock-off lever	Inspection.	✓	-	-	-	-	-
Oil tank cap	Check tightness.	✓	-	-	-	-	-
Chain catcher	Inspection.	-	-	✓	-	-	-
Screws and nuts	Inspection.	-	-	✓	-	-	-

TROUBLESHOOTING

Before asking for repairs, conduct your own inspection first. If you find a problem that is not explained in the manual, do not attempt to dismantle the tool. Instead, ask Makita Authorized Service Centers, always using Makita replacement parts for repairs.

Malfunction status	Cause	Action
The chain saw does not start.	Battery cartridge is not installed.	Install a charged battery cartridge.
	Battery problem (low voltage).	Recharge the battery cartridges. If recharging is not effective, replace the battery cartridge.
	Main power switch is off.	The chain saw is automatically turned off if it is un-operated for a certain period. Turn on the main power switch again.
The saw chain does not run.	Chain brake activated.	Release chain brake.
The motor stops running after a little use.	Battery's charge level is low.	Recharge the battery cartridges. If recharging is not effective, replace the battery cartridge.
No oil on the chain.	Oil tank is empty.	Fill the oil tank.
	Oil guide groove is dirty.	Clean the groove.
	Poor oil delivery.	Adjust the amount of oil delivery with the adjusting screw.
The chain saw does not reach maximum RPM.	Battery cartridge is installed improperly.	Install the battery cartridges as described in this manual.
	Battery power is dropping.	Recharge the battery cartridge. If recharging is not effective, replace the battery cartridge.
	The drive system does not work correctly.	Ask the authorized service center in your region for repair.
The main power lamp is blinking in green.	Switch trigger is pulled under an unoperable condition.	Pull the switch trigger after the main power switch is turned on and the chain brake is released.
Chain does not stop even the chain brake is activated: Stop the machine immediately!	The brake band is worn down.	Ask the authorized service center in your region for repair.
Abnormal vibration: Stop the machine immediately!	Loose guide bar or saw chain.	Adjust the guide bar and saw chain tension.
	Tool malfunction.	Ask the authorized service center in your region for repair.
The Torque Boost mode is not available after replacing the battery cartridge with a fully charged one.	Depending on the usage conditions, the Torque Boost mode is not available after replacing the battery cartridge.	Use the tool in the normal mode until the installed battery cartridge becomes empty, and then replace the battery cartridge with a fully charged one, or recharge the battery cartridge.

OPTIONAL ACCESSORIES

CAUTION: These accessories or attachments are recommended for use with your Makita tool specified in this manual. The use of any other accessories or attachments might present a risk of injury to persons. Only use accessory or attachment for its stated purpose.

If you need any assistance for more details regarding these accessories, ask your local Makita Service Center.

- Saw chain
- Guide bar
- Guide bar cover
- Sprocket

- Spike bumper
- File
- Tool bag
- Makita genuine battery and charger

WARNING: If you purchase a guide bar of different length from the standard guide bar, also purchase a suitable guide bar cover together. It must fit and fully cover the guide bar on the chain saw.

NOTE: Some items in the list may be included in the tool package as standard accessories. They may differ from country to country.

DANE TECHNICZNE

Model:		DUC204	DUC254	DUC254C
Całkowita długość (bez prowadnicy)		256 mm		
Napięcie znamionowe		Prąd stały 18 V		
Masa netto		2,8–3,3 kg		
Standardowa długość prowadnicy		200 mm	250 mm	
Zalecana długość prowadnicy	z 90PX	200–250 mm		-
	z 91PX	-	250 mm	-
	z 25AP	-	-	250 mm
Odpowiedni typ łańcucha tnącego (patrz tabela poniżej)		90PX	90PX 91PX	25AP
Standardowe koło łańcuchowe	Liczba zębów	6		9
	Podziałka	3/8"		1/4"
Prędkość łańcucha		0–24 m/s (0–1 440 m/min)		0–22,5 m/s (0–1 350 m/min)
Pojemność zbiornika oleju łańcuchowego		140 cm ³		

- W związku ze stale prowadzonym przez naszą firmę programem badawczo-rozwojowym niniejsze dane mogą ulec zmianom bez wcześniejszego powiadomienia.
- Dane techniczne mogą różnić się w zależności od kraju.
- Masa może być różna w zależności od osprzętu, w tym akumulatora. W tabeli przedstawiona jest najlżejsza i najcięższa konfiguracja, zgodnie z procedurą EPTA 01/2014.

Kompatybilne akumulatory

BL1815N / BL1820 / BL1820B / BL1830 / BL1830B / BL1840 / BL1840B / BL1850 / BL1850B / BL1860B

- Pewne z wymienionych powyżej akumulatorów mogą być niedostępne w regionie zamieszkania użytkownika.

⚠ OSTRZEŻENIE: Należy używać wyłącznie akumulatorów wymienionych powyżej. Używanie innych akumulatorów może stwarzać ryzyko wystąpienia obrażeń ciała lub pożaru.

Kombinacja łańcucha tnącego, prowadnicy i koła łańcuchowego

Typ łańcucha tnącego		90PX	
Liczba ogniw napędowych		33	40
Prowadnica	Długość prowadnicy	200 mm	250 mm
	Długość cięcia	180 mm	244 mm
	Podziałka	3/8"	
	Wskaźnik	1,1 mm	
	Typ	Prowadnica gwiazdkowa	
Koło łańcuchowe	Liczba zębów	6	
	Podziałka	3/8"	

Typ łańcucha tnącego		91PX	
Liczba ogniw napędowych		40	
Prowadnica	Długość prowadnicy	250 mm	
	Długość cięcia	244 mm	
	Podziałka	3/8"	
	Wskaźnik	1,3 mm	
	Typ	Prowadnica gwiazdkowa	
Koło łańcuchowe	Liczba zębów	6	
	Podziałka	3/8"	













Typ łańcucha tnącego		25AP
Liczba ogniw napędowych		60
Prowadnica	Długość prowadnicy	250 mm
	Długość cięcia	250 mm
	Podziałka	1/4"
	Wskaźnik	1,3 mm
	Typ	Prowadnica do rzeźbienia
Koło łańcuchowe	Liczba zębów	9
	Podziałka	1/4"

UWAGA: Łańcucha tnącego 25AP należy używać z kołem łańcuchowym z 9 zębami (akcesorium opcjonalne).

⚠ OSTRZEŻENIE: Należy używać prowadnicy i łańcucha tnącego, które do siebie pasują. W przeciwnym razie może to przyczynić się do powstania obrażeń.

Symbole

Poniżej pokazano symbole zastosowane na urządzeniu. Przed rozpoczęciem użytkowania należy zapoznać się z ich znaczeniem.

	Przeczytać instrukcję obsługi.
	Nosić okulary ochronne.
	Nosić ochronniki słuchu.
	Nosić kask, gogle oraz ochronniki słuchu.
	Stosować odpowiednie środki ochrony stóp i nóg oraz dłoni i ramion.
	Ta pilarka jest przeznaczona do użytku wyłącznie przez odpowiednio przeszkolonego operatora.
	Chronić przed wilgocią.
	Maksymalna dopuszczalna długość cięcia
	Pilarkę łańcuchową należy zawsze obsługiwać oburącz.
	Kierunek posuwu łańcucha
	Regulacja smarowania pilarki łańcuchowej
 Ni-MH Li-ion	Dotyczy tylko państw UE Nie wyrzucać urządzeń elektrycznych ani akumulatorów wraz z odpadami z gospodarstwa domowego! Zgodnie z dyrektywami europejskimi w sprawie zużytego sprzętu elektrycznego i elektronicznego oraz baterii i akumulatorów oraz zużytych baterii i akumulatorów, a także dostosowaniem ich do prawa krajowego, zużyte urządzenia elektryczne, baterie i akumulatory, należy składować osobno i przekazywać do zakładu recyklingu działającego zgodnie z przepisami dotyczącymi ochrony środowiska.

Przeznaczenie

Narzędzie jest przeznaczone do obcinania gałęzi i przycinania drzew. Jest również odpowiednie do ogólnych prac w zakresie pielęgnacji drzewostanu.

Hałas

Typowy równoważny poziom dźwięku A określony w oparciu o normę IEC62841-4-1:

Model DUC204

Poziom ciśnienia akustycznego (L_{pA}): 92,2 dB(A)
Poziom mocy akustycznej (L_{WA}): 103,2 dB (A)
Niepewność (K): 2,5 dB(A)

Model DUC254

Poziom ciśnienia akustycznego (L_{pA}): 92,2 dB(A)
Poziom mocy akustycznej (L_{WA}): 103,2 dB (A)
Niepewność (K): 2,5 dB(A)

Model DUC254C

Poziom ciśnienia akustycznego (L_{pA}): 92,2 dB(A)
Poziom mocy akustycznej (L_{WA}): 103,2 dB (A)
Niepewność (K): 2,5dB(A)

⚠ OSTRZEŻENIE: Nosić ochronniki słuchu.

Drgania

Całkowita wartość poziomu drgań (suma wektorów w 3 osiach) określona zgodnie z normą IEC62841-4-1:

Model DUC204

Tryb pracy: Cięcie drewna
Emisja drgań ($a_{h,W}$): 3,1 m/s²
Niepewność (K): 1,5 m/s²

Model DUC254

Tryb pracy: Cięcie drewna
Emisja drgań ($a_{h,W}$): 3,1 m/s²
Niepewność (K): 1,5 m/s²

Model DUC254C

Tryb pracy: Cięcie drewna
Emisja drgań ($a_{h,W}$): 4,1 m/s²
Niepewność (K): 1,5 m/s²

WSKAZÓWKA: Deklarowana wartość wytwarzanych drgań została zmierzona zgodnie ze standardową metodą testową i można ją wykorzystać do porównywania narzędzi.

WSKAZÓWKA: Deklarowaną wartość wytwarzanych drgań można także wykorzystać we wstępnej ocenie narażenia.

⚠️ OSTRZEŻENIE: Drgania wytwarzane podczas rzeczywistego użytkowania elektronarzędzia mogą się różnić od wartości deklarowanej, w zależności od sposobu jego użytkowania.

⚠️ OSTRZEŻENIE: W oparciu o szacowane narażenie w rzeczywistych warunkach użytkowania należy określić środki bezpieczeństwa w celu ochrony operatora (uwzględniając wszystkie elementy cyklu działania, tj. czas, kiedy narzędzie jest wyłączone i kiedy pracuje na biegu jałowym, a także czas, kiedy jest włączone).

Deklaracja zgodności WE

Dotyczy tylko krajów europejskich

Deklaracja zgodności WE jest dołączona jako załącznik A do niniejszej instrukcji obsługi.

OSTRZEŻENIA DOTYCZĄCE BEZPIECZEŃSTWA

Ogólne zasady bezpiecznej eksploatacji elektronarzędzi

⚠️ OSTRZEŻENIE: Należy zapoznać się z ostrzeżeniami dotyczącymi bezpieczeństwa, instrukcjami, ilustracjami i danymi technicznymi dołączonymi do tego elektronarzędzia. Niezastosowanie się do podanych poniżej instrukcji może prowadzić do porażenia prądem, pożaru i/lub poważnych obrażeń ciała.

Wszystkie ostrzeżenia i instrukcje należy zachować do wykorzystania w przyszłości.

Pojęcie „elektonarzędzie”, występujące w wymienionych tu ostrzeżeniach, odnosi się do elektronarzędzia zasilanego z sieci elektrycznej (z przewodem zasilającym) lub do elektronarzędzia akumulatorowego (bez przewodu zasilającego).

Ostrzeżenia dotyczące bezpieczeństwa dla akumulatorowej pilarki łańcuchowej

1. **Przy włączonej pilarence łańcuchowej należy trzymać wszystkie części ciała z dala od łańcucha tnącego. Przed rozpoczęciem pracy z pilarką łańcuchową należy upewnić się, że łańcuch tnący niczego nie dotyka.** Chwila nieuwagi podczas pracy pilarki może spowodować pochwycenie części ubrania lub ciała.
2. **Prawa ręka powinna zawsze spoczywać na górnej rękojeści pilarki łańcuchowej, a lewa na przedniej.** Trzymanie pilarki łańcuchowej odwrotnie zwiększa ryzyko powstania obrażeń ciała i absolutnie nie powinno być praktykowane.

3. **Ponieważ łańcuch tnący może zetknąć się z ukrytymi przewodami elektrycznymi, elektronarzędzie należy trzymać tylko za izolowane uchwyty.** Zetknięcie łańcucha tnącego z przewodem elektrycznym znajdującym się pod napięciem spowoduje, że odsłonięte elementy metalowe elektronarzędzia również znajdą się pod napięciem, grożąc porażeniem operatora prądem elektrycznym.
4. **Używać okularów ochronnych i ochronników słuchu.** Zaleca się używanie dodatkowego wyposażenia chroniącego głowę, ręce, nogi i stopy. Odpowiednia odzież ochronna obniża ryzyko powstania obrażeń ciała powodowanych odpryskami lub przypadkowym dotknięciem łańcucha tnącego.
5. **Zawsze należy układać stopy w taki sposób i w takich miejscach, aby zapewnić sobie odpowiednie podparcie.**
6. **Podczas cięcia naprężonych gałęzi należy uważać na ich odskakiwanie do swojego położenia.** Kiedy napięcie gałęzi zostanie zwolnione, gałąź może uderzyć operatora, a także wyrwać pilarkę łańcuchową spod kontroli.
7. **Należy bardzo uważać podczas cięcia krzaków i młodych drzewek.** Cienkie gałązki mogą zostać pochwycone przez łańcuch tnący i uderzyć operatora lub wytrącić go z równowagi.
8. **Pilarkę łańcuchową należy przенosić wyłączoną, trzymając ją za uchwyt przedni i z dala od siebie.** Podczas transportowania lub przechowywania pilarki łańcuchowej należy zawsze zakładać pokrywę prowadnicy. Prawidłowe obchodzenie się z pilarką łańcuchową zmniejsza prawdopodobieństwo przypadkowego dotknięcia poruszającego się łańcucha tnącego.
9. **Smarowanie, napinanie łańcucha i wymianę osprzętu należy przeprowadzać zgodnie z instrukcjami.** Nieprawidłowo napięty lub nasmarowany łańcuch może się zerwać lub zwiększyć ryzyko odrzutu.
10. **Utrzymywać rękojeści suche, czyste i niezabrudzone olejem ani smarem.** Tłuste uchwyty są śliskie i powodują utratę panowania nad narzędziem.
11. **Dozwolone jest wyłącznie cięcie drewna. Nie używać tej pilarki łańcuchowej niezgodnie z jej przeznaczeniem.** Na przykład: nie używać pilarki łańcuchowej do cięcia tworzyw sztucznych, cegieł ani innych materiałów budowlanych innych niż drewno. Używanie pilarki łańcuchowej do zastosowań innych niż przewidziane może powodować zagrożenie.
12. **Przyczyny odrzutu i zapobieganie odrzutowi:** Odrzut może powstawać, kiedy nos lub końcówka prowadnicy dotyka czegoś lub kiedy łańcuch tnący zakleszczy się w ciętym drewnie. Kontakt z końcówką prowadnicy może nieraz spowodować gwałtowną reakcję wstecz, przez co prowadnica odskoczy do tyłu w kierunku użytkownika. Zakleszczenie się łańcucha tnącego na górze prowadnicy może gwałtownie odepchnąć prowadnicę do tyłu w kierunku użytkownika. Każda z tych reakcji może spowodować utratę panowania nad pilarką, co grozi poważnymi obrażeniami ciała. Nie wolno polegać wyłącznie na urządzeniach zabezpieczających, w które pilarka jest wyposażona. Użytkownik pilarki łańcuchowej musi podjąć szereg kroków, aby nie dopuścić do wypadków ani obrażeń podczas pracy.

Odrzut jest wynikiem nieprawidłowej eksploatacji narzędzia i/lub niewłaściwych procedur lub warunków jego obsługi. Można go uniknąć, podejmując podane poniżej, odpowiednie środki ostrożności:

- Należy trzymać narzędzie silnie oburącz, obejmując kciukami i pozostałymi palcami uchwyty pilarki oraz ustawiając całe ciało i ramiona w taki sposób, aby przeciwdziałać siłom odrzutu. Użytkownik może kontrolować siły odrzutu, jeśli zostaną podjęte odpowiednie środki ostrożności. Nie wypuszczaj pilarki łańcuchowej.

► Rys.1

- Nie wolno sięgać pilarką zbyt daleko ani nie ciąć powyżej wysokości ramion. Pomoże to zapobiec przypadkowemu kontaktowi końcówki i zapewni lepszą kontrolę nad pilarką łańcuchową w nieoczekiwanych sytuacjach.
 - Stosować wyłącznie zamienne przewodnice i łańcuchy zalecane przez producenta. Stosowanie nieodpowiednich przewodnic i łańcuchów może powodować zrywanie się łańcucha i/lub odrzutu.
 - Należy przestrzegać instrukcji producenta dotyczących ostrzenia i konserwacji pilarki łańcuchowej. Zmniejszenie wysokości ogranicznika głębokości cięcia może prowadzić do zwiększenia odrzutu.
13. **Przed przystąpieniem do pracy należy sprawdzić, czy pilarka łańcuchowa jest sprawna i czy jej stan jest zgodny z przepisami dotyczącymi bezpieczeństwa. W szczególności sprawdzić:**
- hamulec łańcucha działa prawidłowo;
 - hamulec wybiegu działa prawidłowo;
 - przewodnica i pokrywa koła łańcuchowego są prawidłowo zamontowane;
 - łańcuch został naostrzony i naciągnięty zgodnie z przepisami.
14. **Nie uruchamiać pilarki łańcuchowej z założoną osłoną łańcucha.** Uruchomienie pilarki łańcuchowej z założoną osłoną łańcucha może spowodować wyrzucenie osłony do przodu, a tym samym obrażenia osób lub zniszczenie przedmiotów znajdujących się wokół użytkownika.

Ostrzeżenia dotyczące pilarki łańcuchowej z rękojeścią górną

1. **Ta pilarka łańcuchowa jest przeznaczona przede wszystkim do cięcia piełgacynowego i prac arborystycznych. Ta pilarka jest przeznaczona do użytku wyłącznie przez odpowiednio przeszkolone osoby. Należy przestrzegać wszystkich instrukcji, procedur i zaleceń wydawanych przez właściwe organizacje zawodowe. Nieprzestrzeganie ich może prowadzić do wypadków o skutkach śmiertelnych. W przypadku cięcia w gałęziach drzew zalecane jest korzystanie z platformy podnoszonej (żuraw wyciągnikowy, podnośnik). Prace z wykorzystaniem technik linowych są ekstremalnie niebezpieczne, a w celu ich wykonywania wymagane jest specjalne przeszkolenie. Operatorzy muszą być przeszkoleni z zakresu korzystania ze sprzętu zabezpieczającego oraz**

technik wspinaczkowych. Podczas pracy w drzewach zawsze należy używać odpowiednich uprząży, lin i karabińczyków. Zawsze należy stosować sprzęt chroniący przed upadkiem z wysokości, którym musi być zabezpieczony zarówno operator, jak i pilarka.

2. **Przed rozpoczęciem przechowywania zawsze należy wykonać czynności z zakresu czyszczenia i konserwacji zgodnie z instrukcją obsługi.**
3. **Podczas transportu pilarki łańcuchowej w samochodzie należy upewnić się, że jest ona ustawiona w sposób, który zapobiegnie wyciekom paliwa lub oleju, a także uszkodzeniom narzędzi i obrażeniom u ludzi.**
4. **Należy regularnie sprawdzać działanie hamulca łańcucha.**
5. **Oleju łańcuchowego nie należy nalewać w pobliżu ognia. Nie palić papierosów podczas nalewania oleju łańcuchowego.**
6. **Przepisy krajowe mogą ograniczać korzystanie z pilarki łańcuchowej.**
7. **W przypadku silnego uderzenia urządzeniem lub jego upadku należy sprawdzić jego stan przed przystąpieniem do kontynuowania pracy. Sprawdzić elementy sterujące i urządzenia zabezpieczające pod kątem usterek. W przypadku stwierdzenia uszkodzenia lub wątpliwości co do prawidłowej pracy narzędzia należy zwrócić się do autoryzowanego centrum serwisowego w celu przeprowadzenia przeglądu i naprawy.**
8. **Przed uruchomieniem pilarki łańcuchowej zawsze należy aktywować hamulec łańcucha.**
9. **Pilarkę należy mocno trzymać, aby eliminować jej ruchy na boki (poślizg) oraz odbijanie od gałęzi przy rozpoczęciu cięcia.**
10. **Na koniec cięcia należy zachować ostrożność, aby nie stracić równowagi z powodu nagłej utraty oparcia dla przewodnicy.**
11. **Uwzględnić kierunek i prędkość wiatru. Wiatr może roznosić trociny i mgiełkę oleju łańcuchowego, których należy unikać.**

Środki ochrony osobistej

1. **W celu uniknięcia obrażeń głowy, rąk i stóp oraz ochrony wzroku i słuchu, podczas pracy z pilarką spalinową należy stosować następujące środki ochrony osobistej:**

- **Odzież** powinna być odpowiednio dobrana, tj. nie powinna być luźna, ale nie może też ograniczać ruchów. Nie nosić biżuterii ani odzieży, która mogłaby się zaplątać w wysokich krzakach i zaroślach. Osoby z długimi włosami zawsze powinny nosić siatkę na włosy!
- **Podczas pracy z pilarką łańcuchową** zawsze nosić kask ochronny. **Kask ochronny** należy regularnie sprawdzać pod kątem uszkodzeń i wymieniać nie rzadziej niż co 5 lat. Stosować wyłącznie atestowane kaski ochronne.
- **Osłona twarzy** w kasku ochronnym (albo gogle ochronne) chroni przed wiorami i trocinami. Podczas obsługi pilarki łańcuchowej zawsze należy korzystać z gogli ochronnych albo osłony twarzy do ochrony przed urazami oczu.

- Stosować odpowiednie **ochronniki słuchu** (nauszniki, zatyczki do uszu itp.)
- **Kurtka ochronna** składa się z 22 warstw nylonu i chroni operatora przed przecięciami. Należy ją nosić podczas prac wykonywanych z platform podnoszonych (żuraw wysięgnikowy, podnośnik), platform na drabinach, a także podczas wspinania z użyciem lin.
- **Spodnie z szelkami i napierśnikiem** są wykonane z 22 warstw tkaniny nylonowej i chronią przed przecięciami. Zdecydowanie zalecamy korzystanie z takich spodni.
- **Rękawice ochronne** wykonane z grubej skóry są częścią opisywanego sprzętu i muszą być zawsze noszone podczas pracy z użyciem pilarki łańcuchowej.
- Podczas obsługi pilarki łańcuchowej zawsze należy nosić **obuwie ochronne** lub **buty robocze** z antypoślizgowymi podeszwami, stalowymi noskami i osłoną goleni. Obuwie ochronne z warstwą ochronną zapewnia ochronę przed skaleczeniami i zapewnia stabilność postawy. W przypadku pracy w drzewach buty robocze muszą być odpowiednio do wspinania.

Drgania

1. U osób ze słabym krążeniem nadmierne drgania mogą spowodować urazy naczyń krwionośnych albo układu nerwowego. Drgania mogą spowodować wystąpienie następujących objawów w palcach, dłońiach lub nadgarstkach: „zasypanie” (drętwienie), mrowienie, bóle, wrażenie klucia, zmiany w zabarwieniu skóry lub zmiany na skórze. **W przypadku wystąpienia któregokolwiek z powyższych objawów należy zgłosić się do lekarza!** W celu zmniejszenia ryzyka wystąpienia „choroby białych palców” należy zapobiegać wyziębieniu dłoni oraz zapewnić prawidłowy stan sprzętu i akcesoriów.

ZACHOWAĆ NINIEJSZE INSTRUKCJE.

⚠ OSTRZEŻENIE: NIE WOLNO pozwolić, aby wygodna lub rutyna (nabyta w wyniku wielokrotnego używania urządzenia) zastąpiły ścisłe przestrzeganie zasad bezpieczeństwa obsługi. **NIEWŁAŚCIWE UŻYTKOWANIE** narzędzia lub niestosowanie się do zasad bezpieczeństwa podanych w niniejszej instrukcji obsługi może prowadzić do poważnych obrażeń ciała.

Ważne zasady bezpieczeństwa dotyczące akumulatora

1. **Przed użyciem akumulatora zapoznać się ze wszystkimi instrukcjami i znakami ostrzegawczymi na (1) ładowarce, (2) akumulatorze i (3) produkcie, w którym będzie używany akumulator.**
2. **Akumulatora nie wolno rozbierać.**
3. **Jeśli czas działania uległ znacznemu skróceniu, należy natychmiast przerwać pracę. Może bowiem dojść do przegrzania, ewentualnych poparzeń, a nawet eksplozji.**

4. **W przypadku przedostania się elektrolitu do oczu, przemyć je czystą wodą i niezwłocznie uzyskać pomoc lekarską. Może on bowiem spowodować utratę wzroku.**
5. **Nie doprowadzać do zwarcia akumulatora:**
 - (1) **Nie dotykać styków materiałami przewodzącymi prąd.**
 - (2) **Unikać przechowywania akumulatora w pojemniku z metalowymi przedmiotami, takimi jak gwoździe, monety itp.**
 - (3) **Chronić akumulator przed deszczem lub wodą.**

Zwarcie prowadzi do przepływu prądu elektrycznego o dużym natężeniu i przegrzania akumulatora, co w konsekwencji może grozić poparzeniami a nawet awarią urządzenia.

6. **Narzędzia i akumulatora nie wolno przechowywać w miejscach, w których temperatura osiąga bądź przekracza 50°C (122°F).**
7. **Akumulatorów nie wolno spalać, również tych poważnie uszkodzonych lub całkowicie zużytych. Akumulator może eksplodować w ogniu.**
8. **Chronić akumulator przed upadkiem i uderzeniami.**
9. **Nie wolno używać uszkodzonego akumulatora.**
10. **Stanowiące wyposażenie akumulatory litowo-jonowe podlegają przepisom dotyczącym produktów niebezpiecznych.** Na potrzeby transportu komercyjnego, np. świadczonego przez firmę trzecią czy spedycyjną, należy przestrzegać specjalnych wymagań w zakresie pakowania i oznaczania etykietami. Przygotowanie produktu do wysyłki wymaga skonsultowania się ze specjalistą ds. materiałów niebezpiecznych. Należy także przestrzegać przepisów krajowych, które mogą być bardziej szczegółowe. Zakleić taśmą lub zaślepić otwarte styki akumulatora oraz zabezpieczyć go, aby nie mógł się przesuwać w opakowaniu.
11. **Postępować zgodnie z przepisami lokalnymi dotyczącymi usuwania akumulatorów.**
12. **Używać akumulatorów tylko z produktami określonymi przez firmę Makita.** Zastosowanie akumulatorów w niezgodnych produktach może spowodować pożar, przegrzanie, wybuch lub wyciek elektrolitu.

ZACHOWAĆ NINIEJSZE INSTRUKCJE.

⚠ PRZESTROGA: Używać wyłącznie oryginalnych akumulatorów firmy Makita. Używanie nieoryginalnych akumulatorów firm innych niż Makita lub akumulatorów, które zostały zmodyfikowane, może spowodować wybuch akumulatora i pożar, obrażenia ciała oraz zniszczenie mienia. Stanowi to również naruszenie warunków gwarancji firmy Makita dotyczących narzędzia i ładowarki.

Wskazówki dotyczące zachowania maksymalnej trwałości akumulatora

1. Akumulator należy naładować zanim zostanie do końca rozładowany. Po zauważeniu spadku mocy narzędzia należy przerwać pracę i naładować akumulator.
2. Nie wolno ładować powtórnie w pełni naładowanego akumulatora. Przeladowanie akumulatora skraca jego trwałość.

3. Akumulator należy ładować w temperaturze pokojowej w przedziale 10–40°C (50–104°F). W przypadku gorącego akumulatora przed przystąpieniem do ładowania należy poczekać, aż ostygnie.
4. Akumulatory nikielowo-wodorkowe należy naładować po okresie długiego nieużytkowania (dłuższego niż sześć miesięcy).

OPIS CZĘŚCI

► Rys.2

1	Spust przełącznika	2	Rękojeść górna	3	Dźwignia blokady włączenia
4	Przednia osłona ręki	5	Prowadnica	6	Łańcuch tnący
7	Chwytnak łańcucha	8	Nakrętka mocująca	9	Śruba regulacji łańcucha
10	Prowadnica wiórów	11	Akumulator	12	Główna kontrolka zasilania
13	Główny przełącznik zasilania	14	Śruba regulacyjna (pompy oleju)	15	Zaczep na karabińczyk
16	Uchwyt przedni	17	Korek zbiornika oleju	18	Oslona prowadnicy

OPIS DZIAŁANIA

▲ PRZESTROGA: Przed przystąpieniem do regulacji lub przeglądu narzędzia upewnić się, że jest ono wyłączone, a akumulator został wyjęty.

Wkładanie i wyjmowanie akumulatora

▲ PRZESTROGA: Przed włożeniem lub wyjęciem akumulatora należy zawsze wyłączyć narzędzie.

▲ PRZESTROGA: Podczas wkładania lub wyjmowania akumulatora należy mocno trzymać narzędzie i akumulator. W przeciwnym razie mogą się one wyślizgnąć z rąk, powodując uszkodzenie narzędzia lub akumulatora i obrażenia ciała.

► Rys.3: 1. Czerwony wskaźnik 2. Przycisk 3. Akumulator

Aby wyjąć akumulator, przesunąć przycisk znajdujący się w przedniej jego części i wysunąć akumulator.

Aby włożyć akumulator, wyrównaj występ na akumulatorze z rowkiem w obudowie i wsuń go na swoje miejsce. Akumulator należy wsunąć do oporu, aż się zatrzaśnie na miejscu, co jest sygnalizowane delikatnym kliknięciem. Jeśli w górnej części przycisku jest widoczny czerwony wskaźnik, akumulator nie został całkowicie zatrzaśnięty.

▲ PRZESTROGA: Akumulator należy włożyć do końca, tak aby czerwony wskaźnik nie był widoczny. W przeciwnym razie może przypadkowo wypaść z narzędzia, powodując obrażenia operatora lub osób postronnych.

▲ PRZESTROGA: Nie wkładać akumulatora na siłę. Jeśli akumulator nie daje się swobodnie wsunąć, oznacza to, że został włożony nieprawidłowo.

Wskazanie stanu naładowania akumulatora

Tylko w przypadku akumulatorów ze wskaźnikiem

► Rys.4: 1. Lampki wskaźnika 2. Przycisk kontrolny

Nacisnąć przycisk kontrolny na akumulatorze w celu wyświetlenia stanu naładowania akumulatora. Lampki wskaźnika zaświecą się przez kilka sekund.

Lampki wskaźnika			Pozostała energia akumulatora
Świeci się	Wyłączony	Miga	
■ ■ ■ ■			75–100%
■ ■ ■ □			50–75%
■ ■ □ □			25–50%
■ □ □ □			0–25%
▬ □ □ □			Naładować akumulator.
■ □ □ □			Akumulator może nie działać poprawnie.
□ □ ■ ■			

WSKAZÓWKA: Zależnie od warunków użytkowania i temperatury otoczenia, wskazywany poziom może nieznacznie się różnić od rzeczywistego stanu naładowania akumulatora.

Układ zabezpieczenia narzędzia/akumulatora

Narzędzie jest wyposażone w układ zabezpieczenia narzędzia/akumulatora. Układ automatycznie odcina zasilanie silnika w celu wydłużenia trwałości narzędzia i akumulatora. Narzędzie zostanie automatycznie zatrzymane podczas pracy w następujących sytuacjach związanych z narzędziem lub akumulatorem:

Zabezpieczenie przed przeciążeniem

W przypadku korzystania z akumulatora w sposób powodujący pobór nadmiernie wysokiego prądu narzędzie zostanie automatycznie zatrzymane, a główna kontrolka zasilania będzie migać na zielono. W takiej sytuacji należy wyłączyć narzędzie i zaprzestać wykonywania czynności powodującej jego przeciążenie. Następnie należy włączyć narzędzie w celu ponownego uruchomienia.

Zabezpieczenie przed przegrzaniem

W przypadku przegrzania narzędzia lub akumulatora narzędzie zostanie automatycznie zatrzymane, a główna kontrolka zasilania będzie świecić na czerwono. W takiej sytuacji należy odczekać, aż narzędzie ostygnie przed jego ponownym włączeniem.

WSKAZÓWKA: W otoczeniu o wysokiej temperaturze może zaistnieć zabezpieczenie przed przegrzaniem i wówczas nastąpi automatyczne zatrzymanie narzędzia.

Zabezpieczenie przed nadmiernym rozładowaniem

W przypadku niewystarczającego stanu naładowania akumulatora narzędzie zostanie automatycznie zatrzymane, a główna kontrolka zasilania będzie migać na czerwono. W takiej sytuacji należy wyjąć akumulator z narzędzia i naładować go.

Główny przełącznik zasilania

⚠ OSTRZEŻENIE: Zawsze wyłączać główny przełącznik zasilania, gdy narzędzie nie jest używane.

Aby włączyć narzędzie, należy nacisnąć i przytrzymać główny przycisk zasilania, aż główna kontrolka zasilania zacznie świecić na zielono. Aby wyłączyć narzędzie, należy ponownie nacisnąć główny przełącznik zasilania.

► **Rys.5:** 1. Główna kontrolka zasilania 2. Główny przełącznik zasilania

WSKAZÓWKA: Główna kontrolka zasilania będzie migać na zielono w przypadku pociągnięcia spustu przełącznika, gdy warunki uniemożliwiają uruchomienie narzędzia. Ta kontrolka miga w każdej z poniższych sytuacji.

- W przypadku ustawienia głównego przełącznika zasilania w położeniu włączonym podczas trzymania wciśniętej dźwigni blokady włączenia i wciśniętego spustu przełącznika.
- W przypadku pociągnięcia spustu przełącznika, gdy włączony jest hamulec łańcucha.
- W przypadku zwolnienia hamulca łańcucha podczas trzymania wciśniętej dźwigni blokady włączenia i wciśniętego spustu przełącznika.

WSKAZÓWKA: Pilarka łańcuchowa jest wyposażona w funkcję automatycznego wyłączenia. Aby nie dopuścić do przypadkowego uruchomienia, główny przełącznik zasilania automatycznie wyłącza narzędzie, jeśli spust przełącznika nie zostanie pociągnięty przez określony czas od włączenia głównego przełącznika zasilania.

Podczas cięcia grubych gałęzi albo twardych gałęzi można używać trybu zwiększonego momentu obrotowego. Aby używać narzędzia w trybie zwiększonego momentu obrotowego, gdy narzędzie jest wyłączone, należy nacisnąć główny przełącznik zasilania i przytrzymać go przez kilka sekund, aż główna kontrolka zasilania zaświeci się na żółto.

WSKAZÓWKA: Narzędzie może być używane w trybie zwiększonego momentu obrotowego przez maksymalnie 30 sekund. W zależności od warunków pracy ten tryb może zostać przełączony na tryb normalny w czasie krótszym niż 30 sekund.

WSKAZÓWKA: Jeśli po kilku sekundach naciskania głównego przełącznika zasilania główna kontrolka zasilania zacznie migać na żółto, oznacza to, że tryb zwiększonego momentu obrotowego jest niedostępny. W takim przypadku należy postępować zgodnie z poniższymi instrukcjami.

- Tryb zwiększonego momentu obrotowego nie jest dostępny bezpośrednio po zakończeniu cięcia. Należy odczekać ponad 10 sekund, a następnie ponownie nacisnąć główny przełącznik zasilania.
- Jeśli tryb zwiększonego momentu obrotowego zostanie użyty kilkakrotnie, dalsze użycie będzie ograniczone w celu ochrony przed rozładowaniem akumulatora. Jeśli po upływie ponad 10 sekund tryb zwiększonego momentu obrotowego jest niedostępny, należy wymienić akumulator na akumulator w pełni naładowany albo należy naładować akumulator.

WSKAZÓWKA: Jeśli główna kontrolka zasilania zaświeci się na czerwono albo zacznie migać na czerwono lub zielono, należy zapoznać się z instrukcją obsługi układu zabezpieczenia narzędzia/akumulatora.

WSKAZÓWKA: Tryb zwiększonego momentu obrotowego nie może być używany, gdy zamontowany jest akumulator BL1815N, BL1820 lub BL1820B.

Działanie przełącznika

⚠ OSTRZEŻENIE: Ze względów bezpieczeństwa narzędzie jest wyposażone w dźwignię blokady włączenia, która zapobiega przypadkowemu uruchomieniu narzędzia. **NIE WOLNO** używać narzędzia, jeśli można je uruchomić tylko za pomocą spustu przełącznika bez uprzedniego wciśnięcia dźwigni blokady włączenia. **PRZED** dalszym użytkowaniem narzędzia należy przekazać je do naszego autoryzowanego punktu serwisowego w celu naprawy.

⚠ OSTRZEŻENIE: **NIE WOLNO** zaklejać dźwigni blokady taśmą ani w inny sposób blokować jej działania.

⚠ PRZESTROGA: Przed włożeniem akumulatora do narzędzia należy zawsze sprawdzić, czy spust przełącznika działa prawidłowo i czy powraca do położenia wyłączenia po jego zwolnieniu.

UWAGA: Nie ciągnąć na siłę spustu przełącznika bez wcześniejszego wciśnięcia dźwigni blokady. Można w ten sposób połamać przełącznik.

Aby nie dopuścić do przypadkowego pociągnięcia spustu przełącznika, narzędzie jest wyposażone w dźwignię blokady włączenia. Aby uruchomić narzędzie, należy zwolnić dźwignię blokady włączenia i pociągnąć spust przełącznika. Prędkość narzędzia zwiększa się wraz ze zwiększaniem nacisku na spust przełącznika. W celu zatrzymania urządzenia wystarczy zwolnić spust przełącznika.

► **Rys.6:** 1. Spust przełącznika 2. Dźwignia blokady włączenia

Kontrola hamulca łańcucha

⚠ PRZESTROGA: Pilarke łańcuchową w trakcie włączania należy trzymać oburącz. Prawa ręka powinna spoczywać na górnej rękojeści, a lewa ręka na przedniej. Prowadnica i łańcuch nie mogą stykać się z żadnym przedmiotem.

⚠ PRZESTROGA: Jeżeli łańcuch pilarki nie zatrzyma się od razu po przeprowadzeniu tej próby, w żadnym wypadku nie wolno używać tej pilarki. Skontaktować się z autoryzowanym punktem serwisowym.

1. Nacisnąć dźwignię blokady włączenia i pociągnąć spust przełącznika. Łańcuch tnący zacznie się natychmiast poruszać.

2. Popchnąć w przód przednią osłonę ręki wierzchem dłoni. Upewnić się, że pilarka łańcuchowa natychmiast zatrzyma się.

► **Rys.7:** 1. Przednia osłona ręki 2. Położenie odblokowania 3. Położenie zablokowania

Kontrola hamulca wybiegu

⚠ PRZESTROGA: Jeśli łańcuch tnący nie zatrzymuje się w ciągu dwóch sekund podczas tej próby, należy niezwłocznie zaprzestać użytkowania pilarki łańcuchowej i skontaktować się z naszym autoryzowanym punktem serwisowym.

Uruchomić pilarkę łańcuchową, a następnie całkowicie zwolnić spust przełącznika. Łańcuch tnący musi się zatrzymać w ciągu dwóch sekund.

Regulacja smarowania łańcucha

Szybkość zasilania pompy oleju można wyregulować, obracając śrubę regulacyjną kluczem uniwersalnym. Ilość oleju można wyregulować w 3 krokach.

► **Rys.8:** 1. Śruba regulacyjna

Zaczepek na karabińczyk (punkt mocowania liny)

Narzędzie można zawiesić, dołączając linę do zaczepu na karabińczyk. Zaczepek należy pociągnąć w górę, a następnie zawiązać do niego linę.

Funkcja regulacji elektronicznej

Narzędzie jest wyposażone w funkcje regulacji elektronicznej ułatwiające jego obsługę.

- Funkcja łagodnego uruchamiania
Funkcja łagodnego uruchamiania minimalizuje wstrząs powstający podczas normalnego uruchamiania, dzięki czemu rozruch narzędzia jest płynny.

MONTAŻ

⚠ PRZESTROGA: Przed przystąpieniem do prac konserwacyjnych przy narzędziu upewnić się, że jest ono wyłączone, a akumulator został wyjęty.

⚠ PRZESTROGA: Nie dotykać łańcucha tnącego gołymi rękoma. Podczas obsługi łańcucha tnącego zawsze należy nosić rękawice ochronne.

Zdejmowanie i zakładanie łańcucha tnącego

⚠ PRZESTROGA: Łańcuch tnący i prowadnica są gorące po zakończeniu pracy. Poczekać na ich ostygnięcie przed przystąpieniem do przeprowadzania jakichkolwiek prac przy narzędziu.

⚠ PRZESTROGA: Procedurę zakładania i zdejmowania łańcucha tnącego należy przeprowadzać w czystym miejscu, wolnym od trocin itp.

Aby zdjąć łańcuch tnący, należy wykonać następującą procedurę:

1. Zwolnić hamulec łańcucha, pociągając przednią osłonę ręki.
2. Poluzować śrubę regulacji łańcucha, a następnie nakrętkę mocującą.
► **Rys.9:** 1. Śruba regulacji łańcucha 2. Nakrętka mocująca
3. Wyjąć pokrywę koła łańcuchowego, a następnie łańcuch tnący i prowadnicę z korpusu pilarki łańcuchowej.

Aby założyć łańcuch tnący, należy wykonać poniższą procedurę:

1. Sprawdzić kierunek łańcucha tnącego. Dopasować kierunek łańcucha tnącego do znaku na korpusie pilarki łańcuchowej.
2. Zamocować jeden koniec łańcucha tnącego na górze prowadnicy.
3. Drugi koniec owinąć wokół koła łańcuchowego, a następnie zamocować prowadnicę do korpusu pilarki, wyrównując otwór na prowadnicę z kołkiem na korpusie.
► **Rys.10:** 1. Koło łańcuchowe 2. Otwór

4. Wprowadzić występ pokrywy koła łańcuchowego do korpusu pilarki łańcuchowej, a następnie zamknąć pokrywę w taki sposób, aby śruba i kołki na korpusie spotkały się z ich odpowiednikami na pokrywie.

► **Rys.11:** 1. Występ 2. Pokrywa koła łańcuchowego 3. Śruba 4. Kołek

5. Dokręcić nakrętkę mocującą, aby unieruchomić pokrywę koła łańcuchowego, a następnie poluzować ją nieznacznie, aby wyregulować naciąg łańcucha.

► **Rys.12:** 1. Nakrętka mocująca

Regulacja napięcia łańcucha tnącego

⚠ PRZESTROGA: Nie napinać łańcucha tnącego zbyt mocno. Nadmierne napięcie łańcucha tnącego może prowadzić do zerwania łańcucha tnącego, zużycia prowadnicy oraz pęknięcia pokrętki regulacyjnego.

⚠ PRZESTROGA: Za luźny łańcuch może zeskończyć z prowadnicy i spowodować obrażenia ciała.

Po wielu godzinach pracy łańcuch tnący może zrobić się luźny. Od czasu do czasu przed przystąpieniem do pracy należy skontrolować napięcie łańcucha.

1. Zwolnić hamulec łańcucha, pociągając przednią osłonę ręki.

2. Nieznacznie poluzować nakrętkę mocującą, aby poluzować pokrywę koła łańcuchowego.

► **Rys.13:** 1. Nakrętka mocująca

3. Podnieść lekko koniec prowadnicy i wyregulować naciąg łańcucha. Obracanie śruby regulacji łańcucha w kierunku zgodnym z ruchem wskazówek zegara powoduje zwiększanie naciągu, a w kierunku przeciwnym — zmniejszanie naciągu.

W przypadku ostrzy łańcucha 90PX i 91PX:

Napiąć łańcuch tnący tak, aby dolna część łańcucha tnącego znalazła się w szynie prowadnicy w sposób pokazany na rysunku.

► **Rys.14:** 1. Prowadnica 2. Łańcuch tnący 3. Śruba regulacji łańcucha

W przypadku ostrza łańcucha 25AP:

Napiąć łańcuch tnący tak, aby odstęp między środkiem dolnej strony prowadnicy a łańcuchem tnącym wynosił od około 1 mm do około 2 mm.

4. Przytrzymując lekko prowadnicę, napiąć pokrywę koła łańcuchowego.

W przypadku ostrzy łańcucha 90PX i 91PX:

Upewnić się, że dolna część łańcucha tnącego się nie poluzowała.

W przypadku ostrza łańcucha 25AP:

Dopilnować, aby odstęp między środkiem dolnej strony prowadnicy a łańcuchem tnącym wynosił od około 1 mm do około 2 mm.

5. Dokręcić nakrętkę mocującą, aby zamocować pokrywę koła łańcuchowego.

► **Rys.15:** 1. Nakrętka mocująca

Sprawdzić, czy łańcuch tnący ciasno dolega do dolnej części prowadnicy.

Zderzak zębaty

Osprzęt dodatkowy

Podczas cięcia grubych gałęzi zalecane jest użycie zderzaka zębatego. Aby zamontować zderzak zębaty, należy wykonać następujące czynności:

1. Zdjąć z narzędzia pokrywę koła łańcuchowego, łańcuch tnący i prowadnicę.

2. Wyrównać otwory zderzaka zębatego z otworami na korpusie pilarki łańcuchowej, a następnie mocno dokręcić śruby.

► **Rys.16:** 1. Śruba 2. Zderzak zębaty

OBSŁUGA

Smarowanie

Podczas pracy łańcuch tnący jest smarowany automatycznie. Okresowo należy sprawdzać ilość oleju w zbiorniku oleju przez okienko kontrolne oleju.

W celu uzupełnienia zbiornika położyć pilarkę łańcuchową na boku i wykręcić korek zbiornika oleju. Odpowiednia ilość oleju to 140 ml. Po uzupełnieniu należy dobrze przykręcić korek zbiornika oleju.

► **Rys.17:** 1. Korek zbiornika oleju 2. Okienko kontrolne oleju

Po uzupełnieniu należy stanąć z pilarką łańcuchową z dala od drzewa. Następnie należy uruchomić pilarkę i zacząć, aż łańcuch tnący zostanie wystarczająco nasmarowany.

► **Rys.18**

UWAGA: W przypadku pierwszego napełnienia pilarki olejem do smarowania łańcucha lub uzupełnienia zbiornika po jego całkowitym opróżnieniu należy wlać olej do poziomu dolnej krawędzi szyjki wlewu. W przeciwnym razie dostarczanie oleju może ulec pogorszeniu.

UWAGA: Do smarowania należy używać wyłącznie oleju do pilarek łańcuchowych firmy Makita lub odpowiednich olejów dostępnych na rynku.

UWAGA: Nie wolno używać oleju zanieczyszczonego pyłem lub innymi cząstkami ani też olejów lotnych.

UWAGA: Do przycinania drzew należy używać oleju roślinnego. Olej mineralny może szkodzić roślinom.

UWAGA: Przed przystąpieniem do cięcia należy sprawdzić, czy korek zbiornika oleju jest przykręcony.

PRACA PRZY UŻYCIU PILARKI ŁAŃCUCHOWEJ

⚠ PRZESTROGA: Początkujący użytkownik w ramach minimalnej praktyki powinien ciąć kłody na koźle do piłowania drewna.

⚠ PRZESTROGA: Podczas cięcia naciętego wstępnie drewna używać podpory zabezpieczającej (koziół do piłowania drewna lub widełki). Nie przytrzymywać obrabianego elementu stopą ani nie pozwalać na to nikomu innemu.

⚠ PRZESTROGA: Zabezpieczyć okrągłe elementy przed obracaniem się.

⚠ PRZESTROGA: Przy włączonym silniku należy trzymać wszystkie części ciała z dala od łańcucha tnącego.

⚠ PRZESTROGA: Przy włączonym silniku pilarkę łańcuchową należy trzymać mocno oburącz.

⚠ PRZESTROGA: Nie sięgać zbyt daleko. Zawsze stać na pewnym podłożu i utrzymywać równowagę.

UWAGA: Nie rzucać ani upuszczać narzędzia.

UWAGA: Nie zakrywać otworów wentylacyjnych narzędzia.

Przycinanie drzew

Przed włączeniem narzędzia przyłożyć korpus pilarki łańcuchowej do ścinanej gałęzi. W przeciwnym razie spowoduje to bicie wzdłużne prowadnicy, doprowadzając do obrażeń ciała użytkownika. Ciąć drewno, przesuwając pilarkę w dół, wykorzystując jej ciężar.

► Rys.19

Jeśli nie można przeciąć kłody jednym cięciem: nieznacznie docisnąć rękojeść i kontynuować cięcie, a następnie nieznacznie wycofać łańcuch tnący.

► Rys.20

W przypadku cięcia grubych gałęzi należy najpierw wykonać płytki wręb od dołu, a następnie wykonać końcowe cięcie od góry.

► Rys.21

W przypadku próby odcięcia grubej gałęzi od góry gałąź może ścisnąć łańcuch tnący w szczelinie. W przypadku próby odcięcia grubej gałęzi od góry bez wrębu od dołu gałąź może ulec rozłupaniu.

► Rys.22

Przecinanie

1. Oprzeć korpus pilarki łańcuchowej na przecinanej kłodzie.

► Rys.23

2. Wprawić łańcuch tnący w ruch, zagłębić pilarkę w drewno, unosząc ją do góry za górną rękojeść i prowadząc ją przy użyciu przedniej rękojeści.

3. Kontynuować cięcie, wywierając niewielki nacisk na górną rękojeść i powoli zwalniając nacisk na tylną część pilarki.

UWAGA: W przypadku wykonywania kilku operacji cięcia należy wyłączać pilarkę łańcuchową pomiędzy poszczególnymi cięciami.

⚠ PRZESTROGA: Jeżeli do cięcia będzie wykorzystywana górna krawędź prowadnicy i łańcuch zostanie pochwycony, wówczas pilarka może odskoczyć w kierunku użytkownika. Z tego względu należy ciąć przy użyciu dolnej krawędzi, tak aby siła odrzutu pilarki była skierowana od operatora.

► Rys.24

Cięcie drewna, w którym występują naprężenia, należy rozpocząć od strony ściskanej (A). Następnie wykonać końcowe cięcie po stronie rozciąganej (B). Ta metoda zapobiega zakleszczeniu prowadnicy.

► Rys.25

Okrzesywanie

⚠ PRZESTROGA: Operację okrzyszowania mogą wykonywać tylko przeszkolone osoby. Występuje bowiem zagrożenie związane ze zjawiskiem odrzutu.

W przypadku okrzyszowania pilarkę łańcuchową należy w miarę możliwości oprzeć o pień. Nie wolno ciąć czubkiem prowadnicy, ponieważ grozi to odrzutem pilarki. Należy zwrócić szczególną uwagę na gałęzie, w których występują naprężenia. Nie ciąć od spodu gałęzi, które nie są podparte. Podczas okrzyszowania nie stać na ściętym pniu drzewa.

Przeniesienie narzędzia

Przed przeniesieniem narzędzia należy zawsze włączyć hamulec łańcucha i wyjąć akumulatory z narzędzia. Następnie należy założyć osłonę prowadnicy. Na akumulator także należy założyć pokrywę.

► Rys.26: 1. Osłona prowadnicy 2. Pokrywa akumulatora

KONSERWACJA

⚠ PRZESTROGA: Przed przystąpieniem do przeglądu narzędzia lub jego konserwacji upewnić się, że jest ono wyłączone, a akumulator wyjęty.

⚠ PRZESTROGA: Podczas wykonywania przeglądu bądź konserwacji zawsze należy nosić rękawice.

UWAGA: Nie stosować benzyny, rozpuszczalników, alkoholu itp. środków. Mogą one powodować odbarwienia, odkształcenia lub pęknięcia.

W celu zachowania odpowiedniego poziomu BEZPIECZEŃSTWA i NIEZAWODNOŚCI produktu wszelkie naprawy i różnego rodzaju prace konserwacyjne lub regulacje powinny być przeprowadzane przez autoryzowany lub fabryczny punkt serwisowy narzędzi Makita, zawsze z użyciem oryginalnych części zamiennych Makita.

Ostrzenie łańcucha tnącego

Łańcuch wymaga naostrzenia, gdy:

- podczas cięcia wilgotnego drewna powstają mączne trociny;
- łańcuch wchodzi w drewno z trudem, nawet gdy wywierany jest duży nacisk;

- krawędź rzazu jest w sposób wyraźny uszkodzona;
- piła w drewnie ciągnie w lewą bądź w prawą stronę. (powodem takiego zachowania jest nierównomierne naostrzenie łańcucha pilarki lub uszkodzenie powstałe tylko z jednej strony)

Łańcuch pilarki należy często ostrzyć, zbierając za każdym razem tylko niewielką ilość materiału. W przypadku rutynowego ostrzenia zwykle wystarczają dwa lub trzy pociągnięcia pilnikiem. Gdy łańcuch tnący był ostrzony już kilka razy, należy zlecić jego naostrzenie w naszym autoryzowanym punkcie serwisowym.

Kryteria ostrzenia:

⚠ OSTRZEŻENIE: Zbyt duża odległość między krawędzią tnącą a ogranicznikiem głębokości zwiększa ryzyko odrzutów.

- ▶ **Rys.27:** 1. Długość zęba tnącego 2. Odległość pomiędzy krawędzią tnącą a ogranicznikiem głębokości 3. Minimalna długość zęba tnącego (3 mm)
- Długości wszystkich zębów tnących muszą być równe. Zęby tnące o różnych długościach powodują, że łańcuch porusza się nierówno i może ulec zerwaniu.
- Nie ostrzyć łańcucha, gdy długość zęba tnącego wynosi 3 mm lub mniej. Łańcuch należy wymienić na nowy.
- Grubość wiórów zależy od odległości pomiędzy ogranicznikiem głębokości (okrągły czubek) a krawędzią cięcia.
- Najlepsze rezultaty cięcia uzyskuje się przy podanej poniżej odległości pomiędzy krawędzią tnącą a ogranicznikiem głębokości.
 - Ostrze łańcucha 90PX : 0,65 mm
 - Ostrze łańcucha 91PX : 0,65 mm
 - Ostrze łańcucha 25AP : 0,65 mm
- ▶ **Rys.28**
- Kąt ostrzenia wynoszący 30° powinien być taki sam dla wszystkich zębów tnących. Różnice w kątach zębów tnących powodują szarpanie i nierówną pracę łańcucha oraz przyspieszone zużycie i prowadzą do zrywania łańcucha.
- Używać odpowiedniego okrągłego pilnika, aby zachować właściwy kąt ostrzenia zębów.
 - Ostrze łańcucha 90PX : 55°
 - Ostrze łańcucha 91PX : 55°
 - Ostrze łańcucha 25AP : 55°

Pilnik i prowadzenie pilnika

- Do ostrzenia łańcucha należy używać specjalnego pilnika okrągłego do łańcuchów tnących (akcesoria opcjonalne). Zwykle pilniki okrągłe nie nadają się do tego celu.
- Średnice pilników okrągłych dla poszczególnych łańcuchów tnących są następujące:
 - Ostrze łańcucha 90PX : 4,5 mm
 - Ostrze łańcucha 91PX : 4,0 mm
 - Ostrze łańcucha 25AP : 4,0 mm
- Pilnik powinien ostrzyć ząb tnący tylko podczas ruchu w przód. Przy ruchu powrotnym pilnik należy odsunąć od zęba tnącego.

- Ostrzenie należy zacząć od najkrótszego zęba tnącego. Wówczas długość najkrótszego zęba tnącego staje się standardową długością dla wszystkich pozostałych zębów tnących łańcucha tnącego.
- Pilnik należy prowadzić zgodnie z rysunkiem.
 - ▶ **Rys.29:** 1. Pilnik 2. Łańcuch tnący
- Pilnik można łatwiej prowadzić za pomocą prowadnika (akcesoria opcjonalne). Prowadnik pilnika ma znaczniki do prawidłowego ostrzenia pod kątem 30° (znaczniki powinny być równoległe do łańcucha pilarki). Ogranicza on również głębokość penetracji (do 4/5 średnicy pilnika).
- ▶ **Rys.30:** 1. Prowadnik pilnika

- Po naostrzeniu łańcucha należy sprawdzić wysokość ogranicznika głębokości za pomocą specjalnego głębokościomierza do łańcuchów (akcesoria opcjonalne).

▶ Rys.31

- Zadziory, obojętnie jak małe, należy usunąć specjalnym pilnikiem płaskim (akcesoria opcjonalne).
- Ponownie należy zaokrąglić przednią część ogranicznika głębokości.

Czyszczenie prowadnicy

Wióry i trociny zbierają się w rowku prowadnicy. Mogą one zatykać rowek prowadnicy i pogarszać przepływ oleju. Za każdym razem podczas ostrzenia lub wymiany łańcucha tnącego należy oczyścić narzędzie z wiórów i trocin.

▶ Rys.32

Czyszczenie pokrywy koła łańcuchowego

Wióry i trociny gromadzą się wewnątrz pokrywy koła łańcuchowego. Wymontować pokrywę koła łańcuchowego i łańcuch tnący z narzędzia, a następnie wyczyścić je z wiórów i trocin.

▶ Rys.33

Czyszczenie otworu wylotowego oleju

Podczas eksploatacji maszyny w okolicy otworu wylotowego oleju może się gromadzić pył i zanieczyszczenia. Pył i zanieczyszczenia mogą pogarszać przepływ oleju, powodując tym samym niewystarczające smarowanie całego łańcucha tnącego. Jeżeli do górnej części prowadnicy dociera zbyt mała ilość oleju, wyczyścić otwór wylotowy oleju w następujący sposób.

1. Zdjąć z narzędzia pokrywę koła łańcuchowego i łańcuch tnący.
2. Usunąć pył i zanieczyszczenia za pomocą cienkiego płaskiego wkrętaka lub podobnego przyrządu.
 - ▶ **Rys.34:** 1. Wkrętak płaski 2. Otwór wylotowy oleju
3. Włożyć akumulator do narzędzia. Pociągnąć za spust przełącznika, aby usunąć nagromadzony pył i zanieczyszczenia z otworu wylotowego oleju poprzez przepływ oleju.
4. Wyjąć akumulator z narzędzia. Założyć z powrotem pokrywę koła łańcuchowego i łańcuch tnący.

Wymiana koła łańcuchowego

⚠ PRZESTROGA: Zużyte koło łańcuchowe spowoduje uszkodzenie nowego łańcucha tnącego. W takim przypadku należy zlecić wymianę koła łańcuchowego.

Przed zamontowaniem nowego łańcucha tnącego należy sprawdzić stan koła łańcuchowego.

► **Rys.35:** 1. Koło łańcuchowe 2. Obszary zużycia

Podczas wymiany koła łańcuchowego należy zawsze zamontować nowy pierścień zabezpieczający.

► **Rys.36:** 1. Pierścień zabezpieczający 2. Koło łańcuchowe

UWAGA: Upewnij się, że koło łańcuchowe jest zamontowane, jak pokazano na rysunku.

Przechowywanie narzędzia

1. Przed odłożeniem narzędzia do przechowywania należy je wyczyścić. Po zdjęciu z narzędzia pokrywy koła łańcuchowego należy je oczyścić z wiórów i trocin.
2. Po wyczyszczeniu narzędzia należy je uruchomić bez obciążenia, aby nasmarować łańcuch i prowadnicę.
3. Założyć osłonę prowadnicy na prowadnicę.
4. Opróżnić zbiornik oleju.

Instrukcje dotyczące konserwacji okresowej

Aby zapewnić długą żywotność narzędzia, zapobiec jego uszkodzeniu i zapewnić prawidłowe działanie wszystkich zabezpieczeń, należy regularnie wykonywać wymienione poniżej prace konserwacyjne. Roszczenia gwarancyjne mogą być uznane tylko, w przypadku gdy takie prace są wykonywane regularnie i w prawidłowy sposób. Niewykonywanie zalecanych prac konserwacyjnych może prowadzić do wypadków! Użytkownik pilarki łańcuchowej nie może wykonywać żadnych prac konserwacyjnych, które nie zostały opisane w niniejszej instrukcji obsługi. Wszelkie takie prace mogą być wykonywane tylko w naszym autoryzowanym punkcie serwisowym.

Element / czas wykonania		Przed rozpoczęciem pracy	Codziennie	Co tydzień	Co 3 miesiące	Raz w roku	Przed przechowywaniem
Pilarka łańcuchowa	Kontrola.	✓	-	-	-	-	-
	Czyszczenie.	-	✓	-	-	-	-
	Zlecić przegląd autoryzowanemu punktowi serwisowemu.	-	-	-	-	✓	✓
Łańcuch tnący	Kontrola.	✓	-	-	-	-	-
	Naostrzyć w razie konieczności.	-	-	-	-	-	✓
Prowadnica	Kontrola.	✓	✓	-	-	-	-
	Wymontować z pilarki łańcuchowej.	-	-	-	-	-	✓
Hamulec łańcucha	Sprawdzić działanie.	✓	-	-	-	-	-
	Zlecić regularną kontrolę autoryzowanemu punktowi serwisowemu.	-	-	-	✓	-	-
Smarowanie łańcucha	Sprawdzić szybkość zasilania olejem.	✓	-	-	-	-	-
Spust przełącznika	Kontrola.	✓	-	-	-	-	-
Dźwignia blokady włączenia	Kontrola.	✓	-	-	-	-	-
Korek zbiornika oleju	Sprawdzić dokręcenie.	✓	-	-	-	-	-
Chwytek łańcucha	Kontrola.	-	-	✓	-	-	-
Śruby i nakrętki	Kontrola.	-	-	✓	-	-	-

ROZWIĄZYWANIE PROBLEMÓW

Przed oddaniem urządzenia do naprawy należy najpierw przeprowadzić samodzielną kontrolę. W razie napotkania problemu, który nie został wyjaśniony w instrukcji, nie należy próbować demontować urządzenia we własnym zakresie. Należy natomiast zlecić naprawę w autoryzowanym punkcie serwisowym firmy Makita; zawsze z użyciem oryginalnych części zamiennych Makita.

Stan usterki	Przyczyna	Działanie
Piłarka łańcuchowa nie uruchamia się.	Nie włożono akumulatora.	Włożyć naładowany akumulator.
	Problem z akumulatorem (za niskie napięcie).	Naładować akumulatory. Jeśli naładowanie akumulatora nie przynosi skutku, należy go wymienić.
	Główny przełącznik zasilania jest wyłączony.	Piłarka łańcuchowa wyłącza się automatycznie, jeśli nie jest używana przez określony czas. Włączyć jeszcze raz główny przełącznik zasilania.
Piłarka łańcuchowa nie działa.	Włączony hamulec łańcucha.	Zwolnić hamulec łańcucha.
Silnik wyłącza się po krótkim czasie.	Niski poziom naładowania akumulatora.	Naładować akumulatory. Jeśli naładowanie akumulatora nie przynosi skutku, należy go wymienić.
Brak oleju na łańcuchu.	Pusty zbiornik oleju.	Napełnić zbiornik oleju.
	Zanieczyszczony rowek rozprowadzający olej.	Oczyścić rowek.
	Słaby przepływ oleju.	Wyregulować przepływ oleju śrubą regulacyjną.
Piłarka łańcuchowa nie osiąga maksymalnej prędkości obrotowej.	Akumulator jest włożony nieprawidłowo.	Włożyć akumulatory zgodnie z opisem w niniejszej instrukcji.
	Spada moc akumulatora.	Naładować akumulator. Jeśli naładowanie akumulatora nie przynosi skutku, należy go wymienić.
	Układ napędowy nie działa prawidłowo.	Zlecić naprawę autoryzowanemu punktowi serwisowemu.
Główna kontrolka zasilania miga na zielono.	Spust przełącznika został pociągnięty, gdy warunki uniemożliwiają uruchomienie narzędzia.	Pociągnąć spust przełącznika po włączeniu głównego przełącznika zasilania i zwolnieniu hamulca łańcucha.
Łańcuch nie zatrzymuje się, nawet po włączeniu hamulca łańcucha: Natychmiast wyłączyć narzędzie!	Taśma hamulca jest zużyta.	Zlecić naprawę autoryzowanemu punktowi serwisowemu.
Nietypowe drgania: Natychmiast wyłączyć narzędzie!	Poluzować prowadnicę lub łańcuch tnący.	Wyregulować prowadnicę i napięcie łańcucha tnącego.
	Nieprawidłowe działanie narzędzia.	Zlecić naprawę autoryzowanemu punktowi serwisowemu.
Tryb zwiększonego momentu obrotowego jest niedostępny po wymianie akumulatora na akumulator w pełni naładowany.	W zależności od warunków pracy tryb zwiększonego momentu obrotowego jest niedostępny po wymianie akumulatora.	Narzędzia należy używać w trybie normalnym aż do rozładowania akumulatora, a następnie wymienić akumulator na w pełni naładowany albo naładować akumulator.

AKCESORIA OPCJONALNE

▲ PRZESTROGA: Zaleca się stosowanie wymienionych akcesoriów i przystawek razem z narzędziem Makita opisanym w niniejszej instrukcji. Stosowanie innych akcesoriów lub przystawek może być przyczyną obrażeń ciała. Akcesoria lub przystawki należy wykorzystywać tylko zgodnie z ich przeznaczeniem.

W razie potrzeby wszelkiej pomocy i szczegółowych informacji na temat niniejszych akcesoriów udziela Państwu lokalne punkty serwisowe Makita.

- Łańcuch tnący
- Prowadnica
- Osłona prowadnicy

- Koło łańcuchowe
- Zderzak zębaty
- Piłnik
- Torba na narzędzia
- Oryginalny akumulator i ładowarka firmy Makita

▲ OSTRZEŻENIE: W przypadku zakupu prowadnicy o innej długości niż standardowa należy również kupić odpowiednią osłonę prowadnicy. Osłona musi pasować i całkowicie osłaniać prowadnicę na pilarkę łańcuchową.

WSKAZÓWKA: Niektóre pozycje znajdujące się na liście mogą być dołączone do pakietu narzędziowego jako akcesoria standardowe. Mogą to być różne pozycje, w zależności od kraju.

RÉSZLETES LEÍRÁS

Típus:		DUC204	DUC254	DUC254C
Teljes hossz (láncvezető nélkül)		256 mm		
Névleges feszültség		18 V, egyenáram		
Nettó tömeg		2,8–3,3 kg		
Standard láncvezető hossz		200 mm	250 mm	
Javasolt láncvezető hossz	90PX esetén	200–250 mm		-
	91PX esetén	-	250 mm	-
	25AP esetén	-	-	250 mm
Alkalmazható fűrészlánc típusa (tájékoztató az alábbi táblázatból)		90PX	90PX 91PX	25AP
Standard lánckerék	Fogak száma	6		9
	Osztás	3/8"		1/4"
Láncsebesség		0 - 24 m/s (0 - 1 440 m/min)		0 - 22,5 m/s (0 - 1 350 m/min)
A láncoajtartály úrtartalma		140 cm ³		

- Folyamatos kutató- és fejlesztőprogramunk eredményeként az itt felsorolt tulajdonságok figyelmeztetés nélkül megváltozhatnak.
- A műszaki adatok országról országra különbözhetnek.
- A súly a felszerelt tartozékoktól függően változhat, az akkumulátort is beleértve. Az EPTA 01/2014 eljárás szerint meghatározott legnehezebb, illetve legkönnyebb kombináció a táblázatban látható.

Alkalmazható akkumulátorok

BL 1815N / BL 1820 / BL 1820B / BL 1830 / BL 1830B / BL 1840 / BL 1840B / BL 1850 / BL 1850B / BL 1860B

- Lakóhelyétől függően előfordulhat, hogy a fent felsorolt akkumulátorok nem érhetők el.

▲ FIGYELMEZTETÉS: Csak a fentiekben felsorolt akkumulátorokat használja. Bármilyen más akkumulátor használata sérüléseket és/vagy tüzet okozhat.

Fűrészlánc, vezetőrúd és lánckerék kombinációja

Fűrészlánc típusa		90PX	
Láncszemek száma		33	40
Vezetőrúd	Láncvezető lap hosszúsága	200 mm	250 mm
	Vágási hossz	180 mm	244 mm
	Osztás	3/8"	
	Mérce	1,1 mm	
	Típus	Fogaskerekes végű láncvezető	
Lánckerék	Fogak száma	6	
	Osztás	3/8"	

Fűrészlánc típusa		91PX	
Láncszemek száma		40	
Vezetőrúd	Láncvezető lap hosszúsága	250 mm	
	Vágási hossz	244 mm	
	Osztás	3/8"	
	Mérce	1,3 mm	
	Típus	Fogaskerekes végű láncvezető	
Lánckerék	Fogak száma	6	
	Osztás	3/8"	

Fűrészlánc típusa		25AP
Láncszemek száma		60
Vezetőrúd	Láncvezető lap hosszúsága	250 mm
	Vágási hossz	250 mm
	Osztás	1/4"
	Mérce	1,3 mm
	Típus	Hajló rúd
Lánckerék	Fogak száma	9
	Osztás	1/4"

MEGJEGYZÉS: A 25AP fűrészlánc használatakor használja a 9-es lánckereket (opcionális tartozék).

FIGYELMEZTETÉS: Megfelelő láncvezető-fűrészlánc párosítást használjon. Ellenkező esetben személyi sérülést szenvedhet.

Szimbólumok

A következőkben a berendezésen használt jelképek láthatók. A szerszám használata előtt bizonyosodjon meg arról hogy helyesen értelmezi a jelentésüket.



Olvassa el a használati utasítást.



Viseljen védőszemüveget.



Viseljen fülvédőt.



Viseljen sisakot, védőszemüveget és fülvédőt.



Viseljen megfelelő védőfelszerelést használjon lábán-lábfejen és kezén-karján.



A fűrészt csak megfelelően képzett kezelők használhatják.



Óvja a készüléket eső és nedvesség hatásától.



A legnagyobb megengedett vágáshossz



Mindig két kézzel működtesse a láncfűrész.



A lánc mozgási iránya



Láncolaj beállítás



Csak EU-tagállamok számára
Az elektromos berendezéseket és akkumulátorukat ne dobja a háztartási szemétkébe! Az Európai Unió használt elektromos és elektronikus berendezésekre vonatkozó irányelvei, illetve az elemekről és akkumulátorokról, valamint a hulladékkezelésről és akkumulátorokról szóló irányelv, továbbá azoknak a nemzeti jogba való átültetése szerint az elhasznált elektromos berendezéseket, elemeket és akkumulátorokat külön kell gyűjteni, és környezetbarát módon kell gondoskodni újrahasznosításukról.

Rendeltetés

A szerszám ágak darabolására és fák metszésére használható. Gallyazásra is alkalmas.

Zaj

A tipikus A-súlyozású zajszint, a IEC62841-4-1 szerint meghatározva:

DUC204 típus

Hangnyomásszint (L_{pA}): 92,2 dB(A)
Hangteljesítményszint (L_{WA}): 103,2 dB (A)
Bizonytalanság (K): 2,5 dB(A)

DUC254 típus

Hangnyomásszint (L_{pA}): 92,2 dB(A)
Hangteljesítményszint (L_{WA}): 103,2 dB (A)
Bizonytalanság (K): 2,5 dB(A)

DUC254C típus

Hangnyomásszint (L_{pA}): 92,2 dB(A)
Hangteljesítményszint (L_{WA}): 103,2 dB (A)
Bizonytalanság (K): 2,5dB(A)

FIGYELMEZTETÉS: Viseljen fülvédőt!

Vibráció

A vibráció teljes értéke (háromtengelyű vektorösszeg) az IEC62841-4-1 szerint meghatározva:

DUC204 típus

Üzem mód: Fa vágása
Rezgéskibocsátás ($a_{h,W}$): 3,1 m/s²
Bizonytalanság (K): 1,5 m/s²

DUC254 típus

Üzem mód: Fa vágása
Rezgéskibocsátás ($a_{h,W}$): 3,1 m/s²
Bizonytalanság (K): 1,5 m/s²

DUC254C típus

Üzem mód: Fa vágása
Rezgéskibocsátás ($a_{h,W}$): 4,1 m/s²
Bizonytalanság (K): 1,5 m/s²

MEGJEGYZÉS: A rezgéskibocsátás értéke a szabványos vizsgálati eljárásnak megfelelően lett mérve, és segítségével az elektromos kéziszerszámok összehasonlíthatók egymással.

MEGJEGYZÉS: A rezgéskibocsátás értékének segítségével előzetesen megbecsülhető a rezgésnek való kitettség mértéke.

▲ FIGYELMEZTETÉS: A szerszám rezgés kibocsátása egy adott alkalmazásnál elérheti a megadott értéktől a használat módjától függően.

▲ FIGYELMEZTETÉS: Határozza meg a kezelő védelmét szolgáló munkavédelmi lépéseket, melyek az adott munkafeltételek melletti vibrációs hatás becslött mértékén alapulnak (figyelembe véve a munkaciklus elemeit, mint például a gép leállításának és üresjáratának mennyiségét az elindítások száma mellett).

EK Megfelelőségi nyilatkozat

Csak európai országokra vonatkozóan

Az EK-megfelelőségi nyilatkozat az útmutató „A” mellékletében található.

BIZTONSÁGI FIGYELMEZTETÉS

A szerszámgépekre vonatkozó általános biztonsági figyelmeztetések

▲ FIGYELMEZTETÉS: Olvassa el a szerszámgéphez mellékelt összes biztonsági figyelmeztetést, utasítást, illusztrációt és a műszaki adatokat. A következőkben leírt utasítások figyelmen kívül hagyása elektromos áramütést, tüzet és/vagy súlyos sérülést eredményezhet.

Őrizzen meg minden figyelmeztetést és utasítást a későbbi tájékozódás érdekében.

A figyelmeztetéseken szereplő "szerszámgép" kifejezés az Ön hálózatról (vezetékes) vagy akkumulátorról (vezeték nélküli) működtetett szerszámgépére vonatkozik.

A vezeték nélküli láncfűrészre vonatkozó biztonsági figyelmeztetések

1. **A láncfűrész működtetésekor tartsa távol testrészeit a fűrészlánctól. Mielőtt beindítaná a láncfűrész, győződjön meg arról, hogy a fűrészlánc nem érintkezik semmivel.** Egy figyelmen kívül hagyás munka közben becsípheti a ruháját vagy valamely testrészét a láncfűrész.
2. **A láncfűrész mindig úgy tartsa, hogy jobb keze a felső fogantyún, bal keze pedig az elsőn legyen.** A szerszámot fordítva tartva nagyobb a személyi sérülés kockázata, ezért így nem szabad használni.
3. **Kizárólag a szigetelt markolási felületeinél fogva tartsa az elektromos szerszámot, mert fennáll a veszélye, hogy a fűrészlánc rejtett vezetékkebe ütközik.** Ha a fűrészlánc áram alatti vezetékkel érintkezik, a szerszám fém alkotórészei is áram alá kerülhetnek, így azok megrázzhatják a kezelőt.

4. **Viseljen védőszemüveget és fülvédőt.** Javasolt további védőfelszerelést használnia fején, kezében, lábában és lábfejein is. A megfelelő védőruha viselete csökkenti a törmelék okozta személyi sérülések kockázatát, illetve a láncfűrészsel való véletlen érintkezés kockázatát is.
5. **Mindig vigyázzon a megfelelő lábartásra.**
6. **Megfeszülő gally vágásakor ügyeljen a visszacsapódásra.** Amikor kioldódik a farostokból, az eséssel meglendült gally megütheti a kezelőt és/vagy a láncfűrész kezelhetetlenné teheti.
7. **Legyen nagyon óvatos ágak és facsemeték vágásakor.** A gyenge anyagba beakadhat és Ön felé verődhet a fűrészlánc, vagy kiránthatja az egyensúlyából.
8. **A láncfűrész az első fogantyúnál tartva, kikapcsolva, és a testétől távol tartva hordja. A láncfűrész szállításához és tárolásához mindig illesse fel a láncvezető burkolatát.** A láncfűrész megfelelő kezelése lecsökkenti a mozgó láncfűrészsel való véletlenszerű érintkezés esélyét.
9. **A szerszám kenésekor, a lánc kifeszítésekor és a tartozékok cseréjekor figyelmesen kövesse az utasításokat.** A nem szakszerűen kifeszített vagy megkent lánc elszakadhat vagy megnövelheti a visszarúgás kockázatát.
10. **A fogantyúkat/karokat tartsa szárazon, tisztán, valamint olaj- és zsímentesen.** A zsíros, olajos fogantyúknak csúszósak, és a kontroll elvesztését okozhat.
11. **Csak fa vágására használja. Ne használja a láncfűrész a rendeltetésétől eltérő módon.** Például: Ne alkalmazza a láncfűrész műanyag, kőművesmunka vagy nem fa építőanyagokra. A láncfűrész nem rendeltetészerű alkalmazása veszélyes helyzetet okozhat.
12. **A visszarúgás okai és annak kezelő megelőzése:**

Visszarúgást okozhat, ha a láncvezető orra vagy hegye egy tárggyal érintkezik, vagy ha a fa lezárul és becsipi a fűrészláncot a vágásba. A hegyvel való érintkezés időnként fordított reakciót idéz elő, felfele és hátra a kezelő felé rugva a láncvezetőt. Ha a fűrészlánc a láncvezető felső részénél csipődik be, ez gyorsan hátrafelé tolhatja a láncvezetőt a kezelő irányába. Ezek a reakciók a fűrész kontrolljának elvesztését okozhatják, amely komoly személyi sérüléssel járhat. Ne fektessen kizárólagos bizalmat a fűrészbe épített biztonsági szerkezetre. Láncfűrész-kezelőként önnek is lépéseket kell tennie a vágási munkálatok balesetmentességének és a sérülések elkerülésének érdekében. A visszarúgás a szerszám helytelen használatának és/vagy a hibás megmunkálási eljárásnak az eredménye, és az alább leírt óvintézkedések betartásával elkerülhető:

- Tartsa erősen, ujjával körülfogva a láncfűrész fogantyúit, két kézzel a fűrészben, és úgy helyezkedjen el, hogy ellenállhasson a visszarúgási erőnek. A visszarúgási erőt a kezelő szabályozhatja, ha megfelelő intézkedéseket tesz. Ne engedje el a láncfűrész.

► Ábra1

- Ne próbáljon nyújtózkodva vágást végrehajtani, és ne vágjon vállmagasság felett. Így megakadályozható a vágólap csúcsának véletlen érintkezése, és a láncfűrész jobban irányítható váratlan helyzetekben is.

- Kizárólag a gyártó által meghatározott láncvezetőt és láncot használjon. A nem megfelelő láncvezető és lánc láncszakadáshoz és visszarugáshoz vezethet.
 - Kövesse a gyártó láncfűrészre vonatkozó élelési és karbantartási utasításait. A mély-ségmérő magasságának csökkentése növelt visszarugást okozhat.
13. **Mielőtt elkezdí a munkát, ellenőrizze, hogy a láncfűrész megfelelő üzemiállapotban van-e és hogy az állapota megfelel-e a munkavédelmi előírásoknak. Ellenőrizze, hogy:**
 - A láncfék megfelelően működik;
 - A leállító fék megfelelően működik;
 - A láncvezető és a lánckerékvédő helyesen vannak felszerelve;
 - A lánc az előírásoknak megfelelően meg van élezve és feszítve.
 14. **Ne indítsa el a láncfűrész, ha a láncvédő burkolat fel van szerelve.** Ha a láncfűrész felszerelt láncvédő burkolattal indítja el, akkor a burkolatot előrefelé ledobhatja magáról, ami személyi és tárgyi sérüléshez vezethet.

Felső fogantyús láncfűrészekre jellemző biztonsági figyelmeztetések

1. **A láncfűrész kifejezetten fák gondozására és vágására tervezték. A láncfűrész csak megfelelően képzett személyek általi használatra szánták. Tartsa be az illetékes szakmai szervezet minden utasítását, eljárását és javaslatát. Máskülönben halálos baleset következhet be. Fákon történő fűrészeléshez mindig javasolt emelkedő platform (emelőkosár, lift) használat. Az ereszkedési technikák rendkívül veszélyesek, és speciális tréninget igényelnek. A kezelőket képezni kell, hogy megismerjék a biztonsági felszerelések használatát és a mászótechnikákat. Mindig használja a megfelelő öveket, köteleket és karabinereket, amikor a fákon dolgozik. Mindig legyen féken tartó készülék a kezelőn és a fűrészben is.**
2. **Tárolás előtt végezze el a tisztítást és karbantartást a használati kézikönyvnek megfelelően.**
3. **Biztosítsa a láncfűrész biztonságos elhelyezését gépjárművel történő szállításkor, hogy elkerülje az üzemanyag vagy a láncolaj szivárgását, a szerszám károsodását és a személyi sérülést.**
4. **Rendszeresen ellenőrizze a láncfék működését.**
5. **Ne tölts be a láncolajat tűz közelében. Soha ne dohányozzon a láncolaj töltése közben.**
6. **Nemzeti szabályozás korlátozhatja a láncfűrész használatát.**
7. **Ha a szerszámot erős ütés éri, illetve leesik, a munka folytatása előtt ellenőrizze annak állapotát. Ellenőrizze, nem hibásodtak-e meg a vezérlők és a biztonsági eszközök. Ha bármilyen károsodást észlel vagy felmerül a károsodás gyanúja, ellenőrzésért és javításért forduljon a hivatalos márkaszervizünkhöz.**
8. **Mindig kapcsolja be a láncfékét a láncfűrész elindítása előtt.**
9. **Tartsa erősen egy helyben a fűrész, hogy elkerülje a fűrész csúszását (kúszó mozgás) vagy ugrálását egy vágás megkezdésekor.**

10. **A vágás végén vigyázzon, hogy megőrizze az egyensúlyát a „leesés” miatt.**
11. **Vegye figyelembe a széli irányát és sebességét. Kerülje a fűrészport és a láncolaj páráját.**

Védőfelszerelés

1. **A fej-, szem-, kéz- és lábsérülések elkerülése, valamint a hallás védelme érdekében a láncfűrész üzemeltetése közben a következő védőfelszereléseket kell használni:**
 - Ruházata legyen megfelelő, azaz legyen szoros, de a mozgást ne akadályozza. Ne viseljen ékszert vagy olyan ruhadarabot, amely beakadhat a bokrokba vagy cserjékbe. Ha hosszú a haja, viseljen hajhálót!
 - A láncfűrészrel való munkához feltétlenül viseljen védősisakot. A **védősisakot** rendszeres időközönként kell ellenőrizni, hogy nincsenek-e rajta sérülések, és legkésőbb 5 év után kell lecserélni. Kizárólag jóváhagyott védősisakot használjon.
 - A védősisak **arcvédője** (vagy a védőszemüveg) véd a fűrészport és a faforgácsok ellen. A láncfűrész működtetése közben mindig viseljen védőszemüveget vagy arcvédőt a szem sérülésének megelőzése érdekében.
 - Viseljen megfelelő **zajvédő felszerelést** (fültok, fül dugó stb.)
 - A **védődzseki** 22 réteg műanyagból áll, és megvédi a kezelőt a vágásoktól. Emelt platformokról (emelőkosár, lift), létrára szerelt platformokról vagy kötéllel mászva történő munkavégzéskor mindig viselni kell.
 - A **mellvédős és vállpántos** overall 22 rétegű műanyagszálból készült, és véd a vágások ellen. Használatát erősen ajánlott.
 - A vastag bőrből készült **védőkesztyűk** az előírt felszerelés részét képezik, és a láncfűrész működtetése közben mindig viselni kell.
 - A láncfűrész működtetése közben mindig viselni kell csúszásgátló talppal, acél ormevittővel és lábszárvédővel ellátott **biztonsági cipőket** vagy **biztonsági csizmákat**. A védőréteggel ellátott munkavédelmi cipők védelmet nyújtanak a vágásokkal szemben, és biztosítják a stabil állóhelyzetet. A fán történő munkavégzés érdekében a biztonsági csizmáknak alkalmasnak kell lenniük a mászási technikákhoz.

Vibráció

1. Elégtelen vérkeringésű egyének esetén, akik túlzott vibrációnak vannak kitéve, sérülhetnek a vérerek vagy az idegrendszer. A vibráció a következő tünetek megjelenését okozhatja az ujjakban, a kézen vagy a csuklón: „Álmosság” (zsibbadtság), bizsergő érzés, fájdalom, szűró fájdalomérzet, a bőr vagy a bőrszín elváltozása. **Ha ezen tünetek bármelyikét észleli önmagán, forduljon orvoshoz!** A „fehér ujj betegség” kockázatának csökkentése érdekében tartsa melegen kezeit a működtetés alatt, és mindig végezze el a gép és tartozékainak karbantartását.

ŐRIZZE MEG EZEKET AZ UTASÍTÁSOKAT.

▲ FIGYELMEZTETÉS: NE HAGYJA, hogy (a termék többszöri használatából eredő) kényelem és megszokás váltsa fel a termék biztonsági előírásainak szigorú betartását. A **HELYTELEN HASZNÁLAT** és a használati útmutatóban szereplő biztonsági előírások megszegése súlyos személyi sérülésekhez vezethet.

Fontos biztonsági utasítások az akkumulátorra vonatkozóan

1. Az akkumulátor használata előtt tanulmányozza át az akkumulátortöltőt (1), az akkumulátoron (2) és az akkumulátorral működtetett terméken (3) olvasható összes utasítást és figyelmeztető jelzést.
2. Ne szerelje szét az akkumulátort.
3. Ha a működési idő nagyon lerövidült, azonnal hagyja abba a használatot. Ez a túlmelegedés, esetleges égések és akár robbanás veszélyével is járhat.
4. Ha elektrolit kerül a szemébe, mossa ki azt tiszta vízzel és azonnal kérjen orvosi segítséget. Ez a látásának elvesztését okozhatja.
5. Ne zárja rövidre az akkumulátort:
 - (1) Ne érjen az érintkezőkhöz elektromosan vezető anyagokkal.
 - (2) Ne tárolja az akkumulátort más fémtárgyakkal, mint pl. szegekkel, érmékkel, stb. egy helyen.
 - (3) Ne tegye ki az akkumulátort víznek vagy esőnek.

Az akkumulátor rövidzárlata nagy áramerősséget, túlmelegedést, égéseket, sőt akár meghibásodást is okozhat.
6. Ne tárolja a szerszámot vagy az akkumulátort olyan helyen, ahol a hőmérséklet elérheti vagy meghaladhatja az 50 °C-ot (122 °F).
7. Ne égesse el az akkumulátort még akkor sem, ha az komolyan megsérült vagy teljesen felhasználódott. Az akkumulátor a tűzben felrobbanhat.
8. Vigyázzon, nehogy leejtse vagy megüsse az akkumulátort.
9. Ne használjon sérült akkumulátort.

10. A készülékben található lítium-ion akkumulátorokra a veszélyes árukkal kapcsolatos előírások vonatkoznak.

A termék pl. harmadik felek, fuvarozó cégek stb. által történő szállítása esetén minden esetben tartsa szem előtt a csomagoláson és a címkén található speciális követelményeket.

A termék szállításra történő felkészítése esetén vegye fel a kapcsolatot egy veszélyes anyagokkal foglalkozó szakemberrel. Kérjük, hogy az esetlegesen szigorúbb nemzeti előírásokat is vegye figyelembe.

Ragassa le a kiálló érintkezőket, illetve oly módon csomagolja be az akkumulátort, hogy az ne tudjon elmozdulni a csomagolásban.

11. Az akkumulátor ártalmatlanításakor tartsa be a helyi előírásokat.
12. Az akkumulátorokat csak a Makita által megjelölt termékekhez használja. Ha az akkumulátorokat azokkal nem kompatibilis termékekbe helyezi, az tűzhez, túlmelegedéshez, robbanáshoz vagy elektrolitszivárgáshoz vezethet.

ŐRIZZE MEG EZEKET AZ UTASÍTÁSOKAT.

▲ VIGYÁZAT: Csak eredeti Makita akkumulátorokat használjon. A nem eredeti Makita akkumulátorok vagy módosított akkumulátorok használata esetén az akkumulátor felrobbanhat, ami tüzet, személyi sérülést és anyagi kárt okozhat. A Makita szerszámra és töltőre vonatkozó Makita garanciát is érvénytelenítheti.

Tippek az akkumulátor maximális élettartamának eléréséhez

1. Töltse fel az akkumulátort, mielőtt teljesen lemerülne. Állítsa le a gépet, és töltsen fel az akkumulátort, ha a gép erejének csökkenését észleli.
2. Soha ne töltsen újra a teljesen feltöltött akkumulátort. A túltöltés csökkenti az akkumulátor élettartamát.
3. Töltse az akkumulátort szobahőmérsékleten, 10 °C - 40 °C (50 °F - 104 °F) között. Töltés előtt hagyja lehűlni a főlforrósodott akkumulátort.
4. Töltsen fel az akkumulátort, ha hosszabb ideje (több mint hat hónapja) nem használta azt.

ALKATRÉSZEK LEÍRÁSA

► Ábra2

1	Kapcsológomb	2	Felső fogantyú	3	Reteskioldó kar
4	Elülső kézvédő	5	Vezetőrúd	6	Fűrészléc
7	Láncfogó	8	Anyacsavar	9	Láncbeállító csavar
10	Forgácsterelő	11	Akkumulátor	12	Főkapcsoló fénye
13	Főkapcsoló	14	Szabályozócsavar (olajszivattyú)	15	Karabiner
16	Elülső fogantyú	17	Olajtartály záró sapkája	18	Láncvezető burkolat

A MŰKÖDÉS LEÍRÁSA

⚠ VIGYÁZAT: Minden esetben ellenőrizze, hogy a szerszám ki van kapcsolva és az akkumulátor eltávolításra került mielőtt beállít vagy ellenőriz valamilyen funkciót a szerszámon.

Az akkumulátor behelyezése és eltávolítása

⚠ VIGYÁZAT: Mindig kapcsolja ki az eszközt, mielőtt behelyezi vagy eltávolítja az akkumulátort.

⚠ VIGYÁZAT: Az akkumulátor behelyezésekor vagy eltávolításakor erősen fogja meg a szerszámot és az akkumulátort. Ha nem fogja erősen a szerszámot és az akkumulátort, azok kicsúszhatnak a kezei közül, ami a szerszám és az akkumulátor károsodásához, de akár személyi sérüléshez is vezethet.

► **Ábra3:** 1. Piros jel 2. Gomb 3. Akkumulátor

Az akkumulátoregység kivételéhez nyomja be az akkumulátoregység elején található gombot, és húzza le a gépről.

Az akkumulátor beszereléséhez illesse az akkumulátor nyelvét a burkolaton található vágatba és csúsztassa a helyére. Egészen addig tolja be, amíg az akkumulátor egy kis kattánással a helyére nem ugrik. Ha látható a piros jel a gomb felső oldalán, akkor a gomb nem kattant be teljesen.

⚠ VIGYÁZAT: Mindig tolja be teljesen az akkumulátort, amíg a piros jel el nem tűnik. Ha ez nem történik meg, akkor az akkumulátor kieshet a szerszámból, és Önnek vagy a környezetében másnak sérülést okozhat.

⚠ VIGYÁZAT: Ne erőltesse az akkumulátort behelyezésre. Ha az akkumulátor nem csúszik be könnyedén, akkor nem megfelelően lett behelyezve.

Az akkumulátor töltöttségének jelzése

Csak állapotjelzős akkumulátorok esetén

► **Ábra4:** 1. Jelzőlámpák 2. Check (ellenőrzés) gomb

Nyomja meg az ellenőrzőgombot, hogy az akkumulátor-töltöttség-jelző megmutassa a hátralévő akkumulátor-kapacitást. Ekkor a töltöttség-szint-jelző lámpák néhány másodpercre kigyulladnak.

Jelzőlámpák			Töltöttségi szint
Világító lámpa	KI	Villogó lámpa	
■	□	▣	75%-tól 100%-ig
■ ■ ■ ■	□	□	50%-tól 75%-ig
■ ■ □ □	□	□	25%-tól 50%-ig
■ □ □ □	□	□	0%-tól 25%-ig
▣ □ □ □	□	□	Töltse fel az akkumulátort.

Jelzőlámpák			Töltöttségi szint
Világító lámpa	KI	Villogó lámpa	
■	□	▣	Lehetséges, hogy az akkumulátor meghibásodott.
■ ■ □ □	□	□	
□ □ ■ ■	□	□	

MEGJEGYZÉS: Az adott munkafeltételektől és a környezet hőmérsékletétől függően a jelzett töltöttségi szint némileg eltérhet a tényleges töltöttségi szinttől.

Szerszám-/akkumulátorvédő rendszer

A gép szerszám-/akkumulátorvédő rendszerrel van felszerelve. A rendszer automatikusan kikapcsolja a motor áramellátását, így megnöveli a szerszám és az akkumulátor élettartamát. A gép használat közben automatikusan leáll, ha a szerszám vagy az akkumulátor a következő állapotok valamelyikébe kerül:

Túlterhelésvédelem

Ha az akkumulátort úgy használják, hogy az rendelkezés nagy áramot vesz fel, a szerszám automatikusan leáll, és a főkapcsoló fénye zölden villogni kezd. Ilyenkor kapcsolja ki a gépet, és fejezze be azt a műveletet, amelyik a túlterhelést okozza. A munka újratekésítéséhez kapcsolja be a gépet.

Túlmelegedés elleni védelem

Ha a szerszám vagy az akkumulátor túlmelegszik, a szerszám automatikusan leáll, és a főkapcsoló fénye pirosan villogni kezd. Ilyenkor hagyja lehűlni a szerszámot és az akkumulátort, mielőtt ismét munkához látna.

MEGJEGYZÉS: Magas hőmérsékletű környezetben valószínűleg működésbe lép a túlmelegedés elleni védelem, és a szerszám automatikusan leáll.

Mélykisütés elleni védelem

Ha az akkumulátor kapacitása nem elegendő, a szerszám automatikusan leáll, és a főkapcsoló fénye pirosan villog. Ebben az esetben vegye ki az akkumulátort a szerszámból, majd tölts fel azt.

Főkapcsoló

⚠ FIGYELMEZTETÉS: Mindig állítsa kikapcsolt állásba a főkapcsolót, ha nem használja a szerszámot.

A szerszám bekapcsolásához tartsa nyomva a főkapcsolót, amíg a főkapcsoló fénye zölden villogni nem kezd. A kikapcsoláshoz nyomja meg ismét a főkapcsolót.

► **Ábra5:** 1. Főkapcsoló fénye 2. Főkapcsoló

MEGJEGYZÉS: A főkapcsoló fénye zölden villog, ha a kapcsológombot működésképtelen körülmények között nyomja meg. A fény az alábbi körülmények egyike esetén villog.

- Ha bekapcsolja a főkapcsolót, miközben a reteszkioldó kart és a kapcsológombot lenyomva tartja.
- Ha benyomja a kapcsológombot, miközben a láncfék fékezi a láncot.
- Ha kioldja a láncfékét, miközben a reteszkioldó kart és a kapcsológombot benyomva tartja.

MEGJEGYZÉS: Ez a láncfűrész automatikus kikapcsolási funkcióval rendelkezik. Hogy elkerülhesse a szerszám véletlen beindítását, a főkapcsoló automatikus leállítja a szerszámot, ha a kapcsológombot megadott ideig nyomva tartja, miután a főkapcsolót bekapcsolta.

Vastag vagy kemény ágak vágásához használhatjuk a szerszámot nyomatékknövelő (Torque Boost) módban. A szerszám nyomatékknövelő módban történő használatához a szerszám kikapcsolt állapotában nyomja meg a főkapcsolót néhány másodpercre, amíg a főkapcsoló fénye sárgán villogítani nem kezd.

MEGJEGYZÉS: A szerszámot maximum 30 másodpercig használhatja nyomatékknövelő módban. A használati körülményektől függően ez a mód kevesebb mint 30 másodpercen belül átáll normál módra.

MEGJEGYZÉS: Ha a főkapcsoló fénye sárgán villog, amikor néhány másodpercre megnyomja a főkapcsolót, a nyomatékknövelő mód nem áll rendelkezésre. Ebben az esetben kövesse az alábbi lépéseket.

- A nyomatékknövelő mód nem áll rendelkezésre közvetlenül a vágási művelet után. Várjon több mint 10 másodpercet, majd nyomja meg újra a főkapcsolót.
- Ha többször használja a nyomatékknövelő módot, a nyomatékknövelő mód használata korlátozásra kerül az akkumulátor védelme érdekében. Ha a nyomatékknövelő mód több mint 10 másodperc várakozás után még mindig nem áll rendelkezésre, cserélje ki az akkumulátort egy teljesen feltöltöttel vagy töltsse fel az akkumulátort.

MEGJEGYZÉS: Ha a főkapcsoló fénye pirosan világít vagy pirosan vagy zölden villog, olvassa el a szerszám-/akkumulátorvédő rendszer utasításait.

MEGJEGYZÉS: A nyomatékknövelő mód nem használható, ha BL1815N, BL1820 vagy BL1820B akkumulátor van telepítve.

A kapcsoló használata

FIGYELMEZTETÉS: Az Ön biztonsága érdekében ez a szerszám egy reteszkioldó karral van felszerelve, amely meggátolja a szerszám véletlen beindulását. SOHA ne használja ezt a szerszámot, ha az akkor is beindul, amikor Ön meghúzza a kapcsológombot, de nem nyomja le a reteszkioldó kart. A további használat ELŐTT vigye a szerszámot javításra egy hivatalos szervizközpontba.

FIGYELMEZTETÉS: SOHA ne ragassza le a reteszkioldó kart, vagy iktassa ki annak működését.

VIGYÁZAT: Mielőtt behelyezi az akkumulátort a szerszámba, mindig ellenőrizze, hogy a kapcsológomb hibátlanul működik és felengedéskor „OFF” állásba áll-e.

MEGJEGYZÉS: Ne húzza túlzott erővel a kapcsológombot, ha nem nyomta be a reteszkioldó kart. Ez a kapcsoló törését okozhatja.

A kapcsológomb véletlen benyomásának elkerüléséről egy reteszkioldó kar gondoskodik. A szerszám bekapcsolásához nyomja le a reteszkioldó kart, majd nyomja meg a kapcsológombot. A gép fordulatszám a kapcsológombra gyakorolt erővel arányosan nő. A megállításhoz engedje el a kapcsológombot.

► **Ábra6:** 1. Kapcsológomb 2. Reteszkioldó kar

A láncfék ellenőrzése

VIGYÁZAT: Bekapcsoláskor mindkét kézzel fogja erősen a láncfűrész. A felső markolatot jobb kézzel, az elülső markolatot pedig a ballal fogja. A láncvezető és a lánc nem érhet semmilyen tárgyhöz.

VIGYÁZAT: Ha fűrészlánc nem áll meg azonnal egy ilyen ellenőrzés során, akkor a fűrész semmilyen körülmények között nem szabad használni. Forduljon hivatalos szakszervizhez.

1. Nyomja le a reteszkioldó kart, majd a kapcsológombot. A fűrészlánc azonnal működésbe lép.
2. Nyomja előre kézfejjével az első kézvédőt. Győződjön meg arról, hogy a fűrészlánc azonnal leállt.
► **Ábra7:** 1. Elülső kézvédő 2. Nyitott pozíció 3. Rögzített pozíció

A leállító fék ellenőrzése

VIGYÁZAT: Ha a fűrészlánc nem áll le a teszt során két másodpercen belül, ne használja tovább a láncfűrész, és forduljon a hivatalos márkaszervizünkhöz.

Indítsa be a láncfűrész, majd azonnal teljesen engedje el a kapcsológombot. A fűrészláncnak két másodpercen belül meg kell állnia.

A lánckenés beállítása

Az olajszivattyú szállítási teljesítménye a szabályzócsavarral állítható be franciakulcs segítségével. Az olajmennyiséget 3 lépésben lehet beállítani.

► **Ábra8:** 1. Beállítócsavar

Karabiner (kötél csatlakozási pontja)

Felakaszthatja a szerszámot, ha kötelet csatlakoztat a karabinerhez. Húzza fel a karabineret, és kösse meg a kötéllal.

Elektronikus funkció

A szerszámot a könnyebb használat érdekében elektronikus funkciókkal szerelték fel.

- Lágyműködés
A lágyműködési funkció minimalizálja az indítási löketet, és simává teszi a szerszám indulását.

ÖSSZESZERELÉS

⚠VIGYÁZAT: Minden esetben ellenőrizze, hogy a szerszám ki van kapcsolva és az akkumulátort levette, mielőtt bármilyen műveletet végez a szerszámon.

⚠VIGYÁZAT: Ne érjen szabad kézzel a fűrészláncához. A fűrészlánc kezelésekor mindig viseljen kesztyűt.

A fűrészlánc eltávolítása és felhelyezése

⚠VIGYÁZAT: A fűrészlánc és a láncvezető közvetlenül a használat után még forró. Hagyja őket lehűlni, mielőtt bármilyen munkát végez a szerszámon.

⚠VIGYÁZAT: A fűrészlánc felhelyezését és eltávolítását tiszta, fűrészportól és hasonló anyagoktól mentes helyen végezze el.

A fűrészlánc eltávolításához hajtsa végre a következő lépéseket:

1. Oldja ki a láncféket az elülső kézvédő meghúzásával.
2. Lazítsa meg a láncheállító csavart, majd az anyacsavart.
► **Ábra9:** 1. Láncheállító csavar 2. Anyacsavar
3. Távolítsa el a lánckerék fedelét, majd vegye le a fűrésztestről a fűrészláncot és a vezetőrudat.

A fűrészlánc felhelyezéséhez hajtsa végre a következő lépéseket:

1. Ellenőrizze a fűrészlánc irányát. Hasonlítsa össze a fűrészlánc irányát a láncfűrész testén lévő jellel.
2. Illessze a fűrészlánc egyik végét a vezetőrúd tetejére.

3. Illessze a fűrészlánc másik végét a lánckerék köré, majd csatlakoztassa a vezetőrudat a láncfűrész testéhez, egy vonalba hozva a vezetőrúd furatát a láncfűrész testén lévő párjaikhoz.

► **Ábra10:** 1. Lánckerék 2. Furat

4. Helyezze a lánckerék fedelén lévő kiemelkedést a láncfűrész testéhez, majd zárja be a fedelet úgy, hogy a láncfűrész testén lévő fejecsavarral és csapok illeszkedjenek a fedélen lévő párjaikhoz.

► **Ábra11:** 1. Kiemelkedés 2. Lánckerék fedele
3. Fejecsavar 4. Csap

5. Húzza meg az anyacsavart, hogy rögzítse a lánckerék fedelét, majd lazítsa ki egy kicsit a feszültség beállításához.

► **Ábra12:** 1. Anyacsavar

A fűrészlánc feszességének beállítása

⚠VIGYÁZAT: Ne húzza túl a fűrészláncot. A túlságosan feszes fűrészlánc elszakadhat, a láncvezető túlzott kopását és a szabályozótárcsa törését okozhatja.

⚠VIGYÁZAT: A túl laza lánc leugorhat a láncvezetőről, ez pedig balesetet okozhat.

Idővel a fűrészlánc meglazulhat. Használat előtt időről időre ellenőrizze a fűrészlánc feszességét.

1. Oldja ki a láncféket az elülső kézvédő meghúzásával.
2. Lazítsa ki egy kicsit az anyacsavart, hogy kissé kilazítsa a lánckerék fedelét.
► **Ábra13:** 1. Anyacsavar

3. Enyhén emelje fel a láncvezetőt, majd állítsa be a láncheállító csavart a fűrészlánc feszességét. Fordítsa a láncheállító csavart az órajárással megegyező irányba, hogy meghúzza, és az órajárással ellenkező irányba, hogy kilazítsa azt.

90PX és 91PX láncheállító esetén:

Szorítsa meg a fűrészláncot, hogy a fűrészlánc alja az ábrán látható módon illeszkedjen a láncvezető sínre.

► **Ábra14:** 1. Vezetőrúd 2. Fűrészlánc 3. Láncheállító csavar

25AP láncheállító esetén:

Szorítsa meg a fűrészláncot úgy, hogy a vezetőrúd alsó részének közepe és a fűrészlánc közötti rész körülbelül 1 mm és 2 mm között legyen.

4. Tartsa enyhén a láncheállító csavart, és húzza meg a lánckerék fedelét.

90PX és 91PX láncheállító esetén:

Győződjön meg arról, hogy a fűrészlánc nem lazult az alsó oldalon.

25AP láncheállító esetén:

Győződjön meg róla, hogy a vezetőrúd alsó részének közepe és a fűrészlánc közötti rész körülbelül 1 mm és 2 mm között van.

5. Húzza meg az anyacsavart, hogy rögzítse a lánckerék fedelét.

► **Ábra15:** 1. Anyacsavar

Győződjön meg arról, hogy a fűrészlánc pontosan illeszkedik a vezető alsó részéhez.

Rönttámasz

Opcionális kiegészítők

Vastag ágak vágásakor ajánlott a rönttámasz használata. A rönttámasz felhelyezéséhez hajtsa végre a következő lépéseket:

1. Távolítsa el a lánckerék fedelét, a fűrészláncot és a láncvezetőt.
2. Hozza egy vonalba a rönttámasz furatait a láncfűrész testén lévő furatokkal, majd húzza meg erősen a csavarokat.

► **Ábra16:** 1. Csavar 2. Rönttámasz

MŰKÖDTETÉS

Kenés

A fűrészlánc kenése a szerszám működése közben automatikusan történik. Rendszeresen ellenőrizze az olajtartály olajsintjét az olajkémlő ablakon keresztül. A tartály újratöltéséhez fektesse a láncfűrésztest oldalára, majd vegye le az olajtartály sapkáját. A megfelelő olajmennyiség 140 ml. A tartály újratöltése után ellenőrizze, hogy a tartálysapkát megfelelően megszorította.

► **Ábra17:** 1. Olajtartály záró sapkája 2. Olajkémlő ablak

Az újratöltés után tartsa el a láncfűrésztest a fától. Indítsa be a szerszámot, és várja meg, hogy a fűrészlánc kenése megfelelővé váljon.

► **Ábra18**

MEGJEGYZÉS: Amikor először tölt be olajat, vagy újra feltölti a tartályt úgy, hogy előtte az teljesen kiürült, a töltőnyak alsó széléig öntse az olajat. Ellenkező esetben az olajtovábbítás romolhat.

MEGJEGYZÉS: Kizárólag Makita láncfűrészekhez való láncolajat, vagy azzal egyenértékű olajat használjon.

MEGJEGYZÉS: Soha ne használjon porral szennyezett vagy illékony olajat.

MEGJEGYZÉS: Fák metszéséhez növényi olajat használjon. Az ásványi olaj károsíthatja a fákat.

MEGJEGYZÉS: A vágási művelet előtt ellenőrizze, hogy az olajtartály sapkája a helyén van-e.

MUNKAVÉGZÉS A LÁNCFŰRÉSSZEL

▲ VIGYÁZAT: Ajánlott, hogy a kezdő felhasználók fűrészbakon vagy fűrészállványon fahasábokat vágva gyakoroljanak.

▲ VIGYÁZAT: A lefűrészelt fa megmunkálásakor gondoskodjon a biztonságos megtámasztásról (fűrészbak vagy fűrészállvány). A fát nem szabad egy másik személynek fognia, és azt lábbal sem szabad „kiékelni”.

▲ VIGYÁZAT: A rönköket rögzíteni kell, nehogy a vágáskor elforogjanak.

▲ VIGYÁZAT: A motor működésekor tartsa távol a testrészeit a fűrészlánctól.

▲ VIGYÁZAT: A motor működésekor a láncfűrésztest erősen fogja mindkét kezével.

▲ VIGYÁZAT: Ne hajoljon előre túlságosan. Mindig megfelelően szilárd helyzetben és egyensúlya megtartásával dolgozzon.

MEGJEGYZÉS: Soha ne dobja el vagy ejtse le a szerszámot.

MEGJEGYZÉS: Ne fedje le a szerszám szellőzőnyílásait.

Fák metszése

Bekapcsolás előtt érintse a láncfűrésztestét a levágandó ághoz. Ellenkező esetben a láncvezető kilenghet, ami a fűrész kezelőjének sérülését okozhatja. Az ágat a láncfűrész súlyának ráengedésével vágja le.

► **Ábra19**

Ha a fát nem tudja egyetlen mozdulattal átvágni: Gyakoroljon finoman nyomást a fogantyúra, folytassa a fűrészrelést, és kicsit húzza vissza a láncfűrésztestet.

► **Ábra20**

Vastag ágak vágásakor készítsen először egy apró alsó vágást, majd végezze el a végső vágást fentről.

► **Ábra21**

Ha alulról próbál meg elválni egy vastag ágat, az ág körülveheti a fűrészláncot, és beszoríthatja a vágásba. Ha felülről próbál meg elválni egy vastag ágat apró alsó vágás nélkül, az ág elhasadhat.

► **Ábra22**

Rönkvágás

1. Helyezze a láncfűrésztestét a vágandó fára.

► **Ábra23**

2. A bekapcsolt fűrészláncsal vágjon bele a fába úgy, hogy a felső markolattal emeli, az elülsővel pedig irányítja a fűrésztestet.

3. Folytassa a vágást úgy, hogy kissé lenyomja az felső markolatot, kicsit visszaengedve a fűrésztestet.

MEGJEGYZÉS: Ha több vágást végez, akkor a vágások közt kapcsolja ki a fűrésztestet.

⚠VIGYÁZAT: Ha a vágáshoz a láncvezető felső életét használja, akkor ha a lánc beszorul, a láncfűrész ön felé vágódhat. Emiatt inkább az alsó éllel vágjon, hogy a fűrész az önnel ellenkező irányba vágódjon.

► **Ábra24**

A megfeszített fát előbb a nyomódó oldalán (A) vágja. Ezután a befejező vágást a megfeszített oldalán (B) végezze. Ezzel meggátolja, hogy a láncvezető beszoruljon.

► **Ábra25**

Gallyazás

⚠VIGYÁZAT: Gallyazást csak erre kiképzett személyek végezhetnek. A visszarúgás lehetősége miatt a művelet veszélyes.

Gallyazáskor támassza meg a láncfűrész tőrzsön, ha lehetséges. Ne vágjon a láncvezető hegyével, mert ekkor a fűrész visszarúghat.

Különösen figyeljen oda a megfeszült ágakra. Ne vágjon olyan ágakat alulról, amelyek nincsenek megtámasztva.

Gallyazáskor ne álljon a kidöntött fatörzsre.

A szerszám szállítása

Mielőtt szállítaná a szerszámot, használja a láncféket és távolítsa el az akkumulátorokat. Ezt követően pedig helyezze fel a láncvezető burkolatát. Az akkumulátorra is tegye rá a fedelét.

- **Ábra26:** 1. Láncvezető burkolat
2. Akkumulátorfedél

KARBANTARTÁS

⚠VIGYÁZAT: Minden esetben ellenőrizze, hogy a szerszám ki van kapcsolva és az akkumulátor eltávolításra került mielőtt átvizsgálja a szerszámot vagy annak karbantartását végzi.

⚠VIGYÁZAT: A szerszám átvizsgálásához vagy karbantartásához mindig vegyen fel védőkesztyűt.

MEGJEGYZÉS: Soha ne használjon gázolajt, benzint, hígítót, alkoholt vagy hasonló anyagokat. Ezek elszineződést, alakvesztést vagy repedést okozhatnak.

A termék BIZTONSÁGÁNAK és MEGBÍZHATÓSÁGÁNAK fenntartása érdekében a javításokat és más karbantartásokat vagy beállításokat a Makita hivatalos vagy gyári szervizközpontjában kell elvégezni, mindig csak Makita cserealkatrészeket használva.

A fűrészlánc élezése

Élezze meg a fűrészláncot, ha:

- Lisztszerű fűrészpor képződik nedves fa vágásakor;
- A lánc nehezen hatol be a fába, még ha erős nyomást alkalmaznak is;
- A vágóélen sérülések láthatók;
- A fűrész balra vagy jobbra húz a fában. (ennek oka a fűrészlánc egyenetlen élezése, vagy az egyik oldal sérülése)

Gyakran élezze a fűrészláncot, de mindig csak kis mértékben. Két-három húzás egy reszelővel általában elegendő a szokásos újraélezéshez. Miután a fűrészláncot többször újraélezte, éleztesse meg egy hivatalos szervizközpontban.

Az élezés feltételei:

⚠FIGYELMEZTETÉS: A vágóél és a mélységmérő közötti túl nagy távolság növeli a visszarúgás kockázatát.

- **Ábra27:** 1. Vágóhossz 2. A vágóél és a mélységmérő közötti távolság 3. Minimális vágóhossz (3 mm)
- A vágóhosszoknak meg kell egyezniük. Az eltérő vágóhosszúak akadályozzák a lánc sima mozgását, valamint a lánc szakadását is okozhatják.
 - Ne élezze a láncot, ha a vágóhossz 3 mm vagy rövidebb. Az ilyen láncokat új láncra kell cserélni.
 - A forgács vastagságát a mélységmérő (kerek nyúlvány) és a vágóél közötti távolság határozza meg.
 - A legjobb eredmény akkor érhető el, ha a vágóél és a mélységmérő közötti távolság a következőképpen alakul.
 - Láncpenge 90PX : 0,65 mm
 - Láncpenge 91PX : 0,65 mm
 - Láncpenge 25AP : 0,65 mm
- **Ábra28**
- Az élezési szögnek állandó, 30°-os értékűnek kell lennie minden vágószem esetében. Ha a vágószögek eltérnek, akkor a lánc futása akadózó és egyenetlen lesz, a kopás megnő, és a lánc elszakadhat.
 - Megfelelően lekerekített reszelőt használjon, hogy ne változzon a fogak dőlésszöge.
 - Láncpenge 90PX : 55°
 - Láncpenge 91PX : 55°
 - Láncpenge 25AP : 55°

Reszelő és a reszelő vezetése

- A fűrészláncok élezéséhez speciális kerek reszelőt (külön rendelhető kiegészítő) használjon. A normál kerek reszelők nem megfelelőek.
- A fűrészláncok kerek reszelőinek átmérője a következőképpen alakulnak:
 - Láncpenge 90PX : 4,5 mm
 - Láncpenge 91PX : 4,0 mm
 - Láncpenge 25AP : 4,0 mm
- A reszelő csak előretoláskor érintkezzen a vágószemmel. Visszahúzáskor emelje fel a reszelőt a vágószemről.

- A legrövidebb vágószemmel kezdje az élezést. Ezután ennek a legrövidebb vágószemnek a hossza válik a mintaméretté a láncfűrész összes többi vágószeméhez.
- A reszelőt az ábrán látható módon vezesse.

► **Ábra29:** 1. Reszelő 2. Fűrészlánc

- A reszelőt könnyebb mozgatni, ha reszelőfogót (opcionális kiegészítő) használ. A reszelőfogón meg van jelölve a helyes, 30°-os élezési szög (a jelzéseket igazítsa a fűrészláncal párhuzamosan) és korlátozva van a behatolási mélység (a reszelő átmérőjének 4/5-ére).

► **Ábra30:** 1. Reszelőfogó

- A lánc megélézése után ellenőrizze a mélységmérő magasságát a láncellenőrző eszközzel (opcionális kiegészítő).

► **Ábra31**

- Távolítsa el az esetleges sorját, bármilyen kevés is legyen az, egy speciális lapos reszelővel (opcionális kiegészítő).
- Újból kerekítse le a mélységmérő elülső részét.

A láncvezető tisztítása

A forgács és a fűrészpor felgyülemlik a láncvezető vájatában. Eltávolíthatják a láncvezető vájátát és akadályozhatják az olajáramlást. Minden élezés vagy lánccsere alkalmával távolítsa el a forgácsot és a fűrészport.

► **Ábra32**

A lánckerék fedelének tisztítása

Forgács és fűrészpor gyülemlik fel a lánckerék fedelében. Vegye le a szerszámról a lánckerék fedelét és a fűrészláncot, majd távolítsa el a forgácsot és a fűrészport.

► **Ábra33**

Az olajleeresztő nyílás megtisztítása

Az olajleeresztő nyílásban por vagy más apró szemcsék halmozódhatnak fel a használat során. A por és a szemcsék ronthatják az olaj áramlását, és a fűrészlánc elégtelen kenését okozhatják. Ha a láncvezető felső részén a láncolaj továbbítása elégtelen, tisztítsa meg az olajleeresztő nyílást a következő módon.

1. Távolítsa el a lánckerék fedelét és a fűrészláncot a szerszámról.
2. Távolítsa el a szállóport és az apró részecskéket egy vékony szárú lapos csavarhúzóval, vagy más megfelelő szerszámmal.

► **Ábra34:** 1. Hornyolt fejű csavarhúzó
2. Olajleeresztő nyílás

3. Helyezze be az akkumulátort a szerszámba. Húzza meg a kapcsológombot a lerakódott por vagy szemcsék eltávolításához az olajleeresztő nyílásból a láncolaj kieresztésével.
4. Vegye ki az akkumulátort a szerszámból. Helyezze vissza a lánckerék fedelét és a fűrészláncot a szerszámba.

A lánckerék cseréje

VIGYÁZAT: Az elkopott lánckerék károsítja az új fűrészláncot. Ebben az esetben cseréltesse ki a lánckereket.

Mielőtt felrakja az új fűrészláncot, ellenőrizze a lánckerék állapotát.

► **Ábra35:** 1. Lánckerék 2. Az elkopó területek

A fogaskerék cseréjekor mindig új zárógyűrűt helyezzen fel.

► **Ábra36:** 1. Zárógyűrű 2. Lánckerék

MEGJEGYZÉS: Győződjön meg arról, hogy a lánckereket az ábrán látható módon helyezte fel.

A szerszám tárolása

1. Tárolás előtt tisztítsa meg a szerszámot. A lánckerék fedelének levétele után távolítsa el a forgácsot és a fűrészport a szerszámról.

2. A szerszámot a tisztítás után működtesse terhelés nélkül, hogy megtörténjen a fűrészlánc és a láncvezető kenése.

3. Fedje le a láncvezetőt a fedelével.

4. Engedje le az olajtartályt.

Utasítások a rendszeres karbantartásra és ápolásra vonatkozóan

A biztonsági berendezések hosszú élettartalmának és megfelelő működésének biztosításához és károsodásuk elkerülésének érdekében az alábbiakban leírt karbantartási munkákat rendszeresen el kell végezni. A garanciaigényeket csak abban az esetben ismerjük el jogosnak, ha ezeket a lépéseket rendszeresen és megfelelően elvégezték. Ezen előírások be nem tartása balesetet okozhat! A láncfűrész használóinak nem szabad olyan karbantartási munkálatokat végezniük, amelyeket a használati utasítás nem ismertet. Az ilyen műveleteket a hivatalos szakszerviznek kell elvégeznie.

Alkatrész / alkalom		Használat előtt	Minden nap	Minden héten	Háromhavonta	Évente	Tárolás előtt
Láncfűrész	Ellenőrzés.	✓	-	-	-	-	-
	Tisztítás.	-	✓	-	-	-	-
	Ellenőriztesse hivatalos szervizközpontban.	-	-	-	-	✓	✓
Fűrészlánc	Ellenőrzés.	✓	-	-	-	-	-
	Szükség esetén élezze meg.	-	-	-	-	-	✓
Vezetőrúd	Ellenőrzés.	✓	✓	-	-	-	-
	Távolítsa el a láncfűrészről.	-	-	-	-	-	✓
Láncfék	Ellenőrizze a működést.	✓	-	-	-	-	-
	Rendszeresen ellenőriztesse hivatalos szervizközpontban.	-	-	-	✓	-	-
A lánc kenése	Ellenőrizze az olajadagolást.	✓	-	-	-	-	-
Kapcsológomb	Ellenőrzés.	✓	-	-	-	-	-
Reteszkiloidó kar	Ellenőrzés.	✓	-	-	-	-	-
Olajtartály záró sapkája	Ellenőrizze a szorosságot.	✓	-	-	-	-	-
Láncfogó	Ellenőrzés.	-	-	✓	-	-	-
Csavarak és anyák	Ellenőrzés.	-	-	✓	-	-	-

HIBAEHÁRÍTÁS

Mielőtt a szervizhez fordulna, először végezzen saját maga is átvizsgálást. Ha olyan problémát talál, amire a kézikönyv nem tartalmaz magyarázatot, ne próbálja meg szétszedni az eszközt. Ehelyett kérjen tanácsot a Makita hivatalos szervizközpontjától, és javításhoz mindig Makita cserealkatrészeket használjon.

Meghibásodás állapota	Ok	Teendő
A láncfűrész nem indul be.	Az akkumulátor nincs a gépben.	Helyezzen be egy feltöltött akkumulátort.
	Akkumulátorprobléma (alacsony feszültség).	Töltse fel az akkumulátort. Ha az újratöltés nem segít, cserélje le az akkumulátort.
	A főkapcsoló ki van kapcsolva.	A láncfűrész automatikusan kikapcsol, ha megadott ideig nem használják. Kapcsolja be újra a főkapcsolót.
A fűrészlánc mozdulatlan.	Be van kapcsolva a láncfék.	Oldja ki a láncféket.
A motor rövid használat után leáll.	Az akkumulátor töltési szintje alacsony.	Töltse fel az akkumulátort. Ha az újratöltés nem segít, cserélje le az akkumulátort.
Nincs olaj a láncon.	Üres az olajtartály.	Töltse fel az olajtartályt.
	Beszennyeződött az olajadagoló horony.	Tisztítsa meg a hornyot.
	Gyenge olajáramlás.	Igazítsa az adagolt olaj mennyiségét a szabályozócsavarral.
A láncfűrész nem éri el a maximális fordulatszámot.	Az akkumulátort helytelenül szerelték be.	Az akkumulátort az útmutató szerint szerelje be.
	Az akkumulátor feszültsége nagy mértékben csökken.	Töltse fel az akkumulátort. Ha az újratöltés nem segít, cserélje le az akkumulátort.
	A meghajtórendszer nem működik megfelelően.	Kérjen javítást a helyi márkaszerviztől.
A főkapcsoló lámpája zölden villog.	A kapcsológombot működésképtelen körülmények között húzták be.	Azután húzza be a kapcsológombot, hogy a főkapcsolót bekapcsolta és a láncféket kiengedte.
A lánc nem áll le a láncfék működtetése ellenére sem: Azonnal állítsa le a gépet!	Elkopott a fékszalag.	Kérjen javítást a helyi márkaszerviztől.
A gép rendellenesen rezeg: Azonnal állítsa le a gépet!	Lazítsa meg a láncvezetőt vagy a fűrészláncot.	Állítsa be a láncvezető és a fűrészlánc feszességét.
	A szerszám meghibásodott.	Kérjen javítást a helyi márkaszerviztől.
A nyomateknövelő mód nem áll rendelkezésre, miután az akkumulátort kicserélték egy teljesen feltöltöttel.	A használati körülményektől függően a nyomateknövelő mód nem áll rendelkezésre az akkumulátor cseréje után.	Használja a szerszámot normál módban, amíg a telepített akkumulátor lemerül, majd cserélje ki az akkumulátort egy teljesen feltöltöttel vagy töltse fel az akkumulátort.

OPCIONÁLIS KIEGÉSZÍTŐK

⚠ VIGYÁZAT: Ezen kiegészítőket és tartozékokat javasoljuk a kézikönyvben ismertetett Makita szerszámhoz. Bármilyen más kiegészítő vagy tartozék használata a személyi sérülés kockázatával jár. A kiegészítőt vagy tartozékokat csak rendeltetészerűen használja.

Ha bármilyen segítségre vagy további információra van szüksége ezekkel a tartozékokkal kapcsolatban, keresse fel a helyi Makita Szervizközpontot.

- Fűrészlánc
- Vezetőrúd
- Láncvezető burkolat
- Lánckerék
- Rönktámasz
- Reszelő
- Szerszámtáska
- Eredeti Makita akkumulátor és töltő

⚠ FIGYELMEZTETÉS: Ha a tartozéktól eltérő méretű láncvezetőt vásárol, vásároljon hozzá egy megfelelő méretű vezetőfedelelet is. Ugy kell illeszkednie a láncfűrész láncvezetőjére, hogy teljesen letakarja azt.

MEGJEGYZÉS: A listán felsorolt néhány kiegészítő megtalálható az eszköz csomagolásában standard kiegészítőként. Ezek országonként eltérőek lehetnek.

TECHNICKÉ ŠPECIFIKÁCIE

Model:		DUC204	DUC254	DUC254C
Celková dĺžka (bez vodiacej lišty)		256 mm		
Menovité napätie		Jednosmerný prúd 18 V		
Čistá hmotnosť		2,8 – 3,3 kg		
Štandardná dĺžka vodiacej lišty		200 mm	250 mm	
Odporúčaná dĺžka vodiacej lišty	s 90PX	200 – 250 mm		–
	s 91PX	–	250 mm	–
	s 25AP	–		250 mm
Použiteľný typ pílovej reťaze (pozri tabuľku nižšie)		90PX	90PX 91PX	25AP
Štandardné reťazové koleso	Počet zubov	6		9
	Stúpanie závitů	3/8"		1/4"
Rýchlosť reťaze		0 – 24 m/s (0 – 1 440 m/min)		0 – 22,5 m/s (0 – 1 350 m/min)
Objem nádrčky na reťazový olej		140 cm ³		

- Vzhľadom k neustálemu výskumu a vývoju podliehajú technické údaje uvedené v tomto dokumente zmenám bez upozornenia.
- Technické údaje sa môžu pre rôzne krajiny líšiť.
- Hmotnosť sa môže líšiť v závislosti od nastavcov vrátane akumulátora. Najľahšia a najťažšia kombinácia v súlade s postupom EPTA 01/2014 je uvedená v tabuľke.

Použiteľné akumulátory

BL1815N / BL1820 / BL1820B / BL1830 / BL1830B / BL1840 / BL1840B / BL1850 / BL1850B / BL1860B

- Niektoré vyššie uvedené akumulátory môžu byť nedostupné v závislosti od miesta vášho bydliska.

VAROVANIE: Používajte iba akumulátory zo zoznamu uvedeného vyššie. Používanie akýchkoľvek iných akumulátorov môže spôsobiť zranenie a/alebo požiar.

Kombinácia pílovej reťaze, vodiacej lišty a reťazového kolesa

Typ pílovej reťaze		90PX	
Počet vodiacich článkov		33	40
Vodiaca lišta	Dĺžka vodiacej lišty	200 mm	250 mm
	Dĺžka rezu	180 mm	244 mm
	Stúpanie závitů	3/8"	
	Rozmer	1,1 mm	
	Typ	Lišta s ozubeným koncom	
Reťazové koleso	Počet zubov	6	
	Stúpanie závitů	3/8"	

Typ pílovej reťaze		91PX	
Počet vodiacich článkov		40	
Vodiaca lišta	Dĺžka vodiacej lišty	250 mm	
	Dĺžka rezu	244 mm	
	Stúpanie závitů	3/8"	
	Rozmer	1,3 mm	
	Typ	Lišta s ozubeným koncom	
Reťazové koleso	Počet zubov	6	
	Stúpanie závitů	3/8"	

Typ pílovej reťaze		25AP
Počet vodiacich článkov		60
Vodiaca lišta	Dĺžka vodiacej lišty	250 mm
	Dĺžka rezu	250 mm
	Stúpanie závitú	1/4"
	Rozmer	1,3 mm
	Typ	Oblúková lišta
Reťazové koleso	Počet zubov	9
	Stúpanie závitú	1/4"

UPOZORNENIE: V prípade pílovej reťaze 25AP použite reťazové koleso 9 (voliteľné príslušenstvo).

VAROVANIE: Použite vhodnú kombináciu vodiacej lišty a pílovej reťaze. V opačnom prípade to môže viesť k zraneniu.

Symbole

Nižšie sú uvedené symboly, s ktorými sa môžete stretnúť pri použití nástroja. Je dôležité, aby ste poznali ich význam, skôr než začnete pracovať.



Prečítajte si návod na obsluhu.



Používajte ochranné okuliare.



Používajte ochranu sluchu.



Používajte prilbu, okuliare a chrániče sluchu.



Používajte primeranú ochranu pre chodidlá-nohy a ruky-ramená.



Túto pílu smú používať len riadne vyškolení operátori.



Nevystavujte účinkom vlhkosti.



Maximálna dovolená dĺžka rezu



Pri práci s reťazovou pílou vždy používajte obe ruky.



Smer pohybu reťaze



Nastavenie množstva oleja pre pílovú reťaz



Len pre štáty EÚ
Nevyhadzujte elektrické zariadenia ani batériu do komunálneho odpadu!
Podľa európskej smernice o nakladaní s použitými elektrickými a elektronickými zariadeniami a smernice o batériách a akumulátoroch a odpadových batériách a akumulátoroch a ich implementovaní v súlade s právnymi predpismi jednotlivých krajín je nutné elektrické zariadenia a batérie po skončení ich životnosti triediť a odovzdať na zberné miesto vykonávajúce environmentálne kompatibilné recyklovanie.

Určené použitie

Nástroj je určený na rezanie konárov a prerezávanie stromov. Je vhodný aj na starostlivosť o stromy.

Hluk

Typická hladina akustického tlaku záťaže A určená podľa štandardu IEC62841-4-1:

Model DUC204

Úroveň akustického tlaku (L_{pA}): 92,2 dB (A)
Úroveň akustického tlaku (L_{wA}): 103,2 dB (A)
Odchýlka (K): 2,5 dB (A)

Model DUC254

Úroveň akustického tlaku (L_{pA}): 92,2 dB (A)
Úroveň akustického tlaku (L_{wA}): 103,2 dB (A)
Odchýlka (K): 2,5 dB (A)

Model DUC254C

Úroveň akustického tlaku (L_{pA}): 92,2 dB (A)
Úroveň akustického tlaku (L_{wA}): 103,2 dB (A)
Odchýlka (K): 2,5 dB (A)

VAROVANIE: Používajte ochranu sluchu.

Vibrácie

Celková hodnota vibrácií (trojosový vektorový súčet) určená podľa štandardu IEC62841-4-1:

Model DUC204

Režim činnosti: rezanie dreva
Emisie vibrácií ($a_{h,w}$): 3,1 m/s²
Odchýlka (K): 1,5 m/s²

Model DUC254

Režim činnosti: rezanie dreva
Emisie vibrácií ($a_{h,w}$): 3,1 m/s²
Odchýlka (K): 1,5 m/s²

Model DUC254C

Režim činnosti: rezanie dreva
Emisie vibrácií ($a_{h,w}$): 4,1 m/s²
Odchýlka (K): 1,5 m/s²

POZNÁMKA: Deklarovaná hodnota emisií vibrácií bola meraná podľa štandardnej skúšobnej metódy a môže sa použiť na porovnanie jedného nástroja s druhým.

POZNÁMKA: Deklarovaná hodnota emisií vibrácií sa môže použiť aj na predbežné posúdenie vystavenia ich účinkom.

VAROVANIE: Emisie vibrácií počas skutočného použitia elektrického nástroja sa môžu odlišovať od deklarovanej hodnoty emisií vibrácií, a to v závislosti od spôsobov používania náradia.

VAROVANIE: Nezabudnite označiť bezpečnostné opatrenia s cieľom chrániť obsluhu, a to tie, ktoré sa zakladajú na odhade vystavenia účinkom v rámci reálnych podmienok používania (berúc do úvahy všetky súčasti prevádzkového cyklu, ako sú doby, kedy je nástroj vypnutý a kedy beží bez zaťaženia, ako dodatok k dobe zapnutia).

Vyhlasenie o zhode ES

Len pre krajiny Európy

Vyhlasenie o zhode ES sa nachádza v prílohe A tohto návodu na obsluhu.

BEZPEČNOSTNÉ VAROVANIA

Všeobecné bezpečnostné predpisy pre elektrické nástroje

VAROVANIE: Preštudujte si všetky bezpečnostné varovania, pokyny, vyobrazenia a technické špecifikácie určené pre tento elektrický nástroj. Pri nedodržaní všetkých nižšie uvedených pokynov môže dôjsť k úrazu elektrickým prúdom, požiaru alebo vážnemu zraneniu.

Všetky výstrahy a pokyny si odložte pre prípad potreby v budúcnosti.

Pojem „elektrický nástroj“ sa vo výstrahách vzťahuje na elektricky napájané elektrické nástroje (s káblom) alebo batériu napájané elektrické nástroje (bez kábla).

Bezpečnostné výstrahy pre akumulátorovú reťazovú pílu

1. **Pri práci s reťazovou pilou sa žiadnou časťou tela nepribližujte k pilovej reťazi. Pred spustením reťazovej pily skontrolujte, či sa pilová reťaz ničoho nedotýka.** Chvilá nepozornosti počas práce s reťazovou pilou môže zapríčiniť zamotanie vášho odevu alebo tela do reťaze pily.
2. **Reťazovú pílu vždy držte pravou rukou za hornú rukoväť a ľavou rukou za prednú rukoväť.** Pri opačnom držaní reťazovej pily sa zvyšuje riziko osobného poranenia, preto sa tak nesmie nikdy držať.
3. **Elektrické náradie držte pri práci len za izolované úchopné povrchy, pretože pilová reťaz sa môže dostať do kontaktu so skrytými vodičmi.** Pilová reťaz, ktorá sa dostane do kontaktu s vodičom pod napätím, môže vystaviť kovové časti elektrického náradia živému prúdu a viesť tak k zasiahnutiu operátora elektrickým prúdom.

4. **Používajte bezpečnostné okuliare a chrániče sluchu.** Odporúča sa používať dodatočné ochranné vybavenie pre hlavu, ruky, nohy a chodidlá. Primeraný ochranný odev znižuje riziko poranení od odletujúcich triesok, prípadne náhodných kontaktov s pilovou reťazou.
5. **Vždy udržiajte stabilný postoj.**
6. **Pri rezaní napnutého konára dávajte pozor na spätný švih.** Pri uvoľnení napätia vo vláknoch dreva môže uvoľnená vetva udrieť operátora a/alebo spôsobiť stratu kontroly nad reťazovou pilou.
7. **Pri rezaní kríkov a porastu buďte obzvlášť opatrní.** Tenké materiály sa môžu zachytiť o reťaz alebo pily a šľahnúť smerom k vám, prípadne spôsobiť stratu rovnováhy.
8. **Reťazovú pílu prenášajte vo vypnutom stave za prednú rukoväť a držte ju prítom od tela. Pri prenášaní alebo pred uskladnením reťazovej pily vždy nasadte kryt vodiacej lišty.** Správne zaobchádzanie s reťazovou pilou znižuje riziko náhodného kontaktu s jej pohybujúcim sa reťazou.
9. **Pri mazaní, nastavovaní napnutia reťaze a výmene príslušenstva postupujte podľa pokynov.** Nesprávne napnutá alebo namazaná reťaz sa môže pretrhnúť alebo zvýšiť riziko spätného nárazu.
10. **Rukoväte udržiavajte suché, čisté, bez znečistenia olejom a mazivom.** Mastné alebo zaolejované rukoväte sú šmykľavé a môžu spôsobiť stratu kontroly.
11. **Režte len drevo. Nepoužívajte reťazovú pílu na iné ako určené účely.** Napríklad: nepoužívajte reťazovú pílu na rezanie plastov, muriva alebo nedrevených stavebných materiálov. Pri používaní reťazovej pily na iné ako stanovené účely by mohlo dôjsť k nebezpečným situáciám.
12. **Príčiny a prevencia vzniku spätného nárazu:** K spätnému nárazu môže dôjsť, keď sa predná časť alebo hrot vodiacej lišty dotkne nejakého objektu alebo keď drevo uzavrie a priškrtí reťaz pily v reze. Pri kontakte hrotu môže v niektorých prípadoch dôjsť k náhlejšej spätnej reakcii a úderu vodiacej lišty nahor a dozadu smerom k operátorovi. Pri priškrtení reťaze pily pozdĺž horného okraja vodiacej lišty môže dôjsť k rýchlemu nadskočeniu vodiacej lišty dozadu smerom k operátorovi. Obe tieto reakcie môžu spôsobiť stratu kontroly nad pilou a následné vážne zranenie. Nespoliehajte sa výhradne na bezpečnostné vybavenie namontované na píle. Ako používateľ reťazovej pily musíte vykonať niekoľko krokov, aby pri rezaní nedošlo k nehode alebo poraneniu. Spätný náraz je dôsledkom nesprávneho používania pily a/alebo nesprávnych prevádzkových postupov alebo podmienok a možno sa mu vyhnúť vykonaním príslušných bezpečnostných opatrení uvedených nižšie:
 - Udržiavajte pevný úchop, pričom palce a prsty obopínajú rukoväte pily, obe ruky sú na píle a ste v postoji tela a polohe rúk, ktoré umožňujú vzdorovať silám spätných nárazov. Operátor môže mať pod kontrolou sily spätných nárazov, ak vykoná príslušné bezpečnostné opatrenia. Reťazovú pílu nepušťajte.

► Obr.1

- Nezasahujte ani nerezte nad úroveň pliec. Tým dopomôžete zabrániť náhodnému kontaktu s hrotom a zabezpečíte si lepšie ovládanie píly v neočakávaných situáciách.
 - Používajte výhradne náhradné lišty a reťaze, ktoré uvádza výrobca. Nesprávne náhradné lišty a reťaze môžu spôsobiť pretrhnutie reťaze a/alebo spätný náraz.
 - Pri ostrení a údržbe dodržiavajte pokyny výrobcu pre reťazovú pílu. Pri zmenšení výšky hĺbkového dorazu sa môže zvýšiť riziko spätného nárazu.
13. **Pred začatím práce skontrolujte, či je reťazová píla v správnom prevádzkovom stave a či tento stav spĺňa bezpečnostné predpisy. Skontrolujte najmä to, či:**
- brzda reťaze funguje správne;
 - zastavovacia brzda funguje správne;
 - lišta a kryt reťazového kolesa sú správne upevnené;
 - reťaz bola naostrená a napnutá podľa predpisov.
14. **Nespúšťajte reťazovú pílu s nainštalovaným krytom reťaze.** Spustenie reťazovej píly s nainštalovaným krytom reťaze môže spôsobiť jeho odhodenie dopredu s dôsledkom osobných poranení a poškodenia objektov okolo operátora.

Bezpečnostné varovania pre reťazovú pílu s hornou rukoväťou

1. Táto reťazová píla je určená najmä na starostlivosť o stromy a prerezávanie stromov. Túto reťazovú pílu smú používať len riadne vyškolené osoby. Dodržujte všetky pokyny, postupy a odporúčania príslušnej profesijnej organizácie. V opačnom prípade môže dôjsť k smrteľným nehodám. Na rezanie v stromoch vždy odporúčame používať vysokozdvížnu plošinu (na oberanie ovocia a pod.). Techniky lezenia s istením lanom sú výnimočne nebezpečné a vyžadujú špeciálny výcvik. Operátori musia byť vyškolení na oboznámenie sa s bezpečným používaním vybavenia a technikami lezenia. Pri práci v stromoch vždy používajte vhodné remene, laná a karabíny. Vždy používajte zaisťovacie vybavenie pre operátora aj pílu.
2. Pred uskladnením vykonajte čistenie a údržbu v súlade s týmto návodom na obsluhu.
3. Zaisťte bezpečné umiestnenie reťazovej píly počas prepravy autom, aby sa zabránilo úniku paliva alebo reťazového oleja, poškodeniu nástroja a zraneniu osôb.
4. Pravidelne kontrolujte funkčnosť brzdy reťaze.
5. Nenalievajte reťazový olej v blízkosti ohňa. Pri nalievaní reťazového oleja nikdy nefajčíte.
6. Miestne predpisy môžu obmedzovať používanie reťazovej píly.
7. Ak bude zariadenie vystavené silnému nárazu alebo ak spadne, pred pokračovaním v práci skontrolujte jeho stav. Skontrolujte funkčnosť ovládacích prvkov a bezpečnostných zariadení. V prípade poškodenia alebo v prípade pochybností požiadajte naše autorizované servisné stredisko o vykonanie kontroly a opravy.

8. **Pred spustením reťazovej píly vždy aktivujte brzdu reťaze.**
9. **Pílu držte pevne, aby sa zabránilo pokľznutiu (šmykovému pohybu) alebo odrazeniu píly pri začatí rezu.**
10. **Na konci rezu buďte opatrní, aby ste udržali rovnováhu z dôvodu odpadnutia dreva.**
11. **Berte do úvahy smer a rýchlosť vetra. Vyhýbajte sa tvorbe prúdu pilín a hmly z reťazového oleja.**

Ochranné pomôcky

1. **V záujme predchádzania zraneniam hlavy, očí, rúk alebo nôh, ale tiež na ochranu sluchu sa počas prevádzky reťazovej píly musia používať tieto ochranné pomôcky:**
- Oblečenie musí byť vhodné, t. j. priliehavé, nesmie však obmedzovať v pohybe. Nenoste šperky ani odev, ktorý by sa mohol zachytiť do kríkov alebo krovia. Ak máte dlhé vlasy, vždy noste sieťku na vlasy!
 - Pri práci s reťazovou pílou je vždy potrebné nosiť ochrannú prilbu. V pravidelných intervaloch treba kontrolovať, či **ochranná prilba** nie je poškodená, a minimálne každých 5 rokov ju treba vymeniť. Používajte len schválené ochranné prilby.
 - **Tvárový štít** ochrannej prilby (alebo ochranné okuliare) chráni pred pilinami a kúskami dreva. Počas práce s reťazovou pílou vždy noste ochranné okuliare alebo tvárový štít na zabránenie poranenia očí.
 - Noste vhodné **zariadenie na ochranu pred hlučnosťou** (tlmiče na uši, štuple do uší a pod.)
 - **Ochranný plášť** pozostáva z 22 vrstiev nylonu a chráni operátora pred porezaním. Je nutné ho vždy nosiť pri práci na vysokozdvížných plošinách (na oberanie ovocia a pod.), na plošinách upevnených na rebríku alebo pri lezení s lanami.
 - **Ochranný overal s golierom a chráničom hrudníka** je zhotovený z nylonovej látky s 22 vrstvami a chráni pred porezaním. Dôrazne odporúčame používať ho.
 - **Ochranné rukavice** vyrobené z hrubej kože sú súčasťou predpísaného vybavenia a počas práce s reťazovou pílou je bezpodmienečne nutné mať ich nasadené.
 - Počas práce s reťazovou pílou musí mať operátor vždy obuté **bezpečnostné topánky** alebo **bezpečnostné čizmy** s protišmykovou podrážkou, oceľovými špičkami a ochranou nohy. Bezpečnostná obuv vybavená ochrannou vrstvou poskytuje ochranu pred porezaním a zaisťuje bezpečný postoj. Pri práci v stromoch musí byť bezpečnostná obuv vhodná na techniky lezenia.

Vibrácie

1. U osôb s nedostatočným prúdením krvi vystavených nadmerným vibráciám môže dôjsť k poškodeniu ciev alebo nervového systému. Vibrácie môžu spôsobiť výskyt týchto príznakov v prstoch, rukách alebo zápästiach: „nemožnosť pohybu“ (z necitlivosti), trpnutie, bolesť, pocit pichania, zmena sfarbenia pokožky alebo zmena pokožky.

Ak sa vyskytne niektorý z týchto príznakov, navštívte lekára! Na zníženie rizika „choroby bielych prstov“ majte počas obsluhy zariadenia ruky v teple a zariadenie a príslušenstvo udržiavajte v dobrom stave.

TIETO POKYNY USCHOVAJTE.

VAROVANIE: NIKDY nepripustíte, aby sebavedomie a dobrá znalosť výrobku (získané opakovaným používaním) nahradili presné dodržiavanie bezpečnostných pravidiel pre nariadenie. **NESPRÁVNE POUŽÍVANIE** alebo nedodržiavanie bezpečnostných zásad uvedených v tomto návode môže viesť k vážnemu zraneniu.

Dôležité bezpečnostné a prevádzkové pokyny pre akumulátor

1. Pred použitím akumulátora si prečítajte všetky pokyny a výstražné označenia na (1) nabíjačke akumulátorov, (2) akumulátore a (3) produkte používajúcom akumulátor.
2. Akumulátor nerozoberajte.
3. Ak sa doba prevádzky príliš skráti, ihneď prerušte prácu. Môže nastať riziko prehriatia, možných popálením či dokonca explózie.
4. V prípade zasiahnutia očí elektrolytom ich vypláchnite čistou vodou a okamžite vyhľadajte lekársku pomoc. Môže dôjsť k strate zraku.
5. Akumulátor neskratujte:
 - (1) Nedotýkajte sa konektorov žiadnym vodivým materiálom.
 - (2) Neskladujte akumulátor v obale s inými kovovými predmetmi, napríklad klincami, mincami a pod.
 - (3) Akumulátor nevystavujte vode ani dažďu. Skrat akumulátora môže spôsobiť veľký tok prúdu, prehriatie, možné popáleniny či dokonca poruchu.
6. Neskladujte nástroj ani akumulátor na miestach s teplotou presahujúcou 50 °C (122 °F).
7. Akumulátor nespálujte, ani keď je vážne poškodený alebo úplne opotrebovaný. Akumulátor môže v ohni explodovať.

8. Dávajte pozor, aby akumulátor nespadol, a nevystavujte ho nárazom.
9. Nepoužívajte poškodený akumulátor.
10. Litium-iónové akumulátory, ktoré sú súčasťou náradia, podliehajú požiadavkám legislatívy o nebezpečnom tovare.

V prípade obchodnej prepravy, napr. dodanie tretími stranami či špeditériami, sa musia dodržiavať špeciálne požiadavky na zabalenie a označenie. Pred prípravou položky na odoslanie sa vyžaduje konzultácia s odborníkom na nebezpečný materiál. Taktiež treba dodržiavať potenciálne podrobnejšie predpisy príslušnej krajiny. Prelepte alebo zakryte otvorené kontakty a zabalte akumulátor tak, aby sa v balíku nemohol voľne pohybovať.

11. Akumulátor zlikvidujte v súlade s miestnymi nariadeniami.
12. Akumulátory používajte iba s výrobkami uvedenými spoločnosťou Makita. Inštalácia akumulátorov do nevyhovujúcich výrobkov môže spôsobiť požiar, nadmerné teplo, výbuch alebo únik elektrolytov.

TIETO POKYNY USCHOVAJTE.

POZOR: Používajte len originálne akumulátory od spoločnosti Makita. Používanie batérií, ktoré nie sú od spoločnosti Makita, alebo upravených batérií môže spôsobiť výbuch batérie a následný požiar, zranenie osôb alebo poškodeniu majetku. Následkom bude aj zrušenie záruky od spoločnosti Makita na nástroj a nabíjačku od spoločnosti Makita.

Rady na udržanie maximálnej životnosti akumulátora

1. Akumulátor nabíjajte ešte predtým, ako sa úplne vybije. Vždy prerušte prácu s nástrojom a nabíjajte akumulátor, keď spozorujete nižší výkon nástroja.
2. Nikdy nenabíjajte plne nabitý akumulátor. Prebíjanie skracuje životnosť akumulátora.
3. Akumulátor nabíjajte pri izbovej teplote 10 °C – 40 °C (50 °F – 104 °F). Pred nabíjaním nechajte horúci akumulátor vychladnúť.
4. Litium-iónový akumulátor nabíjajte, ak ste ho nepoužívali dlhšie ako šesť mesiacov.

POPIS SÚČASTÍ

► Obr.2

1	Spúšťací spínač	2	Horná rukoväť	3	Poistná páčka
4	Kryt prednej rukoväte	5	Vodiaca lišta	6	Pilová reťaz
7	Zachytávač reťaze	8	Upevňovacia matica	9	Nastavovacia skrutka reťaze
10	Vodidlo na odrážanie kúskov dreva	11	Akumulátor	12	Indikátor napájania
13	Hlavný vypínač	14	Nastavovacia skrutka (pre olejové čerpadlo)	15	Karabína
16	Predná rukoväť	17	Veko olejovej nádržky	18	Kryt vodiacej lišty

OPIS FUNKCIÍ

⚠️ POZOR: Pred úpravou alebo kontrolou funkčnosti nástroja vždy skontrolujte, či je nástroj vypnutý a akumulátor je vybratý.

Inštalácia alebo demontáž akumulátora

⚠️ POZOR: Pred inštaláciou alebo vybratím akumulátora nástroj vždy vypnite.

⚠️ POZOR: Pri inštalovaní a vyberaní akumulátora pevne uchopíte nástroj a akumulátor. Ak nástroj a akumulátor pevne neuchopíte, môže to mať za následok vyšmyknutie z vašich rúk s dôsledkom poškodenia nástroja a akumulátora, ako aj osobných poranení.

- Obr.3: 1. Červený indikátor 2. Tlačidlo
3. Akumulátor

Ak chcete vybrať akumulátor, vysuňte ho z nástroja, pričom posuňte tlačidlo na prednej strane akumulátora.

Akumulátor vložte tak, že jazýček akumulátora zarovnáte s drážkou v kryte a zasuniete ho na miesto. Zatlačte ho úplne, kým zakliknutím nezapadne na miesto. Ak vidíte červený indikátor na hornej strane tlačidla, nie je správne zapadnutý.

⚠️ POZOR: Akumulátor vždy nainštalujte úplne, až kým nie je vidieť červený indikátor. V opačnom prípade môže náhodne vypadnúť z nástroja a ublížiť vám alebo osobám v okolí.

⚠️ POZOR: Pri inštalovaní akumulátora nepoužívajte silu. Ak sa akumulátor nedá zasunúť ľahko, nevkladáte ho správne.

Indikácia zvyšnej kapacity akumulátora

Len na akumulátory s indikátorom

- Obr.4: 1. Indikátory 2. Tlačidlo kontroly

Stlačením tlačidla kontroly na akumulátore zobrazíte zostávajúcu kapacitu akumulátora. Indikátory sa na niekoľko sekúnd rozsvietia.

Indikátory			Zostávajúca kapacita
Svieti	Nesvieti	Bliká	
■	□	▬	75 % až 100 %
■ ■ ■ ■			
■ ■ ■ □			50 % až 75 %
■ ■ □ □			25 % až 50 %
■ □ □ □			0 % až 25 %
▬ □ □ □			Akumulátor nabite.
■ ■ □ □			Akumulátor je možno chybný.
□ □ ■ ■			

POZNÁMKA: V závislosti od podmienok používania a v závislosti od okolitej teploty sa môže zobrazenie mierne odlišovať od skutočnej kapacity.

Systém na ochranu nástroja/akumulátora

Nástroj je vybavený systémom ochrany nástroja/akumulátora. Tento systém automaticky vypne napájanie motora s cieľom predžiť životnosť nástroja a akumulátora. Nástroj sa počas prevádzky automaticky zastaví v prípade, ak sa nástroj alebo akumulátor dostanú do jedného z nasledujúcich stavov:

Ochrana proti preťaženiu

Keď sa akumulátor používa spôsobom, ktorý spôsobuje nadmerný odber prúdu, náradie sa automaticky zastaví a indikátor napájania bude blikať nazeleno. V tejto situácii vypnite nástroj a ukončite prácu, ktorá spôsobuje jeho preťažovanie. Potom nástroj zapnutím znova spustíte.

Ochrana pred prehrievaním

Ak je nástroj alebo akumulátor prehriaty, nástroj sa automaticky zastaví a indikátor napájania bude svietiť načerveno. V takomto prípade nechajte nástroj a akumulátor pred opätovným spustením vychladnúť.

POZNÁMKA: V prostredí s vysokou teplotou sa pravdepodobne aktivuje ochrana proti prehriatiu a nástroj sa automaticky zastaví.

Ochrana pred nadmerným vybitím

Keď je kapacita akumulátora nedostatočná, nástroj sa automaticky vypne a indikátor napájania bude blikať načerveno. V takom prípade vyberte akumulátor z nástroja a nabite ho.

Hlavný vypínač

⚠️ VAROVANIE: Ak sa náradie nepoužíva, hlavný vypínač treba vždy vypnúť.

Ak chcete nástroj zapnúť, držte stlačený hlavný vypínač, kým indikátor napájania nebude svietiť nazeleno. Opätovným stlačením hlavného vypínača pílu vypnete.

- Obr.5: 1. Indikátor napájania 2. Hlavný vypínač

POZNÁMKA: Indikátor napájania blikať nazeleno, ak spúšťací spínač vytiahnete pri neprevádzkovom stave. Indikátor blikať, keď platí jedna z nasledujúcich podmienok.

- Keď zapnete hlavný vypínač a súčasne držíte poistnú páčku a spúšťací spínač.
- Keď vytiahnete spúšťací spínač, pričom je aplikovaná brzda reťaze.
- Keď uvoľníte brzdú reťaze, pričom držíte poistnú páčku a stláčate spúšťací spínač.

POZNÁMKA: Táto reťazová píla má funkciu automatického vypnutia. Aby sa zabránilo neúmyselnému spusteniu, hlavný vypínač sa automaticky vypne, ak po určitej dobe od zapnutia hlavného vypínača nevytiahnete spúšťací spínač.

Nástroj môžete používať v režime zvýšeného krútiaceho momentu na rezanie hrubých alebo ťažkých konárov. Ak chcete nástroj používať v režime zvýšeného krútiaceho momentu, keď je vypnutý, stlačte hlavný vypínač na niekoľko sekúnd, kým indikátor napájania nebude svietiť nažltlo.

POZNÁMKA: Nástroj môžete používať v režime zvýšeného krútiaceho momentu max. 30 sekúnd. V závislosti od podmienok používania sa tento režim prepne do normálneho režimu za menej ako 30 sekúnd.

POZNÁMKA: Ak po stlačení hlavného vypínača na niekoľko sekúnd indikátor napájania bliká nažltlo, režim zvýšeného krútiaceho momentu nie je k dispozícii. V takomto prípade postupujte podľa nasledujúcich krokov.

- Režim zvýšeného krútiaceho momentu nie je k dispozícii ihneď po dokončení rezania. Počkajte aspoň 10 sekúnd a potom znova stlačte hlavný vypínač.
- Ak režim zvýšeného krútiaceho momentu použijete viackrát, jeho použitie sa obmedzí s cieľom ochrany batérie. Ak režim zvýšeného krútiaceho momentu nie je k dispozícii ani po viac než 10 sekundách, vymeňte akumulátor za úplne nabitý alebo nabite aktuálny akumulátor.

POZNÁMKA: Ak indikátor napájania svieti načerveno alebo bliká načerveno alebo nazeleno, pozrite si pokyny pre systém na ochranu nástroja/akumulátora.

POZNÁMKA: Režim zvýšeného krútiaceho momentu sa nedá používať s akumulátormi BL1815N, BL1820 a BL1820B.

Zapínanie

VAROVANIE: Pre vašu bezpečnosť je náradie vybavené poistnou páčkou, ktorá bráni neúmyselnému spusteniu náradia. Náradie NIKDY nepoužívajte, ak ste ho do prevádzky uviedli len potiahnutím spúšťacieho spínača a nestlačili pritom poistnú páčku. PRED ďalším použitím vráťte náradie do autorizovaného servisného strediska, kde ho dôkladne opravia.

VAROVANIE: NIKDY nezrušte účel ani funkciu poistnej páčky.

POZOR: Pred vložením akumulátora do nástroja sa vždy presvedčite, či spúšťací spínač funguje správne a po uvoľnení sa vráti do pozície „OFF“.

UPOZORNENIE: Spúšťací spínač potiahnite len so súčasným stlačením poistnej páčky. V opačnom prípade sa môže zlomiť spínač.

Spúšťací spínač je pred náhodným potiahnutím chránený poistnou páčkou. Ak chcete spustiť nástroj, zatlačte poistnú páčku a potiahnite spúšťací spínač. Otáčky nástroja sa zvyšujú zvyšovaním tlaku na spúšťací spínač. Nástroj zastavíte uvoľnením spúšťacieho spínača.

► **Obr.6:** 1. Spúšťací spínač 2. Poistná páčka

Kontrola brzdy reťaze

POZOR: Pri spúšťaní držte pílu obidvomi rukami. Pravou rukou držte hornú rukoväť, ľavou prednú rukoväť. Tyč ani reťaz sa nesmú ničoho dotýkať.

POZOR: Ak sa pri tejto skúške reťaz okamžite nezastaví, pílu nesmiete za žiadnych okolností používať. Poradte sa s autorizovaným servisným strediskom.

1. Stlačte poistnú páčku, potom vyťahnite spúšťací spínač. Píla sa okamžite spustí.
 2. Zadnou stranou ruky zatlačte predný chránič rúk dopredu. Skontrolujte, či sa reťazová píla okamžite zastaví.
- **Obr.7:** 1. Kryt prednej rukoväte 2. Odistená poloha 3. Uzamknutá poloha

Kontrola zastavovacej brzdy

POZOR: Ak sa pilová reťaz pri tejto skúške nezastaví v priebehu dvoch sekúnd, reťazovú pílu prestaňte používať a kontaktujte autorizované servisné stredisko.

Spustite reťazovú pílu a potom úplne uvoľnite spúšťací spínač. Pilová reťaz sa musí zastaviť do dvoch sekúnd.

Nastavenie mazania reťaze

Rýchlosť dávkovania olejového čerpadla môžete nastaviť pomocou nastavovacej skrutky a univerzálneho kľúča. Množstvo oleja možno nastaviť v 3 krokoch.

► **Obr.8:** 1. Nastavovacia skrutka

Karabína (bod pripevnenia lana)

Nástroj môžete zavesiť upevnením lana ku karabíne. Vyťahnite karabínu a uviažte ju s lanom.

Elektronické funkcie

Nástroj je kvôli jednoduchšej obsluhu vybavený elektronickými funkciami.

- Pozvoľný rozbeh
Funkcia pozvoľného rozbehu minimalizuje štartovací otras a umožňuje hladké spustenie nástroja.

ZOSTAVENIE

POZOR: Pred vykonaním akejkoľvek práce na nástroji vždy skontrolujte, či je nástroj vypnutý a akumulátor je vybratý.

POZOR: Reťaze píly sa nedotýkajte holými rukami. Pri manipulácii s reťazou píly vždy používajte rukavice.

Demontáž alebo inštalácia reťaze pily

▲POZOR: Reťaz pily aj vodiaca lišta sú po prevádzke horúce. Pred vykonávaním akejkoľvek činnosti na náradí ich nechajte dostatočne vychladnúť.

▲POZOR: Postup inštalácie alebo demontáže píllovej reťaze vykonávajte na čistom mieste bez výskytu pilín a podobných materiálov.

Reťaz pily demontujte podľa nasledovných krokov:

1. Uvoľnite brzdú reťaze potiahnutím predného chrániča rúk.
2. Uvoľnite nastavovaciu skrutku reťaze, potom upevňovaciu maticu.
► **Obr.9:** 1. Nastavovacia skrutka reťaze
2. Upevňovacia matica
3. Odstráňte kryt reťazového kolesa a potom z tela reťazovej pily odstráňte reťaz pily a vodiacu lištu.

Pílovú reťaz nainštalujte nasledovne:

1. Skontrolujte smer pílovej reťaze. Dbajte na to, aby smer pílovej reťaze zodpovedal značke na tele reťazovej pily.
2. Jeden koniec pílovej reťaze založte na špičku vodiacej lišty.
3. Druhý koniec pílovej reťaze nasadte okolo reťazového kolesa, potom vodiacu lištu upevnite k telu reťazovej pily tak, aby otvor na vodiacej lište bol zarovnaný s kolíkom na tele reťazovej pily.
► **Obr.10:** 1. Reťazové koleso 2. Otvor
4. Vložte výčnelok na kryte reťazového kolesa do tela reťazovej pily a potom zatvorte kryt tak, aby skrutka a kolíky na tele reťazovej pily boli na svojich náprotivkoch na kryte.
► **Obr.11:** 1. Výčnelok 2. Kryt reťazového kolesa
3. Skrutka 4. Kolík
5. Uťahnite upevňovaciu maticu na upevnenie krytu reťazového kolesa, potom ju mierne uvoľnite na nastavenie napnutia.
► **Obr.12:** 1. Upevňovacia matica

Nastavenie napätia pílovej reťaze

▲POZOR: Pílovú reťaz neutahujte nadmerne. Nadmerné napätie pílovej reťaze môže spôsobiť, že sa pílová reťaz poruší, opotrebuje sa vodiaca lišta a poruší sa nastavovací číselník.

▲POZOR: Príliš voľná reťaz môže vyskočiť z lišty, čo predstavuje riziko úrazu.

Po mnohých hodinách používania sa môže reťaz uvoľniť. Občas pred použitím skontrolujte napätie pílovej reťaze.

1. Uvoľnite brzdú reťaze potiahnutím predného chrániča rúk.
2. Upevňovaciu maticu mierne uvoľnite, čím mierne uvoľníte kryt reťazového kolesa.
► **Obr.13:** 1. Upevňovacia matica

3. Mierne nadvihnite hrot vodiacej lišty a nastavte napnutie reťaze. Otočením nastavovacej skrutky reťaze v smere hodinových ručičiek utiahnete, otočením proti smeru hodinových ručičiek povolíte.

Pre čepeľ reťaze 90PX a 91PX:

Uťahujte pílovú reťaz, kým jej spodná strana nezapadne do kolajničky vodiacej lišty (pozri obrázok).

- **Obr.14:** 1. Vodiaca lišta 2. Pílová reťaz
3. Nastavovacia skrutka reťaze

Pre čepeľ reťaze 25AP:

Uťahnite pílovú reťaz tak, aby medzera medzi stredom dolnej strany vodiacej lišty a pílovou reťazou bola približne 1 mm až 2 mm.

4. Vodiacu lištu naďalej zľahka pridržiavajte a utiahnite kryt reťazového kolesa.

Pre čepeľ reťaze 90PX a 91PX:

Skontrolujte, či pílová reťaz nie je v spodnej časti uvoľnená.

Pre čepeľ reťaze 25AP:

Uistite sa, že medzera medzi stredom dolnej strany vodiacej lišty a pílovou reťazou je približne 1 mm až 2 mm.

5. Uťahnite upevňovaciu maticu, čím zaistíte kryt reťazového kolesa.

- **Obr.15:** 1. Upevňovacia matica

Skontrolujte, či pílová reťaz príliehavo zapadá do spodnej strany lišty.

Klinový tmič

Voliteľné prislúšenstvo

Pri rezaní hrubých konárov sa odporúča používať klinový tmič. Klinový tmič nainštalujte nasledovným postupom:

1. Odstráňte kryt reťazového kolesa, pílovú reťaz a vodiacu lištu.
2. Zarovnajete otvory klinového tmiča s otvormi na tele reťazovej pily a potom pevne utiahnite skrutky.
► **Obr.16:** 1. Skrutka 2. Klinový tmič

PREVÁDZKA

Mazanie

Pílová reťaz sa počas činnosti náradia automaticky maže. Množstvo zostávajúceho oleja v olejovej nádržke pravidelne kontrolujte cez okienko na kontrolu množstva oleja.

Na doplnenie nádržky položte reťazovú pílu nabok a odstráňte veko olejovej nádržky. Správne množstvo oleja predstavuje 140 ml. Po doplnení nádržky skontrolujte, či je veko olejovej nádržky pevne utiahnuté.

- **Obr.17:** 1. Veko olejovej nádržky 2. Okienko na kontrolu množstva oleja

Po doplnení držte reťazovú pílu ďalej od stromu. Spustíte ju a počkajte, kým dôjde k dostatočnému namazaniu pílovej reťaze.

- **Obr.18**

UPOZORNENIE: Pri prvom plnení oleja do píly alebo pri dopĺňaní nádržky po úplnom vyprázdnení doplňte olej až po spodnú hranu hrdla lievika. Prívod oleja môže byť v opačnom prípade narušený.

UPOZORNENIE: Používajte olej pílovej reťaze určený výhradne pre reťazové píly značky Makita alebo podobný olej dostupný na trhu.

UPOZORNENIE: Nikdy nepoužívajte olej obsahujúci prášok a čističky alebo prchavý olej.

UPOZORNENIE: Pri prerezávaní stromov používajte botanický olej. Minerálny olej môže poškodiť stromy.

UPOZORNENIE: Pred rezaním vždy skontrolujte, či je príslušné veko olejovej nádržky dobre zaskrutkované.

PRÁCA S REŤAZOVOU PÍLOU

▲POZOR: Používatelia, ktorí s náradím doteraz nepracovali, musia v rámci minimálneho zaučenia vykonať rez guľatiny na koze určenej na rezanie dreva alebo na stojane.

▲POZOR: Pri pílení predtým narezaného dreva použijete bezpečnú podporu (kôzu alebo stojan na rezanie). Neprikrádzajte obrobok nohou a nedovoľte iným osobám, aby ho držali či pridržovali.

▲POZOR: Okrúhle obrobky zaistíte proti otáčaniu.

▲POZOR: Ak je motor píly v prevádzke, nepribližujte sa telom k pílovej reťazi.

▲POZOR: Ak je motor v prevádzke, pílu držte pevne obidvomí rukami.

▲POZOR: Pri práci sa nenatáhujte do diaľky. Udržujte vždy správny postoj a rovnováhu.

UPOZORNENIE: Náradím nikdy nehádzte a dajte pozor, aby vám nespadlo.

UPOZORNENIE: Nezakrývajte vetracie otvory náradia.

Prerezávanie stromov

Pred zapnutím priložte telo reťazovej píly k vetve, ktorú budete píliť. V opačnom prípade môže dôjsť k rozkmitaniu vodiacej lišty s následkom poranenia operátora. Píľte požadované drevo pohybom smerom nadol len za pomoci vlastnej váhy reťazovej píly.

► Obr.19

Ak nemôžete drevo prerezať na jeden záber: aplikujte mierny tlak na rukoväť a pokračujte v pílení, pričom reťazovú pílu mierne ťahajte späť.

► Obr.20

Pri rezaní hrubých konárov najprv urobte plytký zárez zospodu a potom rez dokončíte zhora.

► Obr.21

Ak sa pokúsite odrezat' hrubý konár zospodu, konár sa môže zatvoriť a priškripiť pílovú reťaz v reze. Ak sa pokúsite odrezat' hrubý konár zhora bez plytkého zárezu, konár sa môže rozštiepiť.

► Obr.22

Skracovanie

1. Reťazovú pílu opríte o drevo, ktoré chcete rezať.

► Obr.23

2. Keď je pílová reťaz v prevádzke, zapíľte do dreva, pričom hornou rukoväťou zdvíhajte pílu a prednou ju vedte.

3. Pokračujte v rezaní ľahkým tlakom na hornú rukoväť, zadnú časť píly jemne zdvihnite.

UPOZORNENIE: Ak robíte niekoľko rezov, medzi rezmi pílu vypínajte.

▲POZOR: Ak sa na pílenie používa horná hrana lišty, reťazová píla sa môže vychýliť smerom k vám, ak sa reťaz zasekne. Preto režte spodnou hranou, aby sa píla vychýlila smerom od vás.

► Obr.24

Pri rezaní dreva pod napätím najprv reže tlakovú stranu (A). Potom urobte konečný rez na tlakovej strane (B). Tak sa lišta nezasekne.

► Obr.25

Odvetvovanie

▲POZOR: Odvetvovanie môžu vykonávať len školené osoby. Hrozí riziko spätných nárazov.

Pri odvetvovaní podoprite pílu o kmeň, ak je to možné. Nerežte hrotom lišty, pretože môžu vzniknúť spätné nárazy.

Venujte zvláštnu pozornosť vetvám pod napätím. Nepodopreté vetvy nepíľte zospodu.

Pri odvetvovaní nevzpriamujte spílený kmeň.

Prenášanie náradia

Pred prenášaním náradia aplikujte vždy brzdú reťaze a odstráňte akumulátory. Potom pripojte kryt vodiacej lišty. Akumulátor tiež prikryte krytom akumulátora.

► Obr.26: 1. Kryt vodiacej lišty 2. Kryt akumulátora

ÚDRŽBA

▲POZOR: Pred vykonaním kontroly alebo údržby vždy skontrolujte, či je nástroj vypnutý a akumulátor je vybrať.

▲POZOR: Pri kontrole alebo údržbe používajte vždy rukavice.

UPOZORNENIE: Nepoužívajte benzín, riedidlo, alkohol ani podobné látky. Mohlo by to spôsobiť zmenu farby, deformácie alebo praskliny.

Ak chcete udržať BEZPEČNOSŤ a BEZPORUCHOVOSŤ výrobku, prenechajte opravy, údržbu a nastavenie na autorizované alebo továrenské servisné centrá Makita, ktoré používajú len náhradné diely značky Makita.

Ostrenie pílovej reťaze

Reťaz ostrite, keď:

- pri rezaní vlhkého dreva vznikajú prachové piliny;
- reťaz vniká ťažko do dreva aj pri veľkom tlaku;
- je rezacia hrana zjavne poškodená;
- píla ťahá v dreve napravo alebo naľavo (spôsobuje to len nerovnomerné zaostrenie pílovej reťaze alebo poškodenie na jednej strane).

Pílovú reťaz ostrite často, ale vždy odstráňte len trochu materiálu. Na bežné ostrenie zvyčajne stačia dva alebo tri ťahy brúsnym pilníkom. Ak bola reťaz píly niekoľkokrát ostrená, nechajte ju naostriť v autorizovanom servisnom stredisku.

Kritériá ostrenia:

VAROVANIE: Nadmerná vzdialenosť medzi reznou hranou a hĺbkovým dorazom zvyšuje nebezpečenstvo vzniku spätného nárazu.

► **Obr.27:** 1. Dĺžka noža 2. Vzdialenosť medzi reznou hranou a hĺbkovým dorazom 3. Minimálna dĺžka noža (3 mm)

- Dĺžka všetkých nožov musí byť rovnaká. Píla nemusí kvôli rôznym dĺžkam nožov fungovať plynulo a môže dôjsť k poškodeniu pílovej reťaze.
- Reťaz neostrite, ak dĺžka noža dosiahla 3 mm alebo menej. Reťaz treba vymeniť za novú.
- Hrúbku triesok určuje vzdialenosť medzi hĺbkovým dorazom (okružla predná časť) a reznou hranou.
- Najlepšie rezanie dosiahnete pri nasledovnej vzdialenosti medzi reznou hranou a hĺbkovým dorazom.
 - Čepel reťaze 90PX : 0,65 mm
 - Čepel reťaze 91PX : 0,65 mm
 - Čepel reťaze 25AP : 0,65 mm

► Obr.28

- Na všetkých nožoch musí byť uhol ostrenia 30°. Rozdiely v uhle spôsobujú, že reťaz funguje drsno a nerovnomerne, zrýchľuje sa opotrebovanie a poškodzuje sa reťaz.
- Používajte vhodný okrúhly pilník, aby sa voči zubom zachoval správny uhol ostrenia.
 - Čepel reťaze 90PX : 55°
 - Čepel reťaze 91PX : 55°
 - Čepel reťaze 25AP : 55°

Pilník a vedenie pilníka

- Na ostrenie reťaze používajte špeciálny okrúhly pilník (voliteľné príslušenstvo) pre pílové reťaze. Bežné okrúhle pilníky nie sú vhodné.
- Priemer okrúhleho pilníka pre každú pílovú reťaz je nasledovný:
 - Čepel reťaze 90PX : 4,5 mm
 - Čepel reťaze 91PX : 4,0 mm
 - Čepel reťaze 25AP : 4,0 mm
- Pilník sa musí pohybovať po noži len smerom dopredu. Pri návrate do východiskovej polohy zdvihnite pilník z noža.
- Najprv naostríte najkratší nôž. Dĺžka tohto najkratšieho noža bude štandardnou pre všetky ostatné nože pílovej reťaze.

— Pilníkom pohybuje podľa obrázka.

► **Obr.29:** 1. Pilník 2. Pílová reťaz

— Pilník sa pohybuje omnoho ľahšie, ak má držiak (voliteľné príslušenstvo). Držiak pilníka má značky pre správny uhol ostrenia 30° (zarovnajte značky paralelne s reťazou) a obmedzenie vniknutia (na 4/5 priemeru pilníka).

► **Obr.30:** 1. Držiak pilníka

— Po naostrení reťaze skontrolujte výšku hĺbkového dorazu pomocou náradia na kontrolu dorazu reťaze (voliteľné príslušenstvo).

► **Obr.31**

— Osobitným plochým pilníkom (voliteľné príslušenstvo) odstráňte všetko, čo prečnieva, aj keď len málo.

— Znovu zaoblite prednú časť hĺbkového dorazu.

Čistenie vodiacej lišty

V drážke vodiacej lišty sa budú hromadiť triesky a prachové piliny. Tie môžu drážku lišty upchať a narušiť prietok oleja. Triesky a prachové piliny odstráňte vždy pri ostrení alebo výmene pílovej reťaze.

► **Obr.32**

Čistenie krytu reťazového kola

Vnútri krytu reťazového kola sa budú hromadiť triesky a prachové piliny. Z náradia odstráňte reťazové koleso a pílovú reťaz a vyčistite triesky a prachové piliny.

► **Obr.33**

Čistenie otvoru pre vypúšťanie oleja

V otvore na vypúšťanie oleja sa môžu počas prevádzky usadiť malé častice alebo jemný prach. Tento prach alebo častice môžu zhoršiť vypúšťanie oleja a spôsobíť nedostatočné mazanie celej reťaze. V prípade nedostatočného prívodu oleja na reťaz na konci vodiacej lišty vyčistite otvor na vypúšťanie oleja uvedeným spôsobom.

1. Z náradia odstráňte kryt reťazového kola a reťaz.

2. Jemný prach alebo častice vyberte pomocou plochého skrutkovača so štíhlým driekom alebo podobným nástrojom.

► **Obr.34:** 1. Plochý skrutkovač 2. Otvor na vypustenie oleja

3. Vložte akumulátor do náradia. Potiahnite spúšťač spínača a vypustíte reťazový olej, aby sa z otvoru na vypustenie oleja vyplavil nahromadený prach a častice.

4. Z náradia vyberte akumulátor. Na náradie opäť namontujte kryt reťazového kola a reťaz.

Výmena reťazového kola

POZOR: Opatrebované reťazové koleso poškodí novú reťaz. V takom prípade vymeňte reťazové koleso.

Pred vloženíím novej reťaze skontrolujte stav reťazového kolesa.

► **Obr.35:** 1. Reťazové koleso 2. Opotrebované oblasti

Pri výmene reťazového kolesa vymeňte vždy aj poistný krúžok.

► **Obr.36:** 1. Poistný krúžok 2. Reťazové koleso

UPOZORNENIE: Skontrolujte, či je reťazové koleso namontované podľa obrázka.

Uskladnenie náradia

1. Náradie pred skladovaním vyčistite. Po vybratí reťazového kolesa z náradia odstráňte všetky triesky a prachové piliny.
2. Náradie po vyčistení spustite bez záťaže, aby sa premazala pílová reťaz a vodiaca lišta.
3. Vodiacu lištu zakryte krytom na vodiacu lištu.
4. Vyprázdnite olejovú nádržku.

Pokyny na pravidelnú údržbu

Na zaistenie dlhkej životnosti, predídienie poškodeniu a zabezpečenie plnej funkčnosti bezpečnostných funkcií treba pravidelne vykonávať nasledujúcu údržbu. Právo na záruku možno uznať len v prípade pravidelného a správneho vykonávania tejto činnosti. Pri nedodržovaní predpísanej údržby môže dôjsť k nehodám! Používateľ reťazovej píly nesmie vykonávať údržbu, ktorá nie je opísaná v tomto návode na obsluhu. Všetky takéto práce musí vykonávať autorizované servisné stredisko.

Položka na kontrolu/prevádzkový čas	Pred prevádzkou	Každý deň	Každý týždeň	Každé 3 mesiace	Raz za rok	Pred skladovaním
Reťazová píla	Kontrola.	✓	-	-	-	-
	Čistenie.	-	✓	-	-	-
	Nechajte skontrolovať v autorizovanom servisnom stredisku.	-	-	-	-	✓
Pílová reťaz	Kontrola.	✓	-	-	-	-
	V prípade potreby naostríte.	-	-	-	-	✓
Vodiaca lišta	Kontrola.	✓	✓	-	-	-
	Demontujte z reťazovej píly.	-	-	-	-	✓
Brzda reťaze	Skontrolujte funkčnosť.	✓	-	-	-	-
	Pravidelne nechajte skontrolovať v autorizovanom servisnom stredisku.	-	-	-	✓	-
Mazanie reťaze	Skontrolujte rýchlosť dávkovania oleja.	✓	-	-	-	-
Spúšťačí spínač	Kontrola.	✓	-	-	-	-
Poistná páčka	Kontrola.	✓	-	-	-	-
Veko olejovej nádržky	Skontrolujte tesnosť.	✓	-	-	-	-
Zachytávač reťaze	Kontrola.	-	-	✓	-	-
Skrutky a matice	Kontrola.	-	-	✓	-	-

RIEŠENIE PROBLÉMOV

Pred požiadanim o vykonanie opravy najprv vykonajte vlastnú kontrolu. Ak zistíte problém, ktorý nie je vysvetlený v návode, nepokúšajte sa nástroj rozoberať. Namiesto toho požiadajte o opravu autorizované servisné strediská spoločnosti Makita, ktoré používajú len náhradné diely značky Makita.

Stav poruchy	Príčina	Činnosť
Reťazová píla neštartuje.	Nie je nainštalovaný akumulátor.	Vložte nabitý akumulátor.
	Problém s akumulátorom (nízke napätie).	Akumulátory znova nabite. Pokiaľ nabíjanie nie je účinné, vymeňte akumulátor.
	Hlavný vypínač je vypnutý.	Reťazová píla sa automaticky vypne, ak sa počas určitej doby nepoužíva. Znovu zapnite hlavný vypínač.
Pílová reťaz sa nespúšťa.	Brzda reťaze aktivovaná.	Uvoľnite brzdu reťaze.
Motor po krátkom používaní zastane.	Nabitie akumulátora nie je dostatočné.	Akumulátory znova nabite. Pokiaľ nabíjanie nie je účinné, vymeňte akumulátor.
Na reťazi nie je žiadny olej.	Olejová nádržka je prázdna.	Naplňte olejovú nádržku.
	Znečistená vodiaca drážka oleja.	Očistite drážku.
	Nedostatočný prívod oleja.	Upravte množstvo prívodu oleja pomocou nastavovacej skrutky.
Reťazová píla nedosahuje MAXIMÁLNE OTÁČKY.	Akumulátor nie je nainštalovaný správne.	Akumulátory nainštalujte podľa popisu v tomto návode.
	Výkon akumulátora klesá.	Akumulátor znova nabite. Pokiaľ nabíjanie nie je účinné, vymeňte akumulátor.
	Systém pohonu nefunguje správne.	O opravu požiadajte autorizované servisné stredisko vo vašom regióne.
Indikátor napájania bliká nazeleno.	Spúšťači spínač ste vytiahli pri neprevádzkovom stave.	Spúšťači spínač vytiahnite po zapnutí hlavného vypínača a uvoľnení brzdy reťaze.
Reťaz sa nezastaví ani po zaradení brzd reťaze: okamžite náradie zastavte!	Brzdový pás je opotrebovaný.	O opravu požiadajte autorizované servisné stredisko vo vašom regióne.
Nadmerné vibrácie: okamžite náradie zastavte!	Uvoľnite vodiacu lištu alebo pílovú reťaz.	Nastavte vodiacu lištu a napnutie pílovej reťaze.
	Porucha náradia.	O opravu požiadajte autorizované servisné stredisko vo vašom regióne.
Režim zvýšeného krútiaceho momentu nie je k dispozícii po výmene akumulátora za úplne nabitý.	V závislosti od podmienok používania režim zvýšeného krútiaceho momentu nie je k dispozícii po výmene akumulátora.	Používajte nástroj v normálnom režime, kým sa vložený akumulátor nevybije, a potom vymeňte akumulátor za úplne nabitý alebo nabite aktuálny akumulátor.

VOLITEĽNÉ PRÍSLUŠENSTVO

▲POZOR: Pre váš nástroj Makita, opísaný v tomto návode, doporučujeme používať toto príslušenstvo a nástavce. Pri použití iného príslušenstva či nástavcov môže hroziť nebezpečenstvo zranenia osôb. Príslušenstvo a nástavce sa môžu používať len na účely pre ne stanovené.

Ak potrebujete bližšie informácie týkajúce sa tohoto príslušenstva, obráťte sa na vaše miestne servisné stredisko firmy Makita.

- Pílová reťaz
- Vodiaca lišta
- Kryt vodiacej lišty
- Reťazové koleso
- Klinový tlmič
- Pilník

- Taška na náradie
- Originálna batéria a nabíjačka Makita

▲VAROVANIE: Pri zakúpení vodiacej lišty s inou dĺžkou, ako má štandardná vodiaca lišta, si musíte zakúpiť aj vhodný kryt vodiacej lišty. Ten musí správne sedieť a úplne zakrývať vodiacu lištu na reťazovej píle.

POZNÁMKA: Niektoré položky zo zoznamu môžu byť súčasťou balenia nástrojov vo forme štandardného príslušenstva. Rozsah týchto položiek môže byť v každej krajine odlišný.

SPECIFIKACE

Model:		DUC204	DUC254	DUC254C
Celková délka (bez vodící tyče)		256 mm		
Jmenovité napětí		18 V DC		
Čistá hmotnost		2,8 – 3,3 kg		
Standardní délka vodící tyče		200 mm	250 mm	
Doporučená délka vodící tyče	s 90PX	200 – 250 mm		-
	s 91PX	-	250 mm	-
	s 25AP	-	-	250 mm
Vhodný typ pilového řetězu (viz tabulka dole)		90PX	90PX 91PX	25AP
Standardní řetězové kolo	Počet zubů	6		
	Rozteč	3/8"		
Rychlost řetězu		0 – 24 m/s (0 – 1 440 m/min)		0 – 22,5 m/s (0 – 1 350 m/min)
Objem nádrže na řetězový olej		140 cm ³		

- Vzhledem k neustálému výzkumu a vývoji zde uvedené technické údaje podléhají změnám bez upozornění.
- Specifikace se mohou pro různé země lišit.
- Hmotnost se může lišit v závislosti na nastavcích a přídatných zařízeních, včetně akumulátoru. Nejlehčí a nejtěžší kombinace, dle EPTA-Procedure 01/2014, jsou uvedeny v tabulce níže.

Použitelný akumulátor

BL1815N / BL1820 / BL1820B / BL1830 / BL1830B / BL1840 / BL1840B / BL1850 / BL1850B / BL1860B

- V závislosti na regionu vašeho bydliště nemusí být některé akumulátory k dispozici.

VAROVÁNÍ: Používejte pouze výše uvedené akumulátory. Použití jiných akumulátorů může způsobit zranění a/nebo požár.

Kombinace pilový řetěz, vodící tyč a řetězové kolo

Typ pilového řetězu		90PX	
Počet vodících článků		33	40
Vodící lišta	Délka vodící lišty	200 mm	250 mm
	Délka řezu	180 mm	244 mm
	Rozteč	3/8"	
	Šířka vodící drážky	1,1 mm	
	Typ	Lišta s řetězovým kolem na konci	
Řetězové kolo	Počet zubů	6	
	Rozteč	3/8"	

Typ pilového řetězu		91PX	
Počet vodících článků		40	
Vodící lišta	Délka vodící lišty	250 mm	
	Délka řezu	244 mm	
	Rozteč	3/8"	
	Šířka vodící drážky	1,3 mm	
	Typ	Lišta s řetězovým kolem na konci	
Řetězové kolo	Počet zubů	6	
	Rozteč	3/8"	













Typ pilového řetězu		25AP
Počet vodících článků		60
Vodící lišta	Délka vodící lišty	250 mm
	Délka řezu	250 mm
	Rozteč	1/4"
	Šířka vodící drážky	1,3 mm
	Typ	Křivková lišta
Řetězové kolo	Počet zubů	9
	Rozteč	1/4"

POZOR: Když používáte pilový řetěz 25AP, používejte jej s řetězovým kolem 9 (volitelné příslušenství).

VAROVÁNÍ: Použijte odpovídající kombinaci vodící lišty a pilového řetězu. V opačném případě může dojít ke zranění.

Symbole

Níže jsou uvedeny symboly, se kterými se můžete při použití nářadí setkat. Je důležité, abyste dříve, než s ním začnete pracovat, pochopili jejich význam.

	Přečtěte si návod k obsluze.
	Noste ochranné brýle.
	Používejte ochranu sluchu.
	Používejte přilbu, brýle a ochranu sluchu.
	Používejte vhodnou ochranu nohou a rukou.
	Tuto pilu smí používat pouze řádně vyškolená obsluha.
	Nevstavujte vlhkosti.
	Maximální přípustná délka řezu
	Během obsluhování řetězové pily vždy používejte obě ruce.
	Směr pohybu řetězu
	Seřízení mazání řetězu pily olejem
 Ni-MH Li-Ion	Pouze pro země EU Elektrické zařízení ani akumulátor nelikvidujte současně s domovním odpadem! Vzhledem k dodržování evropských směrnic o odpadních elektrických a elektronických zařízeních a směrnice o bateriích, akumulátorech a odpadních bateriích a akumulátorech s jejich implementací v souladu s národními zákony musí být elektrická zařízení, baterie a akumulátory po skončení životnosti odděleně shromážděny a předány do ekologicky kompatibilního recyklačního zařízení.

Účel použití

Nářadí je určeno k řezání větví a prořezávání stromů. Je také vhodné pro údržbu stromů.

Hlučnost

Typická vážená hladina hluku (A) určená podle normy IEC62841-4-1:

Model DUC204

Hladina akustického tlaku (L_{pA}): 92,2 dB(A)
Hladina akustického výkonu (L_{WA}): 103,2 dB (A)
Nejistota (K): 2,5 dB(A)

Model DUC254

Hladina akustického tlaku (L_{pA}): 92,2 dB(A)
Hladina akustického výkonu (L_{WA}): 103,2 dB (A)
Nejistota (K): 2,5 dB(A)

Model DUC254C

Hladina akustického tlaku (L_{pA}): 92,2 dB(A)
Hladina akustického výkonu (L_{WA}): 103,2 dB (A)
Nejistota (K): 2,5dB(A)

VAROVÁNÍ: Používejte ochranu sluchu.

Vibrace

Celková hodnota vibrací (vektorový součet tří os) určená podle normy IEC62841-4-1:

Model DUC204

Pracovní režim: Řezání dřeva
Emise vibrací ($a_{h,w}$): 3,1 m/s²
Nejistota (K): 1,5 m/s²

Model DUC254

Pracovní režim: Řezání dřeva
Emise vibrací ($a_{h,w}$): 3,1 m/s²
Nejistota (K): 1,5 m/s²

Model DUC254C

Pracovní režim: Řezání dřeva
Emise vibrací ($a_{h,w}$): 4,1 m/s²
Nejistota (K): 1,5 m/s²

POZNÁMKA: Hodnota deklarovaných emisí vibrací byla změněna standardní zkušební metodou a dá se použít k porovnání nářadí mezi sebou.

POZNÁMKA: Hodnotu deklarovaných emisí vibrací lze také použít k předběžnému posouzení míry expozice vibracím.

VAROVÁNÍ: Emise vibrací při používání elektrického nářadí ve skutečnosti se mohou od hodnoty deklarovaných emisí vibrací lišit v závislosti na způsobech použití nářadí.

VAROVÁNÍ: Nezapomeňte stanovit bezpečnostní opatření na ochranu obsluhy podle odhadu expozice ve skutečných podmínkách použití. (Vezměte přitom v úvahu všechny části provozního cyklu, tj. kromě doby zátěže například doby, kdy je nářadí vypnuté a kdy běží naprázdno.)

Prohlášení ES o shodě

Pouze pro evropské země

Prohlášení ES o shodě je obsaženo v Příloze A tohoto návodu k obsluze.

BEZPEČNOSTNÍ VÝSTRAHY

Obecná bezpečnostní upozornění k elektrickému nářadí

VAROVÁNÍ: Přečtěte si všechny bezpečnostní výstrahy i pokyny a prohlédněte si ilustrace a specifikace dodané k tomuto elektrickému nářadí. Nedodržení všech níže uvedených pokynů může vést k úrazu elektrickým proudem, požáru či vážnému zranění.

Všechna upozornění a pokyny si uschovejte pro budoucí potřebu.

Pojem „elektrické nářadí“ v upozorněních označuje elektrické nářadí, které se zapojuje do elektrické sítě, nebo elektrické nářadí využívající akumulátory.

Varování k akumulátorové řetězové pile

1. **Je-li řetěz pily v pohybu, udržte všechny končetiny mimo dosah řetězu. Před zapnutím řetězové pily se ujistěte, že se řetěz ničeho nedotýká.** Budete-li při používání řetězové pily jen chvíli nepozorní, může dojít ke kontaktu řetězu s vaším oblečením nebo tělem.
2. **Řetězovou pilu držte vždy pravou rukou za horní držadlo a levou rukou za přední držadlo.** Budete-li řetězovou pilu držet obráceně, bude hrozit větší nebezpečí úrazu, proto se tomu vyhněte.
3. **Elektrické nářadí držte pouze za izolované části držadel, neboť při práci s řetězovou pilou můžete narazit na skryté elektrické vedení.** Při kontaktu řetězové pily s vodičem pod napětím se může proud přenést do nechráněných kovových částí nářadí a obsluha může utrpět úraz elektrickým proudem.
4. **Používejte ochranu zraku a sluchu.** Doporučuje se také dodatečná ochrana hlavy, rukou a nohou. Aдекватní oblečení zamezí zranění odlétávajícími třískami a nechtěnému kontaktu s řetězem pily.

5. **Vždy udržte řádný a pevný postoj.**
6. **Při řezání napnuté větve dávejte pozor na zpětný ráz.** Když se napětí ve dřevě uvolní, napnutá větev může zasáhnout obsluhu nebo způsobit ztrátu kontroly nad pilou.
7. **Při řezání keřů a malých stromů dbejte mimořádné pozornosti.** Pružný materiál může pilu zachytit a vymrštit se nebo způsobit, že ztratíte rovnováhu.
8. **Při přenášení držte řetězovou pilu za přední rukojeť, nechte ji vypnutou a držte ji tak, aby miřila směrem od vašeho těla. Při přepravě nebo skladování vždy nasaďte kryt vodičí lišty.** Správnou manipulací s řetězovou pilou lze snížit riziko nechtěného kontaktu s pohyblivým se řetězem pily.
9. **Dodržujte pokyny týkající se mazání, napínání řetězu a výměny příslušenství.** Nesprávně napnutý nebo namazaný řetěz se může přetrhnout nebo zvýšit pravděpodobnost zpětného rázu.
10. **Držadla udržte suchá, čistá a chraňte je před olejem a mazacím tukem.** Mastné rukojeti jsou kluzké a mohou způsobit ztrátu kontroly nad nástrojem.
11. **Řezajte pouze dřevo. Nepoužívejte řetězovou pilu k účelům, pro které není určena.** Příklad: nepoužívejte řetězovou pilu k řezání plastu, zdíva nebo nedřevěných stavebních materiálů. Použití řetězové pily k účelu, ke kterému není určena, může mít nebezpečné následky.
12. **Příčiny a prevence zpětného rázu:** Když se špička vodičí lišty dotkne předmětu nebo když dřevo sevře řetěz pily v řezu, může dojít ke zpětnému rázu. Při kontaktu špičky může dojít k náhlé zpětné reakci, kdy se vodičí lišta zvedne nahoru a směrem k uživateli. Při sevření řetězové pily v horní části vodičí lišty může dojít k rychlému pohybu vodičí lišty směrem k uživateli. V těchto situacích můžete ztratit kontrolu nad pilou, což může mít za následek vážné zranění. Nespoléhejte se jen na bezpečnostní zařízení, která jsou součástí pily. Jako uživatel řetězové pily byste měli podniknout veškerá opatření, která jsou nutná k zamezení nehody nebo zranění. Zpětný ráz je důsledkem špatného použití a/nebo nesprávných pracovních postupů či podmínek. Lze se mu vyhnout přijetím odpovídajících opatření, která jsou uvedena níže:

- Udržte pevné sevření tak, aby palce a prsty obíjaly rukojeti pily. Držte pilu oběma rukama a stůjte tak, abyste mohli odolat případnému zpětnému rázu. Jsou-li učiněna vhodná opatření, obsluha může zpětný ráz kontrolovat. Nepouštějte pilu.

► Obr.1

- Nezacházejte příliš daleko a neřežte nad výškou ramen. Můžete tak předejít nechtěnému kontaktu špičky a umožnitě lepší ovládnutí řetězové pily v nenadálých situacích.
- Používejte pouze náhradní lišty a řetězy určené výrobcem. Při použití nesprávných náhradních lišt a řetězů může dojít k přetržení řetězu nebo zpětnému rázu.
- Dodržujte pokyny výrobce týkající se broušení a údržby řetězové pily. Zmenšení výšky hloubkového dorazu může mít za následek větší zpětný ráz.

13. Před zahájením práce zkontrolujte, zda je řetězová pila v řádném provozním stavu a zda odpovídá požadavkům bezpečnostních směrnic. Konkrétně zkontrolujte:
 - Správnou funkci brzdy řetězu;
 - Správnou funkci dobehové brzdy;
 - Správnou upevnění lišty a krytu řetězového kola;
 - Naostření a napnutí řetězu v souladu se směrnicemi.
14. Řetězovou pilu nespouštějte s nasazeným krytem řetězu. Spuštění řetězové pily s nasazeným krytem řetězu může způsobit odmrštění krytu vpřed s následným zraněním či poškozením objektů v okolí obsluhy.

Specifická bezpečnostní varování pro řetězovou pilu s horním držadlem

1. Tato řetězová pila je navržena speciálně k údržbě a prořezávání stromů. Tuto řetězovou pilu smí používat jen vhodné vyškolené osoby. Dodržujte všechny pokyny, postupy a doporučení od relevantních profesních organizací. Jinak může dojít k vážným nehodám. Doporučuje se vždy při řezání stromů používat zdvihací plochu (pojízdná plošina, výtah). Slaňovací techniky jsou extrémně nebezpečné a vyžadují speciální trénink. Obsluha musí být vyškolená tak, aby dobře znala bezpečnostní vybavení a techniky lezení. Při práci na strozech vždy používejte vhodné popruhy, lana a karabiny. Vždy používejte zadržovací zařízení pro obsluhu i pilu.
2. Před uskladněním nářadí vždy proveďte čištění a údržbu, a to v souladu s pokyny v návodu.
3. Zajistěte bezpečnou pozici řetězové pily během přepravy vozem tak, aby nedošlo k úniku paliva nebo oleje, poškození nářadí nebo úrazu osob.
4. Pravidelně kontrolujte funkčnost řetězové brzdy.
5. Nedoplňujte olej poblíž ohně. Při doplňování oleje nikdy nekuřte.
6. Národní předpisy mohou omezovat použití řetězové pily.
7. Jestliže zařízení utrpí prudký náraz nebo pokud upadne, zkontrolujte před obnovením práce jeho stav. Zkontrolujte ovládací a bezpečnostní prvky, zda nejsou poškozené. V případě poškození či pochybností požádejte o prohlídku a opravu naše autorizované servisní středisko.
8. Vždy před spuštěním řetězové pily aktivujte řetězovou brzdu.
9. Držte pilu pevně na místě, aby nedošlo ke sklouznutí nebo odskočení pily při zahájení řezání.
10. Na konci řezání dávejte pozor na rovnováhu postoje, protože dojde k náhlému „poklesu“.
11. Berte v potaz směr a rychlost větru. Vyhněte se pilinám a olejové mlze.

Ochranné pomůcky

1. Aby nedocházelo k úrazům hlavy, očí, rukou nebo nohou, nebo k poškození sluchu, je nutné při provozu řetězové pily používat následující ochranné pomůcky:
 - Typ používaného oděvu musí být vhodný, tzn. nesmí být příliš volný, ale současně nesmí bránit v pohybu. Nenoste šperky ani oděv, které by se mohly nebezpečně zaplést do krovů. Máte-li dlouhé vlasy, vždy použijte síťku na vlasy!
 - Při každé práci s řetězovou pilou je nutné nosit ochrannou přilbu. **Ochranou přilbu** je nutné v pravidelných intervalech kontrolovat, zda není poškozena, a nejpozději po 5 letech ji vyměnit. Používejte pouze schválené ochranné přilby.
 - **Obličejový štít** ochranné helmy (nebo ochranné brýle) chrání proti pilinám a dřevěným odštěpkům. Během provozu řetězové pily vždy noste ochranné brýle nebo obličejový štít, aby nedošlo k poranění očí.
 - Noste adekvátní **ochranu sluchu** (sluchátka, špunty apod.).
 - **Ochranná bunda** obsahuje 22 vrstev nylonu a chrání obsluhu před pořezáním. Je nutné ji nosit vždy, když pracujete na vyvýšených plochách (plošiny, zdvihy), z plošin namontovaných na žebřících nebo při lezení pomocí lan.
 - **Ochranné montérky** jsou vyrobeny z nylonu s 22 vrstvami a chrání před pořezáním. Silně doporučujeme je používat.
 - **Ochranné rukavice** jsou vyrobeny z tlusté kůže a jsou součástí předepsaného vybavení a musí být vždy používány během práce s řetězovou pilou.
 - Během práce s řetězovou pilou musíte mít **bezpečnostní obuv** vybavenou protiskluzovou podrážkou, ocelovou špičkou a ochrannou nohu. Bezpečnostní obuv s ochrannou vrstvou zajišťuje ochranu před fezními ranami a bezpečný postoj. Pro práci na stromech musí být boty vhodné k lezení.

Vibrace

1. Osoby se špatnou cirkulací krve mohou během nadměrných vibrací přijít k újmě na zdraví v případě krevních cév nebo nervového systému. Vibrace mohou způsobit následující symptomy v prstech, rukou a zápěstích: „Ochablost“ (necitlivost), mravenčení, bolest, bodavá bolest, změna barvy či stavu pokožky. **Pokud nastane některý z těchto příznaků, vyhledejte lékaře!** Pro snížení rizika „nemoci bílých prstů“ udržujte ruce v teple a správně provádějte obsluhu a údržbu nářadí a příslušenství.

TYTO POKYNY USCHOVEJTE.

VAROVÁNÍ: NEDOVOLTE, aby pohodlnost nebo pocit znalosti výrobku (získaný na základě předchozího použití) vedl k zanedbání dodržování bezpečnostních pravidel platných pro tento výrobek. **NESPRÁVNÉ POUŽÍVÁNÍ** či nedodržení bezpečnostních pravidel uvedených v tomto návodu k obsluze může způsobit vážné zranění.

Důležitá bezpečnostní upozornění pro akumulátor

1. Před použitím akumulátoru si přečtěte všechny pokyny a varovné symboly na (1) nabíječe, (2) akumulátoru a (3) výrobku využitím akumulátor.
2. Akumulátor nerozebírejte.
3. Pokud se příliš zkrátí provozní doba akumulátoru, přerušte okamžitě práci. V opačném případě existuje riziko přehřívání, popálení nebo dokonce výbuchu.
4. Budou-li vaše oči zasaženy elektrolytem, vypláchněte je čistou vodou a okamžitě vyhledejte lékařskou pomoc. Může dojít ke ztrátě zraku.
5. Akumulátor nezkratujte:
 - (1) Nedotýkejte se svorek žádným vodivým materiálem.
 - (2) Neskladujte akumulátor v nádobě s jinými kovovými předměty, jako jsou hřebíky, mince, apod.
 - (3) Nevystavujte akumulátor vodě a dešti. Zkrat akumulátoru může způsobit velký průtok proudu, přehřátí, možné popálení a dokonce i poruchu.
6. Neskladujte nářadí a akumulátor na místech, kde může teplota překročit 50 °C (122 °F).
7. Nespalujte akumulátor, ani když je vážně poškozen nebo úplně opotřeben. Akumulátor může v ohni vybuchnout.
8. Dávejte pozor, abyste akumulátor neupustili ani s ním nenaráželi.
9. Nepoužívejte poškozené akumulátory.

10. Obsažené lithium-iontové akumulátory podléhají právním požadavkům na nebezpečné zboží.

V případě komerční přepravy například externími dopravci je třeba dodržet zvláštní požadavky na balení a značení.

Pro přepravu zboží k přepravě je nutná konzultace s odborníkem na nebezpečný materiál. Dodržujte také případné podrobnější národní předpisy. Odkryté kontakty přelepte izolační páskou či jinak zakryjte a akumulátory zabalte tak, aby se v balení nemohly pohybovat.
11. Při likvidaci akumulátoru postupujte podle místních předpisů.
12. Akumulátor používejte pouze s výrobky specifikovanými společností Makita. Instalace akumulátoru do nevhovujících výrobků může způsobit požár, nadměrné zahřívání, explozi nebo únik elektrolytu.

TYTO POKYNY USCHOVEJTE.

⚠ UPOZORNĚNÍ: Používejte pouze originální akumulátory Makita. Používání neoriginálních nebo upravených akumulátorů může způsobit explozi akumulátoru a následný požár, zranění a jiné poškození. Zaniká tím také záruka společnosti Makita na nářadí a nabíječku Makita.

Typy k zajištění maximální životnosti akumulátoru

1. Akumulátor nabíjte dříve, než dojde k jeho úplnému vybití. Pokud si povšimnete sníženého výkonu nářadí, vždy jej zastavte a dobijte akumulátor.
2. Nikdy nenabíjete úplně nabitý akumulátor. Přebíjení zkracuje životnost akumulátoru.
3. Akumulátor dobíjete při pokojové teplotě od 10 °C do 40 °C (50 °F až 104 °F). Před nabíjením nechejte horký akumulátor zchladnout.
4. Pokud se akumulátor delší dobu nepoužívá (déle než šest měsíců), je nutno jej dobít.

POPIS DÍLŮ

► Obr.2

1	Spoušť	2	Horní držadlo	3	Odjišťovací páčka
4	Přední ochrana rukou	5	Vodící lišta	6	Pilový řetěz
7	Zachycovač řetězu	8	Pojistná matice	9	Seřizovací šroub řetězu
10	Vodítko odštěpků	11	Akumulátor	12	Hlavní kontrolka napájení
13	Hlavní spínač napájení	14	Stavěcí šroub (olejového čerpadla)	15	Karabina
16	Přední držadlo	17	Víčko olejové nádrže	18	Kryt vodící lišty

POPIS FUNKCÍ

⚠ UPOZORNĚNÍ: Před nastavováním nářadí nebo kontrolou jeho funkce se vždy přesvědčte, zda je vypnuté a je vyjmutý akumulátor.

Nasazení a sejmutí akumulátoru

⚠ UPOZORNĚNÍ: Před nasazením či sejmutím akumulátoru nářadí vždy vypněte.

⚠ UPOZORNĚNÍ: Při nasazování či snímání akumulátoru pevně držte nářadí i akumulátor. V opačném případě vám může nářadí nebo akumulátor vyklouznout z rukou a mohlo by dojít k jejich poškození či ke zranění.

► **Obr.3:** 1. Červený indikátor 2. Tlačítko 3. Akumulátor

Chcete-li akumulátor sejmout, vysuňte jej se současným přesunutím tlačítka na přední straně akumulátoru.

Při nasazování akumulátoru vyrovnajte jazýček na bloku akumulátoru s drážkou v krytu a zasuňte akumulátor na místo. Akumulátor zasuňte na doraz, až zacvakne na své místo. Není-li tlačítko zcela zajištěno, uvidíte na jeho horní straně červený indikátor.

⚠ UPOZORNĚNÍ: Akumulátor zasunujte vždy zcela tak, aby nebyl červený indikátor vidět. Jinak by mohl akumulátor ze zařízení vypadnout a způsobit zranění obsluze či přihlížejícím osobám.















⚠ UPOZORNĚNÍ: Akumulátor nenasazujte násilím. Nelze-li akumulátor zasunout snadno, nevkládejte jej správně.

Indikace zbývající kapacity akumulátoru

Pouze pro akumulátory s diodovým ukazatelem

► **Obr.4:** 1. Kontrolky 2. Tlačítko kontroly

Stisknutím tlačítka kontroly na akumulátoru zjistíte zbývající kapacitu akumulátoru. Kontrolky indikátoru se na několik sekund rozsvítí.

Kontrolky			Zbývající kapacita
 Svítí	 Nesvítí	 Bliká	
			75 % až 100 %
			50 % až 75 %
			25 % až 50 %
			0 % až 25 %
			Nabijte akumulátor.
 ↑ ↓ 			Došlo pravděpodobně k poruše akumulátoru.

POZNÁMKA: Kapacita udávaná indikátorem se může mírně lišit od skutečné kapacity v závislosti na podmínkách používání a teplotě prostředí.

Systém ochrany nářadí a akumulátoru

Nářadí je vybaveno systémem ochrany nářadí a akumulátoru. Tento systém automaticky přeruší napájení motoru, aby se prodloužila životnost nářadí a akumulátoru. Budou-li nářadí nebo akumulátor vystaveny některé z níže uvedených podmínek, nářadí se během provozu automaticky vypne:

Ochrana proti přetížení

Pokud se s akumulátorem pracuje způsobem vyvolávajícím mimořádně vysoký odběr proudu, nářadí se automaticky vypne a rozblíká se zeleně hlavní kontrolka napájení. V takové situaci nářadí vypněte a ukončete činnost, při níž došlo k přetížení nářadí. Potom nářadí zapněte a obnovte činnost.

Ochrana proti přehřátí

Při přehřátí nářadí či akumulátoru se nářadí automaticky vypne a světlo začne červeně svítit. V takovém případě nechte nářadí a akumulátor před opětovným zapnutím vychladnout.

POZNÁMKA: V prostředí s vysokou teplotou je velká pravděpodobnost, že ochrana před přehřátím se spustí a nářadí se automaticky zastaví.

Ochrana proti přílišnému vybití

Není-li kapacita akumulátoru dostatečná, nářadí se automaticky zastaví a hlavní kontrolka napájení bude blikat červeně. V takovém případě vyjměte akumulátor z nářadí a nabijte jej.

Hlavní spínač napájení

⚠ VAROVÁNÍ: Pokud nářadí nepoužíváte, vždy vypněte hlavní spínač napájení.

Chcete-li zapnout nářadí, stiskněte hlavní tlačítko napájení a držte ho, dokud se zeleně nerozsvítí hlavní kontrolka napájení. Pokud ji chcete vypnout, opět stiskněte hlavní spínač napájení.

► **Obr.5:** 1. Hlavní kontrolka napájení 2. Hlavní spínač napájení

POZNÁMKA: Pokud je stisknuta spoušť za podmínek, při kterých nářadí nemůže pracovat, začne hlavní kontrolka napájení zeleně blikat. Kontrolka bliká při jednom z následujících stavů.

- Když stisknete hlavní spínač napájení a současně držíte odjišťovací páčku a spoušť.
- Když stisknete spoušť při aktivované brzdě řetězu.
- Když uvolníte brzdu řetězu a současně držíte odjišťovací páčku a spoušť.

POZNÁMKA: Tato řetězová pila je vybavena funkcí automatického vypínání. Jako prevence neúmyslného spuštění se hlavní spínač napájení automaticky vypne, pokud není stisknuta spoušť do určité doby po zapnutí hlavního spínače napájení.

Nářadí můžete používat v režimu posíleného utahovacího momentu (Torque Boost), kdykoliv je třeba řezat tlusté a tvrdé větve. Chcete-li použít režim posíleného utahovacího momentu, stiskněte při vypnutém nářadí hlavní spínač napájení a podržte jej několik sekund, dokud se hlavní kontrolka napájení nerozsvítí žlutě.

POZNÁMKA: Můžete použít nářadí v režimu posíleného utahovacího momentu po dobu 30 sekund. V závislosti na podmínkách použití se tento režim vrátí do normálu po méně než 30 sekundách.

POZNÁMKA: Jestliže hlavní kontrolka napájení bliká žlutě, když stisknete hlavní spínač napájení po dobu několika sekund, není režim posílení utahovacího momentu k dispozici. V takovém případě postupujte následovně.

- Režim posílení utahovacího momentu není dostupný ihned po řezání. Počkejte déle než 10 sekund a poté stiskněte hlavní spínač napájení.
- Po několikanásobném použití režimu posílení utahovacího momentu bude jeho použití omezeno, aby byl ochráněn akumulátor. Není-li režim posílení utahovacího momentu dostupný po více než 10 sekundách, vyměňte akumulátor za plně nabitý, nebo jej dobijte.

POZNÁMKA: Jestliže se hlavní kontrolka napájení rozsvítí červeně nebo bliká červeně či zeleně, podívejte se do návodu k systému ochrany nářadí/akumulátoru.

POZNÁMKA: Režim posílení utahovacího momentu nelze používat, když je namontován akumulátor typu BL1815N, BL1820 nebo BL1820B.

Používání spouště

VAROVÁNÍ: K zajištění vaší bezpečnosti je nářadí vybaveno odjišťovací páčkou zamezující nechtěnému spuštění nářadí. NIKDY nepoužívejte nářadí, jež lze spustit pouhým stisknutím spouště bez použití odjišťovací páčky. V takovém případě nářadí PŘED dalším použitím předejte našemu autorizovanému servisnímu středisku k opravě.

VAROVÁNÍ: Odjišťovací páčku NIKDY nechycujte lepicí páskou v aktivní poloze ani jinak nepotlačujte její funkci.

UPOZORNĚNÍ: Před vložením akumulátoru do nářadí vždy zkontrolujte správnou funkci spouště, a zda se po uvolnění vrací do vypnuté polohy.

POZOR: Nepokoušejte se spoušť aktivovat silou bez stisknutí odjišťovací páčky. Mohlo by dojít k poškození spínače.

K zamezení náhodného stisknutí spouště je zařízení vybaveno odjišťovací páčkou. Chcete-li nářadí spustit, stiskněte odjišťovací páčku a potom spoušť. Otáčky nářadí se zvyšují zvyšováním tlaku na spoušť. Chcete-li nářadí vypnout, uvolněte spoušť.

► Obr.6: 1. Spoušť 2. Odjišťovací páčka

Kontrola brzdy řetězu

UPOZORNĚNÍ: Při spuštění držte řetězovou pilu oběma rukama. Horní držadlo držte pravou rukou a přední držadlo levou rukou. Lišta ani řetěz nesmějí být v kontaktu s žádným předmětem.

UPOZORNĚNÍ: Pokud se při provádění této zkoušky pilový řetěz okamžitě nezastaví, nesmí být řetězová pila za žádných okolností dále používána. Obratě se na naše autorizované servisní středisko.

1. Stiskněte odjišťovací páčku a poté spoušť. Řetězová pila se okamžitě spustí.
 2. Hřbetem ruky zatlačte přední ochranu rukou směrem vpřed. Ujistěte se, zda se řetězová pila okamžitě zcela zastaví.
- Obr.7: 1. Přední ochrana rukou 2. Odjištěná poloha 3. Zajištěná poloha

Kontrola doběhové brzdy

UPOZORNĚNÍ: Pokud se při provádění této zkoušky pilový řetěz nezastaví do dvou sekund, přestaňte řetězovou pilu používat a obraťte se na naše autorizované servisní středisko.

Uvedte řetězovou pilu do chodu a potom zcela uvolněte spoušť. Pilový řetěz se musí do dvou sekund zastavit.

Seřízení mazání řetězu

Výkon olejového čerpadla lze seřídit stavěcím šroubem pomocí univerzálního klíče. Množství přiváděného oleje lze upravit ve 3 krocích.

► Obr.8: 1. Stavěcí šroub

Karabina (bod uchycení lana)

Nářadí můžete zavěsit připojením lana ke karabině. Vytáhněte karabinu a poté ji přivažte k lanu.

Elektronické funkce

Nářadí je vybaveno elektronickými funkcemi usnadňujícími provozování.

- Měkké spuštění
Funkce měkkého spuštění omezuje na minimum ráz při spuštění a umožňuje hladké spuštění nářadí.

SESTAVENÍ

UPOZORNĚNÍ: Před prováděním jakýchkoli prací na nářadí se vždy přesvědčte, zda je vypnuté a je vyjmutý akumulátor.

UPOZORNĚNÍ: Nedotýkejte se pilového řetězu holýma rukama. Při manipulaci s pilovým řetězem vždy používejte rukavice.

Sejmutí a instalace pilového řetězu

⚠ UPOZORNĚNÍ: Pilový řetěz a vodící lišta jsou ihned po skončení práce stále horké. Před prováděním jakékoli práce na nářadí je nechte dostatečně vychladnout.

⚠ UPOZORNĚNÍ: Postup montáže či sejmutí pilového řetězu provádějte v čistém prostředí bez výskytu pilin a jiných nečistot.

Při demontáži pilového řetězu postupujte podle následujících kroků:

1. Pustěte brzdu řetězu zatažením za první přední ochranu ruky.
2. Povolte seřizovací šroub řetězu, poté pojistnou matici.

► **Obr.9:** 1. Seřizovací šroub řetězu 2. Pojistná matice

3. Sejměte kryt řetězového kola, potom sejměte pilový řetěz a vodící lištu z těla řetězové pily.

Při montáži pilového řetězu postupujte podle následujících kroků:

1. Zkontrolujte směr pilového řetězu. Sjednoťte směr pilového řetězu se značkou na těle řetězové pily.
2. Jeden konec pilového řetězu nasadte na horní stranu vodící tyče.

3. Druhý konec pilového řetězu vedte kolem řetězového kola, poté připojte vodící tyč k tělu řetězové pily a srovnejte otvor na vodící tyči s kolíčkem na těle řetězové pily.

► **Obr.10:** 1. Řetězové kolo 2. Otvor

4. Přiložte výstupek na krytu řetězového kola k tělu řetězové pily a poté kryt zavřete tak, aby se šroub a kolíky na těle řetězové pily setkaly se svými protějšky na krytu.

► **Obr.11:** 1. Výstupek 2. Kryt řetězového kola
3. Šroub 4. Kolík

5. Utáhněte pojistnou matici a zajistěte kryt řetězového kola, poté ji trochu povolte, aby se řetěz mírně uvolnil.

► **Obr.12:** 1. Pojistná matice

Úprava napnutí pilového řetězu

⚠ UPOZORNĚNÍ: Pilový řetěz nenapínejte příliš. Příliš silné napnutí pilového řetězu může způsobit přetržení pilového řetězu, opotřebení vodící lišty a poškození regulačního knoflíku.

⚠ UPOZORNĚNÍ: Příliš povolný řetěz může vyskočit z lišty, což může způsobit zranění.

Po mnoha hodinách provozu se může pilový řetěz povolit. Čas od času před zahájením používání zkontrolujte napnutí pilového řetězu.

1. Pustěte brzdu řetězu zatažením za první přední ochranu ruky.
2. Povolte trochu pojistnou matici tak, aby se lehce uvolnil kryt řetězového kola.

► **Obr.13:** 1. Pojistná matice

3. Mírně nadzvedněte špičku vodící tyče a upravte napnutí řetězu. Seřizovací šroub řetězu se utahuje otáčením po směru hodinových ručiček, a naopak povoluje otáčením proti směru hodinových ručiček.

Pro řetězové listy 90PX a 91PX:

Napněte pilový řetěz, až dolní strana pilového řetězu doseďne do vedení vodící tyče, jak je znázorněno na obrázku.

► **Obr.14:** 1. Vodící lišta 2. Pilový řetěz 3. Seřizovací šroub řetězu

Pro řetězový list 25AP:

Napněte pilový řetěz tak, aby mezera mezi středem dolní strany vodící tyče a pilovým řetězem činila přibližně 1 mm až 2 mm.

4. Vodící tyč stále zlehka přidržujte a dotáhněte kryt řetězového kola.

Pro řetězové listy 90PX a 91PX:

Ujistěte se, zda se pilový řetěz na spodní straně neuvolnil.

Pro řetězový list 25AP:

Ujistěte se, že mezera mezi středem dolní strany vodící tyče a pilovým řetězem je přibližně 1 mm až 2 mm.

5. Utáhněte pojistnou matici a zajistěte kryt řetězového kola.

► **Obr.15:** 1. Pojistná matice

Zajistěte, aby pilový řetěz těsně doseďl do spodní strany lišty.

Zubová opěrka

Volitelné příslušenství

Při řezání tlustých větví se doporučuje používat zubovou opěrku. Montáž zubové opěrky proveďte za pomoci následujících kroků:

1. Demontujte kryt řetězového kola, pilový řetěz a vodící tyč.
2. Srovnejte otvory v zubové opěrce s otvory na těle řetězové pily a poté pevně utáhněte šrouby.

► **Obr.16:** 1. Šroub 2. Zubová opěrka

PRÁCE S NÁŘADÍM

Mazání

Pilový řetěz je během provozu nářadí automaticky promazáván. Pravidelně kontrolujte zbývající množství oleje v nádrži skrze olejový průhled.

Chcete-li doplnit nádrž, položte řetězovou pilu na bok a sejměte víčko olejové nádrže. Správné množství oleje je 140 ml. Po doplnění nádrže se přesvědčte, zda je víčko olejové nádrže dobře dotaženo.

► **Obr.17:** 1. Víčko olejové nádrže 2. Olejový průhled

Po doplnění držte řetězovou pilu mimo dosah strumu. Uveďte pilu do chodu a počkejte, dokud nebude dosaženo dostatečného promazání pilového řetězu.

► **Obr.18**

POZOR: Při prvním plnění řetězovým olejem nebo doplňování nádrže po úplném vyprázdnění nalévejte olej až k dolnímu okraji plnicího hrdla. V opačném případě mohou vzniknout problémy s přívodem oleje.

POZOR: Používejte olej určený výlučně pro řetězové pily Makita nebo odpovídající oleje běžně dostupné na trhu.

POZOR: Nikdy nepoužívejte olej, který obsahuje prach a částice nečistot ani tekavý olej.

POZOR: Při prořezávání stromů používejte rostlinný olej. Minerální olej může stromy ohrozit.

POZOR: Před zahájením řezání se přesvědčte, zda bylo na své místo našroubováno víčko olejové nádrže.

PRÁCE S ŘETĚZOVOU PILOU

⚠️ UPOZORNĚNÍ: Při prvním použití pily by si měl uživatel procvičit alespoň řezání kulatiny na koze nebo na korýtkové podpěře.

⚠️ UPOZORNĚNÍ: Při řezání předřezaného dřeva použijte bezpečnou podpěru (kozu). Řezaný díl nepřidržíte nohou, nenechávejte na něm nikoho stát ani si jej nenechte přidržovat jinou osobu.

⚠️ UPOZORNĚNÍ: Kulatinu zajistěte proti otáčení.

⚠️ UPOZORNĚNÍ: Je-li motor řetězové pily v provozu, udržte všechny končetiny mimo dosah řetězu.

⚠️ UPOZORNĚNÍ: Je-li motor řetězové pily v provozu, držte řetězovou pilu pevně oběma rukama.

⚠️ UPOZORNĚNÍ: Nepřeceňujte vlastní schopnosti. Udržujte vždy správný postoj a rovnováhu.

POZOR: Nikdy náradí neodhazujte ani nepouštějte na zem.

POZOR: Nezakrývejte ventilační otvory náradí.

Prořezávání stromů

Před zapnutím pily přiložte k řezané větvi tělo řetězové pily. Jinak může dojít k rozkolísání vodicí tyče a následnému zranění obsluhy. Řežte požadovaný kus dřeva jen pohybem dolů, s využitím vlastní hmotnosti řetězové pily.

► Obr.19

Nemůžete-li přefíznout dřevo jedním pohybem: Lehce zatlačte na držadlo, pokračujte v řezání a trochu zatáhněte pilu zpátky.

► Obr.20

Při řezání tlustých větví nejprve provedte mělký podřez a poté celý řez dokončete shora.

► Obr.21

Budete-li se snažit přefíznout tlustou větev odspodu, může se větev sevřít a zachytit tím pilový řetěz v řezu. Pokuste-li se uříznout tlusté větve pouze shora a bez podřezu, může se větev zlomit.

► Obr.22

Řezání polen

1. Přiložte tělo řetězové pily k řezanému dřevu.

► Obr.23

2. Uveďte řetězovou pilu do provozu a zařizněte do dřeva, pomocí horního držadla se pila zvedá a předním držadlem se pila vede.

3. Pokračujte v řezu mírným tlakem na horní držadlo a pilu mírně posunujte zpět.

POZOR: Při provádění několika řezů je třeba mezi jednotlivými řezy pilu vypnout.

⚠️ UPOZORNĚNÍ: Pokud se při řezání používá horní hrana lišty, může při zablokování řetězu dojít k vychýlení řetězové pily ve vašem směru. Z tohoto důvodu provádějte řezání dolní hranou tak, aby byla v takových případech pila odchýlena od vašeho těla.

► Obr.24

Nejdříve řežte dřevo pod napětím na tlakové straně (A). Poté proveďte konečný řez na straně napětí (B). Zabráníte tak zachycení lišty.

► Obr.25

Odvětvování

⚠️ UPOZORNĚNÍ: Odvětvování smí provádět pouze vyškolení pracovníci. Možnost zpětného rázu s sebou přináší riziko.

Při odvětvování opřete pokud možno řetězovou pilu o kmen. Neřežte špičkou lišty; vyhněte se tak riziku zpětného rázu. Zvláštní pozornost věnujte větvím pod napětím. Nepodepřené větve neřežte zesponu. Při odvětvování nestůjte na pokáceném kmenu.

Přenášení náradí

Před přenášením náradí vždy aktivujte brzdu řetězu a vyjměte z náradí akumulátory. Pak nasadte kryt vodicí lišty. Také na akumulátor nasadte kryt.

► Obr.26: 1. Kryt vodicí lišty 2. Kryt akumulátoru

ÚDRŽBA

⚠️ UPOZORNĚNÍ: Před zahájením kontroly nebo údržby náradí se vždy ujistěte, zda je vypnuté a je vyjmut akumulátor.

⚠️ UPOZORNĚNÍ: Při provádění kontrol a údržby vždy používejte ochranné rukavice.

POZOR: Nikdy nepoužívejte benzín, benzen, ředidlo, alkohol či podobné prostředky. Mohlo by tak dojít ke změnám barvy, deformacím či vzniku prasklin.

K zachování BEZPEČNOSTI a SPOLEHLIVOSTI výrobku musí být opravy a veškerá další údržba či seřizování prováděny autorizovanými nebo továrními servisními středisky společnosti Makita s využitím náhradních dílů Makita.

Ostření pilového řetězu

Pilový řetěz je nutno naostřit v následujících případech:

- Při řezání vlhkého dřeva vznikají moučné piliny;
- Řetěz proniká obtížně do dřeva, a to i při vyvinutí silného tlaku;
- Břit je viditelně poškozen;
- Pila v dřevě táhne doleva nebo doprava. (Příčinou je nerovnoměrné naostření pilového řetězu nebo jednostranné poškození.)

Pilový řetěz ostřete často, ale vždy jen mírně. K běžnému naostření obvykle postačují dva nebo tři tahy pilníkem. Po několika naostřeních pilového řetězu nechte řetěz naostřit v našem autorizovaném servisním středisku.

Kritéria ostření:

VAROVÁNÍ: Příliš velká vzdálenost mezi břittem a omezovací patkou zvyšuje riziko zpětného rázu.

► **Obr.27:** 1. Délka břitů 2. Vzdálenost mezi břittem a omezovací patkou 3. Minimální délka břitů (3 mm)

- Délka všech břitů musí být stejná. Rozdílné délky břitů znemožňují hladký běh řetězu a mohou způsobit jeho přetřetí.
- Neprovádějte ostření řetězu, pokud mají břity délku 3 mm nebo menší. Řetěz je třeba vyměnit za nový.
- Tloušťka třísky je dána vzdáleností mezi omezovací patkou (oblym nosem) a břittem.
- Nejlepších výsledků řezání dosáhnete nastavením následující vzdálenosti mezi břittem a omezovací patkou.
 - Řetězový list 90PX : 0,65 mm
 - Řetězový list 91PX : 0,65 mm
 - Řetězový list 25AP : 0,65 mm

► **Obr.28**

- 30° úhel ostření musí být u všech břitů shodný. Rozdílné úhly břitů mohou vést k hrubému a nerovnoměrnému pohybu řetězu, urychlují opotřebení a způsobují přetřetí řetězu.
- Používejte vhodný kruhový pilník, abyste dosáhli potřebného úhlu ostření vůči zubům.
 - Řetězový list 90PX : 55°
 - Řetězový list 91PX : 55°
 - Řetězový list 25AP : 55°

Pilník a vedení pilníku

- K ostření řetězu používejte speciální kruhový pilník (volitelné příslušenství) na pilové řetězy. Běžné kruhové pilníky nejsou vhodné.
- Průměry kruhových pilníků pro jednotlivé pilové řetězy jsou následující:
 - Řetězový list 90PX : 4,5 mm
 - Řetězový list 91PX : 4,0 mm
 - Řetězový list 25AP : 4,0 mm
- Pilníkem odebírejte materiál břitu pouze při pohybu vpřed. Při zpětném pohybu pilník od břitu oddalte.

— Nejprve naostřete nejkratší břit. Délka nejkratšího břitu se pak stane vzorem pro všechny ostatní břity pilového řetězu.

— Pilník vedte tak, jak je ilustrováno na obrázku.

► **Obr.29:** 1. Pilník 2. Pilový řetěz

— Pilník lze vést snadněji při použití držáku pilníku (volitelné příslušenství). Držák pilníku je opatřen značkami pro správný úhel ostření 30° (značky umístíte rovnoběžně s pilovým řetězem) a omezuje hloubku průniku (na 4/5 průměru pilníku).

► **Obr.30:** 1. Držák pilníku

— Po naostření řetězu zkontrolujte výšku hloubkového dorazu pomocí řetězové měrky (volitelné příslušenství).

► **Obr.31**

— Speciálním plochým pilníkem (volitelné příslušenství) odstraňte případný přebytečný materiál.

— Opět zaoblete přední stranu hloubkového dorazu.

Čištění vodící lišty

V drážce vodící lišty se hromadí třísky a piliny. Ty mohou drážku lišty ucpat a bránit průtoku oleje. Při každém ostření a výměně pilového řetězu odstraňte nahromaděné třísky a piliny.

► **Obr.32**

Čištění krytu řetězového kola

Ve vnitřní části krytu řetězového kola se hromadí třísky a piliny. Sejměte z nářadí kryt řetězového kola a pilový řetěz a odstraňte třísky a piliny.

► **Obr.33**

Čištění otvoru pro výstup oleje

Během provozu se na výstupu oleje může nahromadit drobný prach nebo materiál. Tento drobný prach nebo částice mohou negativně ovlivnit průtok oleje a vést k nedostatečnému mazání celého pilového řetězu. Pokud na horní straně lišty dochází k nedostatečnému přívodu oleje, vyčistěte následujícím způsobem otvor výstupu oleje.

1. Demontujte z nářadí kryt řetězového kola a pilový řetěz.

2. Tenkým plochým šroubovákem nebo podobným nástrojem odstraňte drobný prach či třísky.

► **Obr.34:** 1. Plochý šroubovák 2. Otvor výstupu oleje

3. Vložte do nářadí akumulátor. Stisknutím spouště odstraňte pomocí vytékajícího řetězového oleje prach nebo částice nahromaděné na výstupu oleje.

4. Vyjměte z nářadí akumulátor. Namontujte na nářadí kryt řetězového kola a pilový řetěz.

Výměna řetězového kola

UPOZORNĚNÍ: Opatřeným řetězové kolo způsobí poškození nového pilového řetězu. V takovém případě nechejte řetězové kolo vyměnit.

Před nasazením nového pilového řetězu zkontrolujte stav řetězového kola.

► **Obr.35:** 1. Řetězové kolo 2. Oblasti podléhající opotřebení

Při výměně řetězového kola vždy použijte nový pojistný kroužek.

► **Obr.36:** 1. Pojistný kroužek 2. Řetězové kolo

POZOR: Dbejte, aby bylo řetězové kolo nainstalováno tak, jak je znázorněno na obrázku.

Skladování nářadí

1. Před uložením nářadí jej vyčistěte. Po demontáži krytu řetězového kola z nářadí odstraňte případné třísky a piliny.
2. Po vyčištění nářadí jej spusťte bez zatížení, aby došlo k promazání pilového řetězu a vodící lišty.
3. Na vodící lištu nasadte kryt vodící lišty.
4. Vyprázdněte olejovou nádrž.

Pokyny k pravidelné údržbě

K zajištění dlouhé životnosti, jako prevenci proti poškození a k zabezpečení plné funkčnosti bezpečnostních prvků je třeba pravidelně provádět následující údržbu. Záruční nároky mohou být uznány pouze v případě, že budou tyto práce pravidelně a řádně prováděny. Zanedbání předepsané údržby může vést k úrazům! Uživatel řetězové pily nesmí provádět práce údržby, jež nejsou popsány v návodu k obsluze. Veškeré takové práce musí být provedeny v našem autorizovaném servisním středisku.

Kontrolovaná položka / Doba provozu		Před použitím	Každodenně	Každý týden	Každé 3 měsíce	Jednou za rok	Před skladováním
Řetězová pila	Kontrola.	✓	-	-	-	-	-
	Vyčištění.	-	✓	-	-	-	-
	Kontrola v autorizovaném servisním středisku.	-	-	-	-	✓	✓
Pilový řetěz	Kontrola.	✓	-	-	-	-	-
	V případě potřeby řetěz naostřete.	-	-	-	-	-	✓
Vodící lišta	Kontrola.	✓	✓	-	-	-	-
	Sejmout z řetězové pily.	-	-	-	-	-	✓
Brzda řetězu	Kontrola funkce.	✓	-	-	-	-	-
	Brzdu nechte pravidelně kontrolovat v autorizovaném servisním středisku.	-	-	-	✓	-	-
Mazání řetězu	Zkontrolujte množství přiváděného oleje.	✓	-	-	-	-	-
Spoušť	Kontrola.	✓	-	-	-	-	-
Odjišťovací páčka	Kontrola.	✓	-	-	-	-	-
Víčko olejové nádrže	Kontrola těsnosti.	✓	-	-	-	-	-
Zachycovač řetězu	Kontrola.	-	-	✓	-	-	-
Šrouby a matice	Kontrola.	-	-	✓	-	-	-

ŘEŠENÍ POTÍŽÍ

Před žádostí o opravu proveďte nejprve prohlídku sami. Narazíte-li na problém, jenž v této příručce není vysvětlen, nepouštějte se do demontáže zařízení. Požádejte o pomoc některé z autorizovaných servisních středisek Makita, kde k opravám vždy používají náhradní díly Makita.

Stav poruchy	Příčina	Náprava
Řetězovou pilu nelze spustit.	Není nasazen blok akumulátoru.	Nainstalujte nabitý akumulátor.
	Problém s akumulátorem (nízké napětí).	Nabijte akumulátory. Jestliže nabití nepomůže, vyměňte akumulátor.
	Je vypnutý hlavní spínač napájení.	Pokud není řetězová pila po určitou dobu používána, automaticky se vypne. Opět zapněte hlavní spínač napájení.
Řetězová pila nefunguje.	Brzda řetězu byla aktivována.	Uvolněte brzdu řetězu.
Motor se po krátké době provozu zastaví.	Akumulátor není dostatečně nabitý.	Nabijte akumulátory. Jestliže nabití nepomůže, vyměňte akumulátor.
Na řetězu není olej.	Olejevá nádrž je prázdná.	Naplňte olejevou nádrž.
	Znečištěná mazací drážka.	Vyčistěte drážku.
	Nedostatečný přívod oleje.	Upravte množství přiváděného oleje stavěcím šroubem.
Řetězová pila nedosahuje maximálních otáček.	Akumulátor je nesprávně nasazen.	Nainstalujte akumulátory podle popisu v této příručce.
	Poklesí výkon akumulátoru.	Nabijte akumulátor. Jestliže nabití nepomůže, vyměňte akumulátor.
	Systém pohonu nepracuje správně.	Předejte k opravě do místního autorizovaného servisního střediska.
Zeleně bliká hlavní kontrolka napájení.	Došlo ke stisknutí spouště za podmínek, při kterých nářadí nemůže pracovat.	Stiskněte spoušť až po zapnutí hlavního spínače napájení a uvolnění brzdy řetězu.
Řetěz se nezastaví ani při aktivaci brzdy řetězu: Zařízení ihned vypněte!	Je opotřebený brzdový pás.	Předejte k opravě do místního autorizovaného servisního střediska.
Nenormální vibrace: Zařízení ihned vypněte!	Povolena vodící lišta nebo pilový řetěz.	Seřídte vodící lištu a napnutí pilového řetězu.
	Porucha nářadí.	Předejte k opravě do místního autorizovaného servisního střediska.
Režim posílení utahovacího momentu není dostupný ani po výměně akumulátoru za zcela nabitý.	V závislosti na podmínkách použití může být režim posílení utahovacího momentu po výměně akumulátoru nedostupný.	Použijte nářadí v normálním režimu, dokud není akumulátor prázdný, poté jej vyměňte za jiný, zcela nabitý, nebo ten původní dobijte.

VOLITELNÉ PŘÍSLUŠENSTVÍ

⚠ UPOZORNĚNÍ: Pro nářadí Makita popsané v tomto návodu doporučujeme používat následující příslušenství a nástavce. Při použití jiného příslušenství či nástavců může hrozit nebezpečí zranění osob. Příslušenství lze používat pouze pro stanovené účely.

Potřebujete-li bližší informace ohledně tohoto příslušenství, obraťte se na místní servisní středisko společnosti Makita.

- Pilový řetěz
- Vodící lišta
- Kryt vodící lišty
- Řetězové kolo
- Zubová opěrka
- Pilník

- Brašna na nářadí
- Originální akumulátor a nabíječka Makita

⚠ VAROVÁNÍ: Pokud zakoupíte vodící lištu s délkou odlišnou od standardní vodící lišty, kupte současně také vhodný kryt vodící lišty. Musí jít nasadit a zcela zakrývat vodící lištu řetězové pily.

POZNÁMKA: Některé položky seznamu mohou být k nářadí přibaleny jako standardní příslušenství. Přibalené příslušenství se může v různých zemích lišit.

ТЕХНІЧНІ ХАРАКТЕРИСТИКИ

Модель:		DUC204	DUC254	DUC254C
Загальна довжина (без шини)		256 мм		
Номінальна напруга		18 В пост. струму		
Маса нетто		2,8 – 3,3 кг		
Стандартна довжина шини		200 мм	250 мм	
Рекомендована довжина шини	з 90PX	200 – 250 мм		—
	з 91PX	—	250 мм	—
	з 25AP	—		250 мм
Відповідний тип ланцюга для пили (див. таблицю нижче)		90PX	90PX 91PX	25AP
Стандартна зірочка	Кількість зубців	6		9
	Крок	3/8"		1/4"
Швидкість ланцюга		0 – 24 м/с (0 – 1 440 м/хв)		0 – 22,5 м/с (0 – 1 350 м/хв)
Об'єм мастильного бака		140 см ³		

- Оскільки наша програма наукових досліджень і розробок триває безперервно, наведені тут технічні характеристики можуть бути змінені без попередження.
- У різних країнах технічні характеристики можуть бути різними.
- Вага може відрізнятися залежно від допоміжного обладнання, наприклад касети з акумулятором. Найлегші та найважчі комплекти, відповідно до стандарту ЕРТА (Європейська асоціація виробників електроінструменту) від січня 01/2014 року, представлено в таблиці.

Застосовна касета з акумулятором

BL1815N / BL1820 / BL1820B / BL1830 / BL1830B / BL1840 / BL1840B / BL1850 / BL1850B / BL1860B

- Деякі касети з акумулятором, які вказано вище, можуть бути недоступними залежно від вашого регіону або місця перебування.

⚠ ПОПЕРЕДЖЕННЯ: Використовуйте лише касети з акумулятором, перелічені вище. Використання будь-яких інших касет з акумулятором може призвести до травмування й/або пожежі.

Комбінація ланцюга для пили, шини й зірочки

Тип ланцюга для пили		90PX	
Кількість приводних ланок		33	40
Шина	Довжина шини	200 мм	250 мм
	Довжина різання	180 мм	244 мм
	Крок	3/8"	
	Шкала регулювання	1,1 мм	
	Тип	Шина з кінцевою зірочкою	
Зірочка	Кількість зубців	6	
	Крок	3/8"	

Тип ланцюга для пили		91PX	
Кількість приводних ланок		40	
Шина	Довжина шини	250 мм	
	Довжина різання	244 мм	
	Крок	3/8"	
	Шкала регулювання	1,3 мм	
	Тип	Шина з кінцевою зірочкою	
Зірочка	Кількість зубців	6	
	Крок	3/8"	

Тип ланцюга для пили		25AP
Кількість приводних ланок		60
Шина	Довжина шини	250 мм
	Довжина різання	250 мм
	Крок	1/4"
	Шкала регулювання	1,3 мм
	Тип	Пиляльна шина
Зірочка	Кількість зубців	9
	Крок	1/4"

УВАГА: Ланцюг для пили 25AP слід використовувати із зірочкою 9 (продається окремо).

ПОПЕРЕДЖЕННЯ: Використовуйте належну комбінацію шини й ланцюгової пили. Інакше це може призвести до отримання травми.

СИМВОЛИ

Далі наведено символи, які застосовуються для позначення обладнання. Перед користуванням переконайтеся, що ви розумієте їхнє значення.



Читайте інструкцію з експлуатації.



Вдягайте захисні окуляри.



Користуйтеся засобами захисту органів слуху.



Обов'язково надягайте каску, захисні окуляри та засоби захисту органів слуху.



Використовуйте належний захист ніг та рук.



Ця пила призначена для використання тільки операторами, які мають належну підготовку.



Не піддавайте впливу вологи.



Максимальна допустима довжина різання



Під час роботи ланцюгову пилу слід тримати двома руками.



Напрямок пересування ланцюга



Регулювання змащування ланцюгової пили



Ni-MH
Li-Ion

Тільки для країн ЄС
Не викидайте електроприлади або акумуляторні батареї разом із побутовим сміттям!

Згідно з Європейськими директивами про утилізацію електричного та електронного обладнання та про утилізацію батарей і акумуляторів, а також батарей та акумуляторів, термін служби яких закінчився, та їх використанням із дотриманням національних законів, електричне обладнання, батареї та акумулятори, термін служби яких закінчився, потрібно збирати окремо та відправляти на екологічно чисті підприємства з їхньої переробки.

Призначення

Цей інструмент призначений для відрізання гілок й обрізки дерев. Він також може використовуватися для догляду за деревами.

Шум

Рівень шуму за шкалою А в типовому виконанні, визначений відповідно до стандарту IEC62841-4-1:

Модель DUC204

Рівень звукового тиску (L_{pA}): 92,2 дБ (А)

Рівень звукової потужності (L_{WA}): 103,2 дБ (А)

Похибка (К): 2,5 дБ (А)

Модель DUC254

Рівень звукового тиску (L_{pA}): 92,2 дБ (А)

Рівень звукової потужності (L_{WA}): 103,2 дБ (А)

Похибка (К): 2,5 дБ (А)

Модель DUC254C

Рівень звукового тиску (L_{pA}): 92,2 дБ (А)

Рівень звукової потужності (L_{WA}): 103,2 дБ (А)

Похибка (К): 2,5 дБ (А)

ПОПЕРЕДЖЕННЯ: Користуйтеся засобами захисту органів слуху.

Вібрація

Загальна величина вібрації (векторна сума трьох напрямків) визначена згідно з IEC62841-4-1:

Модель DUC204

Режим роботи: пиляння деревини

Вібрація ($a_{h,w}$): 3,1 м/с²

Похибка (К): 1,5 м/с²

Модель DUC254

Режим роботи: пиляння деревини

Вібрація ($a_{h,w}$): 3,1 м/с²

Похибка (K): 1,5 м/с²

Модель DUC254C

Режим роботи: пиляння деревини

Вібрація ($a_{h,w}$): 4,1 м/с²

Похибка (K): 1,5 м/с²

ПРИМІТКА: Заявлене значення вібрації було виміряно відповідно до стандартних методів тестування та може використовуватися для порівняння одного інструмента з іншим.

ПРИМІТКА: Заявлене значення вібрації може також використовуватися для попередньої оцінки впливу.

▲ ПОПЕРЕДЖЕННЯ: Залежно від умов використання вібрація під час фактичної роботи електроінструмента може відрізнятись від заявленого значення вібрації.

▲ ПОПЕРЕДЖЕННЯ: Забезпечте належні запобіжні заходи для захисту оператора, що відповідатимуть умовам використання інструмента (слід брати до уваги всі складові робочого циклу, такі як час, коли інструмент вимкнено та коли він починає працювати на холостому ході під час запуску).

Декларація про відповідність стандартам ЄС

Тільки для країн Європи

Декларацію про відповідність стандартам ЄС наведено в Додатку А до цієї інструкції з експлуатації.

ПОПЕРЕДЖЕННЯ ПРО ДОТРИМАННЯ ТЕХНІКИ БЕЗПЕКИ

Загальні застереження щодо техніки безпеки при роботі з електроінструментами

▲ ПОПЕРЕДЖЕННЯ: Уважно ознайомтеся з усіма попередженнями про дотримання правил техніки безпеки, інструкціями, ілюстраціями та технічними характеристиками, що стосуються цього електроінструмента. Невиконання будь-яких інструкцій, перелічених нижче, може призвести до ураження електричним струмом, пожежі та/або тяжких травм.

Збережіть усі інструкції з техніки безпеки та експлуатації на майбутнє.

Термін «електроінструмент», зазначений у інструкції з техніки безпеки, стосується електроінструмента, який функціонує від електромережі (електроінструмент з кабелем живлення), або електроінструмента з живленням від батареї (безпроводний електроінструмент).

Попередження про необхідну обережність під час роботи з акумуляторною ланцюговою пилою

1. Коли ланцюгова пила працює, слід тримати всі частини тіла подалі від пиляльного ланцюга. Перед тим як запускати ланцюгову пилу, слід перевірити, щоб пиляльний ланцюг нічого не торкався. Відволікання на короткий час під час роботи пили може призвести до того, що одяг буде затягнуто пиляльним ланцюгом.
2. Слід завжди тримати ланцюгову пилу правою рукою за верхню ручку, а лівою – за передню. Тримати ланцюгову пилу в інший спосіб заборонено, оскільки це підвищує ризик отримання травм, тому цього в жодному разі робити не можна.
3. Електроінструмент слід тримати тільки за ізольовані поверхні держака, оскільки пиляльний ланцюг може зачепити схований електропроводку. Торкання пиляльним ланцюгом проводки під напругою може призвести до передавання напруги до оголених металевих частин електроінструмента та до ураження оператора електричним струмом.
4. Слід одягати засоби захисту органів зору та слуху. Також рекомендується використовувати засоби захисту голови, рук, ніг та ступень. Належний захисний одяг знижує кількість травм від сміття, що розлітається, або від випадкового контакту з пиляльним ланцюгом.
5. Завжди зберігайте стійке положення.
6. Під час різання гілки, що перебуває в напруженому стані, слід стерегтись відскоку. Коли напруга волокон деревини знімається, то натягнута гілка може вдарити оператора та/або призвести до втрати ним контролю над пилою.
7. Слід бути дуже обережним під час обрізання кущів та порослі. Гнучкі гілки можуть бути затягнені в пиляльний ланцюг, та їх може потягнути у напрямку до оператора, або оператора може потягнути, і він втратить рівновагу.
8. Ланцюгову пилу слід переносити за передню ручку у вимкненому стані, відвернувши її від тіла. Під час перевезення або зберігання ланцюгової пили на неї слід завжди встановлювати кожух для шини. Вірне поводження з ланцюговою пилою знизить вірогідність випадкового контакту з пиляльним ланцюгом, що рухається.
9. Виконуйте вимоги інструкції щодо змащування, натягу ланцюга та заміни приладдя. Невірно натягнута або змащена пила може зламатись, або буде підвищено ризик віддачі.
10. Ручки повинні бути сухими, чистими та не забрудненими мастилом або жиром. Жирні або забруднені мастилом ручки є слизькими, що призводить до втрати контролю над інструментом.
11. Можна різати тільки деревину. Пиляльний ланцюг слід застосовувати тільки за призначенням. Наприклад, заборонено використовувати ланцюгову пилу для різання пластика, каменю або недерев'яних будівельних матеріалів. Використання ланцюгової пили не за призначенням може призвести до небезпечної ситуації.

12. **Причини та заходи запобігання віддачі:**
Якщо кінець шини торкається якогось предмета або коли дерев'яна деталь закривається та захищає ланцюг у пропилі, може трапитись віддача. Торкання кінцем в деяких випадках може призвести до раптової зворотної реакції, коли шину буде підкинуто дотри доки та назад у напрямку оператора. Затискання пиляльного ланцюга у верхній частині шини може призвести до різкого штовхання шини в напрямку оператора. Будь-яка з цих реакцій може призвести до втрати контролю над пилою, що, в свою чергу, може призвести до серйозних травм. Не слід покладатись лише на засоби безпеки, встановлені на пилі. Як користувач ланцюгової пили, ви повинні вжити кількох заходів, щоб захиститись від небезпесних випадків або поранень під час пиляння.
- Причинами віддачі є неправильне користування пилою та/або неправильний порядок або умови експлуатації. Її можна уникнути, вживши запобіжних заходів, що наведені нижче:

- Слід міцно тримати інструмент обома руками таким чином, щоб великий палець та інші пальці руки обгортати ручки ланцюгової пили, та розташовувати своє тіло та руки так, щоб була можливість утриматись у разі віддачі. Силу віддачі може контролювати користувач, за умови, що було вжито належних запобіжних заходів. Заборонено відпускати ланцюгову пилу.

► **Рис.1**

- Ніколи не слід тягнутися інструментом до робочої деталі та різати вище рівня плеча. Дотримання цих правил допоможе уникнути непередбачуваного контакту з ріжучою частиною пили та дозволить краще контролювати ланцюгову пилу в непередбачуваних ситуаціях.
 - Використовувати слід тільки запасні шини та ланцюги, вказані виробником. Використання невідповідних запасних шин та ланцюгів може призвести до поломок ланцюга та/або віддачі.
 - Слід дотримуватись інструкцій виробника щодо заточування та обслуговування пиляльного ланцюга. Зменшення висоти глибини реза може призвести до посилення віддачі.
13. **Перед початком роботи перевірте належну працездатність ланцюгової пили та відповідність її стану правилам техніки безпеки. Зокрема, слід перевірити, чи:**
- належним чином працює ланцюгове гальмо;
 - належним чином працює інерційне гальмо;
 - правильно встановлені шина та кришка зірочки;
 - ланцюг загострений та натягнутий згідно з правилами.
14. **Не запускайте ланцюгову пилу з установленою кришкою ланцюга.** Якщо запустити ланцюгову пилу з установленою кришкою ланцюга, остання може бути відкинута вперед, що може призвести до травм або до пошкодження предметів навколо оператора.

Спеціальні інструкції з техніки безпеки, які стосуються верхньої ручки ланцюгової пили

1. Ця ланцюгова пила призначена для догляду за деревами й обрізки. Використовувати цю пилу дозволяється тільки особам, які мають належну підготовку. Дотримуйтеся всіх інструкцій, процедур і рекомендацій, наданих відповідною професійною організацією. В іншому випадку можуть статися нещасні випадки зі смертельними наслідками. Для обрізки дерев рекомендується завжди використовувати підйомну платформу (автовишка, підйомник). Спуск по канату є надзвичайно небезпечним і вимагає спеціальної підготовки. Оператори повинні пройти підготовку з використання захисних пристосувань і для ознайомлення з прийомами лазіння. Під час виконання робіт на деревах завжди використовуйте відповідні ремені, троси й карабіни. Завжди використовуйте обмежувальний пристрій як для оператора, так і для пили.
2. Перед розміщенням на зберігання виконайте очищення й технічне обслуговування пили відповідно до інструкцій у посібнику з експлуатації.
3. У разі перевезення автотранспортом надійно закріпіть ланцюгову пилу в придатному місці, щоб уникнути витоку палива або мастила для ланцюга, пошкодження інструмента або травмування.
4. Регулярно перевіряйте працездатність ланцюгового гальма.
5. Не наповнюйте бак мастилом для ланцюга поблизу вогню. Не куріть під час наповнення бака мастилом для ланцюга.
6. Використання ланцюгових пил може бути обмежене державними нормами.
7. Якщо інструмент зазнав сильного удару або впавав, перевірте його стан, перш ніж продовжувати роботу. Переконайтеся в тому, що органи керування й запобіжні пристрої працюють справно. У разі виявлення пошкоджень або виникнення сумнівів зверніться до нашого авторизованого сервісного центру для проведення огляду інструмента та його ремонту.
8. Перед запуском ланцюгової пили завжди активуйте гальмо ланцюга.
9. Починаючи розпил, міцно утримуйте пилу, щоб уникнути зсуву (ковзання) або підстрибування пили.
10. Завершуючи розпил, будьте обережні й зберігайте баланс, який ви можете втратити через «провалювання».
11. Ураховуйте напрям і швидкість вітру. Уникайте впливу тирси й туману від масла для ланцюга.

Захисна екіпіровка

1. З метою уникнення травмування голови, органів зору й слуху, а також рук чи ніг під час роботи з ланцюговою пилою необхідно користуватися таким захисним обладнанням:

- Тип одягу має відповідати роботі, тобто одяг повинен прилягати до тіла, але не заважати в роботі. Не надягайте ювелірні прикраси або одяг, які можуть заплутатися в кущах або гілках. Якщо у вас довге волосся, надягайте сітку для волосся!
- Під час роботи з ланцюговою пилою обов'язково надягайте захисний шолом. **Захисний шолом** необхідно регулярно перевіряти на відсутність пошкоджень і замінювати не рідше ніж кожні 5 років. Використовуйте тільки офіційно затверджені моделі шоломів.
- **Захисна маска** шолому (або окулярів) забезпечує захист від тирси й деревної стружки. Під час роботи з ланцюговою пилою завжди надягайте окуляри або захисну маску для запобігання травмам очей.
- Використовуйте відповідне **оснащення для захисту від шуму** (навушники, беруші тощо)
- **Захисна куртка** складається з 22 шарів нейлонової й захищає оператора від порізів. Її завжди слід надягати під час роботи з піднятих платформ (автовишок, підйомників), з платформ, змонтованих на сходах, або в разі підйому по тротуарах.
- **Захисна обв'язка й фартух із нагрудником** виготовлені з 22 шарів нейлонової тканини та захищають від порізів. Настійно рекомендуємо їх використовувати.
- **Захисні рукавички**, виготовлені з товстої шкіри, слід завжди надягати під час роботи з ланцюговою пилою, оскільки вони відносяться до описаної захисної екіпіровки.
- Під час роботи з ланцюговою пилою також слід надягати **захисні черевки** або **захисне взуття** з протиковзною підошвою, сталевими носками й захистом ноги. Взуття зі спеціальним захисним шаром запобігає порізам і забезпечує стійке положення під час роботи. Для роботи на деревах використовуйте захисні черевки, які підходять для лазіння.

Вібрація

1. В осіб, що мають проблеми з кровообігом і перебувають під дією надмірних вібрацій, можуть виникати пошкодження кровоносних судин або нервової системи. Вібрація може спричинити вказані нижче симптоми, які з'являються в пальцях, руках чи зап'ястках: заціпеніння (оніміння), пощипування, біль, поколювання, зміна кольору шкіри. **У разі появи будь-якого з перелічених симптомів зверніться до лікаря!** Щоб зменшити ризик отримання синдрому білих пальців, слід тримати обладнання й приладдя в належному стані та дбати про те, щоб під час роботи руки залишалися теплими.

ЗБЕРІГАЙТЕ ЦІ ВКАЗІВКИ.

▲ПОПЕРЕДЖЕННЯ: **НИКОЛИ НЕ** втрачайте пильності та не розслабляйтеся під час користування виробом (що можливо при частому використанні); обов'язково строго дотримуйтеся відповідних правил безпеки. **НЕНАЛЕЖНЕ ВИКОРИСТАННЯ** або недотримання правил техніки безпеки, викладених у цій інструкції з експлуатації, може призвести до серйозних травм.

Важливі інструкції з безпеки для касети з акумулятором

1. **Перед тим як користуватися касетою з акумулятором, слід прочитати всі інструкції та застережні знаки щодо (1) зарядного пристрою акумулятора, (2) акумулятора та (3) виробів, що працюють від акумулятора.**
2. **Не слід розбирати касету з акумулятором.**
3. **Якщо період роботи дуже покоротшав, слід негайно припинити користування. Це може призвести до виникнення ризику перегріву, опіку та навіть вибуху.**
4. **У разі потраплення електrolіту в очі слід промити їх чистою водою та негайно звернутися до лікаря. Це може призвести до втрати зору.**
5. **Не закоротіть касету з акумулятором.**
 - (1) **Не слід торкатися клем будь-яким струмомпровідним матеріалом.**
 - (2) **Не слід зберігати касету з акумулятором у ємності з іншими металевими предметами, такими як цвяхи, монети тощо.**
 - (3) **Не залишайте касету з акумулятором під дощем, запобігайте контакту з водою.**

Коротке замикання може призвести до появи значного струму, перегріву, можливих опіків та навіть виходу з ладу.
6. **Не слід зберігати інструмент та касету з акумулятором в місцях, де температура може сягнути чи перевищити 50°C (122°F).**
7. **Не слід спалювати касету з акумулятором, навіть якщо вона була неодноразово пошкоджена або повністю спрацьована. Касета з акумулятором може вибухнути у вогні.**
8. **Не слід кидати або ударяти акумулятор.**
9. **Не слід використовувати пошкоджений акумулятор.**
10. **Літій-іонні акумулятори, що містяться в інструменті, мають відповідати вимогам законів про небезпечні товари.**

Під час транспортування за допомогою комерційних перевезень, наприклад із залученням третьої сторони та експедиторів, необхідно дотримуватись особливих вимог, вказаних на пакуванні й у маркуванні.

Під час підготування позиції до відправлення необхідно проконсультуватись зі спеціалістом з небезпечних матеріалів. Крім того, слід виконувати більш докладні національні настанови, якщо такі є.

Заклейте відкриті контакти стрічкою або заховайте їх і запакуйте акумулятор таким чином, щоб він не міг рухатися в пакуванні.

11. Дотримуйтеся норм місцевого законодавства щодо утилізації акумуляторів.
12. Використовуйте акумулятори лише з виробами, указаними компанією Makita. Установлення акумуляторів у невідповідні вироби може призвести до пожежі, надмірного нагрівання, вибуху чи витоку електроліту.

ЗБЕРІГАЙТЕ ЦІ ВКАЗІВКИ.

⚠ОБЕРЕЖНО: Використовуйте тільки акумулятори Makita. Використання акумуляторів, інших ніж оригінальні акумулятори Makita, або акумуляторів, конструкцію яких було змінено, може призвести до вибуху акумулятора і спричинити пожежу, травму або пошкодження. У зв'язку з цим також буде анульовано гарантію Makita на інструмент Makita і на зарядний пристрій.

Поради з забезпечення максимального строку експлуатації акумулятора

1. Касету з акумулятором слід заряджати до того, як він розрядиться повністю. Завжди слід зупиняти роботу інструмента та зарядити акумулятор, якщо ви помітили зменшення потужності інструмента.
2. Ніколи не слід заряджати повторно повністю заряджену касету з акумулятором. Перезарядження скорочує строк експлуатації акумулятора.
3. Заряджайте касету з акумулятором при кімнатній температурі 10°C—40°C (50°F—104°F). Перед тим як заряджати касету з акумулятором, слід зачекати, доки вона охолоне.
4. Якщо касета з акумулятором не використовувалася тривалий час (понад шість місяців), її слід зарядити.

ОПИС ДЕТАЛЕЙ

► Рис.2

1	Курок вмикача	2	Верхня ручка	3	Важіль блокування вимкненого положення
4	Передня захисна огорожа для рук	5	Шина	6	Пилальний ланцюг
7	Обмежувач ланцюга	8	Стопорна гайка	9	Гвинт регулювання ланцюга
10	Напрямна для стружки	11	Касета з акумулятором	12	Індикатор живлення
13	Вимикач живлення	14	Гвинт регулювання (для мастильного насоса)	15	Карабін
16	Передня ручка	17	Кришка мастильного бака	18	Кожух шини

ОПИС РОБОТИ

⚠ОБЕРЕЖНО: Обов'язково переконайтеся, що прилад вимкнено, а касету з акумулятором знято, перед регулюванням або перевіркою функціонування інструмента.

Встановлення та зняття касети з акумулятором

⚠ОБЕРЕЖНО: Завжди вимикайте інструмент перед встановленням або зняттям касети з акумулятором.

⚠ОБЕРЕЖНО: Під час встановлення або зняття касети з акумулятором слід міцно тримати інструмент та касету з акумулятором. Якщо ви утримуватимете інструмент та касету з акумулятором недостатньо міцно, вони можуть вислизнути з рук, що може призвести до пошкодження інструмента та касети з акумулятором або може спричинити травми.

► Рис.3: 1. Червоний індикатор 2. Кнопка 3. Касета з акумулятором

Щоб зняти касету з акумулятором, слід витягнути її з інструмента, натиснувши на кнопку в передній частині касети.

Щоб установити касету з акумулятором, слід сумістити виступ на касеті з акумулятором із пазом у корпусі та вставити касету на місце. Її необхідно вставити повністю, аж доки не почуєте клацання. Якщо на верхній частині кнопки помітний червоний індикатор, це означає, що касета з акумулятором установлена не до кінця.

⚠ОБЕРЕЖНО: Завжди вставляйте касету з акумулятором повністю, аж поки червоний індикатор стане невидимим. Якщо цього не зробити, касета може випадково випасти з інструмента та завдати травми вам або людям, що знаходяться поряд.

⚠ОБЕРЕЖНО: Не встановлюйте касету з акумулятором із зусиллям. Якщо касета не вставляється легко, то це означає, що ви її неправильно вставляєте.

Відображення залишкового заряду акумулятора

Тільки для касет з акумулятором, які мають індикатори

► Рис.4: 1. Індикаторні лампи 2. Кнопка перевірки

Натисніть кнопку перевірки на касеті з акумулятором для відображення залишкового ресурсу акумулятора. Індикаторні лампи загоряться на кілька секунд.

Індикаторні лампи			Залишковий ресурс
Горить	Вимк.	Блимає	
			від 75 до 100%
			від 50 до 75%
			від 25 до 50%
			від 0 до 25%
			Зарядіть акумулятор.
			Можливо, акумулятор вийшов з ладу.

ПРИМІТКА: Залежно від умов використання та температури оточуючого середовища показання можуть незначним чином відрізнятись від дійсного ресурсу.

Система захисту інструмента/акумулятора

Інструмент оснащено системою захисту інструмента/акумулятора. Це система автоматично вимикає живлення двигуна з метою збільшення терміну служби інструмента та акумулятора. Інструмент автоматично зупиняється під час роботи, якщо інструмент або акумулятор перебувають у зазначених нижче умовах.

Захист від перевантаження

Якщо через спосіб експлуатації акумулятор споживає аномально високий струм, він автоматично вимкнеться, а індикатор живлення почне блимати зеленим. У такому разі вимкніть інструмент і припиніть роботу, під час виконання якої інструмент зазнав перевантаження. Щоб перезапустити інструмент, увімкніть його знову.

Захист від перегрівання

Якщо інструмент або акумулятор перегрівся, інструмент автоматично вимикається, а індикатор живлення загоряється червоним. У такому випадку дозвольте інструменту й акумулятору охолонути, перш ніж знову вмикати інструмент.

ПРИМІТКА: Захист від перегріву з високою ймовірністю спрацює в умовах високої температури, а інструмент зупиниться автоматично.

Захист від надмірного розрядження

Якщо ємності акумулятора недостатньо, інструмент зупиниться автоматично, а індикатор живлення почне блимати червоним. У такому випадку вийміть акумулятор з інструмента й зарядіть його.

Вимикач живлення

ПОПЕРЕДЖЕННЯ: Завжди вимикайте вимикач живлення, коли не використовуєте пристрій.

Щоб увімкнути інструмент, натискайте на вимикач живлення, доки індикатор живлення не загориться зеленим. Для вимкнення знову натисніть вимикач живлення.

► Рис.5: 1. Індикатор живлення 2. Вимикач живлення

ПРИМІТКА: Індикатор живлення блимає зеленим, якщо натиснути на курок вимикача за недопустимих для роботи умов. Індикатор починає блимати в одному із зазначених нижче випадків.

- Якщо ви увімкнули вимикач живлення, утримуючи натиснутим важіль блокування у вимкненому положенні або курок вимкача.
- Якщо ви потягнули за курок вимкача за активованого гальма ланцюга.
- Якщо ви відпустили гальмо ланцюга, утримуючи важіль блокування у вимкненому положенні й курок вимкача натиснутими.

ПРИМІТКА: Ця ланцюгова пила має функцію автоматичного вимкнення. Щоб запобігти ненавмисному запуску, вимикач живлення буде автоматично вимикатися, якщо не натискати на курок вимкача протягом певного часу після ввімкнення вимикача живлення.

Інструмент можна використовувати в режимі підвищеного крутного моменту для зрізання товстих або твердих гілок. Для використання інструмента в режимі підвищеного крутного моменту натисніть вимикач живлення й утримуйте його кілька секунд, коли інструмент вимкнено, доки індикатор живлення не загориться жовтим.

ПРИМІТКА: Використовувати інструмент у режимі підвищеного крутного моменту можна максимум протягом 30 секунд. Залежно від умов використання перемикач в нормальний режим відбувається менш ніж через 30 секунд.

ПРИМІТКА: Якщо індикатор живлення блимає жовтим, коли ви натиснете перемикач живлення й утримуєте його натиснутим кілька секунд, режим підвищеного крутного моменту не буде доступний. У такому разі необхідно виконати вказані нижче дії.

- Режим підвищеного крутного моменту недоступний відразу після відрізання. Натисніть перемикач живлення не менше ніж через 10 секунд.
- З метою захисту акумулятора багаторазове використання режиму підвищеного крутного моменту обмежене. Якщо режим підвищеного крутного моменту не вмикається через 10 секунд, вставте повністю заряджену касету з акумулятором або замініть касету з акумулятором.

ПРИМІТКА: Якщо індикатор живлення загориться червоним або почне блимати червоним або зеленим, див. розділ інструкції із системи захисту інструмента або акумулятора.

ПРИМІТКА: Режим підвищеного крутного моменту не можна використовувати, якщо встановлено касету з акумулятором BL1815N, BL1820 або BL1820B.

Дія вмикача

▲ПОПЕРЕДЖЕННЯ: З міркувань безпеки цей інструмент обладнаний важелем блокування вимкненого положення, що запобігає ненавмисному запуску інструмента. **ЗАБОРОНЕНО** використовувати інструмент, якщо він запускається простим натисканням курка вмикача без натискання важеля блокування вимкненого положення. **ПЕРЕД** подальшим використанням інструмент слід передати до нашого авторизованого сервісного центру для ремонту.

▲ПОПЕРЕДЖЕННЯ: **ЗАБОРОНЕНО** фіксувати скотчем або іншим чином відключати функцію важеля блокування вимкненого положення.

▲ОБЕРЕЖНО: Перед тим як вставляти касету з акумулятором в інструмент, обов'язково перевірте, чи курок вмикача спрацьовує належним чином та повертається у положення «ВИМК.», коли його відпускають.

УВАГА: Не можна з силою натискати на курок вмикача, якщо важіль блокування вимкненого положення не натиснутий. Це може призвести до поломки вмикача.

Для запобігання випадковому натисненню курка вмикача передбачено важіль блокування у вимкненому положенні. Щоб запустити інструмент, натисніть важіль блокування у вимкненому положенні й потягніть курок вмикача. Швидкість обертання інструмента збільшується шляхом збільшення тиску на важіль/курок вмикача. Щоб зупинити роботу, відпустіть курок вмикача.

► **Рис.6:** 1. Курок вмикача 2. Важіль блокування вимкненого положення

Перевірка гальма ланцюга

▲ОБЕРЕЖНО: Під час увімкнення ланцюгової пили завжди тримайте її обома руками. Тримайтеся правою рукою за верхню ручку, а лівою – за передню ручку. Ані шина, ані ланцюг не повинні торкатися будь-яких предметів.

▲ОБЕРЕЖНО: Якщо ланцюгова пила одразу ж не зупинилася під час проведення цього випробування, цю пилу не можна використовувати за жодних обставин. Зверніться до нашого авторизованого сервісного центру.

1. Спочатку натисніть на важіль блокування вимкненого положення, а потім натисніть на курок вмикача. Пила одразу ж запуститься.
 2. Тильною стороною руки штовхніть уперед передню захисну огорожу для рук. Переконайтеся, що ланцюгова пила зупиняється негайно.
- **Рис.7:** 1. Передня захисна огорожа для рук 2. Розблоковане положення 3. Заблоковане положення

Перевірка інерційного гальма

▲ОБЕРЕЖНО: Якщо ланцюг для пили під час цього випробування не зупиняється протягом двох секунд, припиніть використання ланцюгової пили й зверніться до нашого авторизованого сервісного центру.

Запустіть ланцюгову пилу, після чого повністю відпустіть курок вмикача. Ланцюг для пили повинен зупинитись протягом двох секунд.

Регулювання змащування ланцюга

Швидкість подачі масла насосом можна корегувати регулювальним гвинтом за допомогою універсального ключа. Кількість мастила можна відрегулювати в 3 етапи.

► **Рис.8:** 1. Гвинт регулювання

Карабін (точка кріплення троса)

Ви можете повісити інструмент, прикріпивши трос до карабіна. Потягніть за карабін і потягніть у нього трос.

Електронні функції

Для полегшення роботи інструмент обладнано електронними функціями.

- Плавний запуск
Функція плавного запуску мінімізує ривок під час запуску та забезпечує плавний запуск інструмента.

ЗБОРКА

⚠ОБЕРЕЖНО: Обов'язково переконайтеся, що прилад вимкнено, а касету з акумулятором знято, перш ніж проводити будь-які роботи з інструментом.

⚠ОБЕРЕЖНО: Заборонено торкатися пиляльного ланцюга незахищеними руками. Під час роботи з пиляльним ланцюгом обов'язково одягайте рукавиці.

Знімання або встановлення пиляльного ланцюга

⚠ОБЕРЕЖНО: Після роботи пиляльний ланцюг та шина залишаються гарячими. Дайте їм достатньо охолонути перед виконанням будь-яких робіт на інструменті.

⚠ОБЕРЕЖНО: Установлювати та знімати пиляльний ланцюг слід у чистому місці, вільному від тирси і подібного сміття.

Щоб зняти пиляльний ланцюг, виконайте такі дії:

1. Відпустіть гальмо ланцюга, потягнувши за передній захист руки.
2. Відпустіть гвинт регулювання ланцюга, а потім і стопорну гайку.

► **Рис.9:** 1. Гвинт регулювання ланцюга
2. Стопорна гайка

3. Зніміть кришку зірочки, після чого зніміть пиляльний ланцюг і шину з корпусу ланцюгової пили. Щоб установити пиляльний ланцюг, виконайте такі дії:

1. Перевірте напрямок руху ланцюга для пили. Напрямок руху ланцюга для пили має збігатися з напрямком, позначеним відміткою на корпусі ланцюгової пили.

2. Помістіть один кінець ланцюга для пили на верхню частину шини.

3. Оберніть інший кінець ланцюга для пили навколо зірочки, потім прикріпіть шину до корпусу ланцюгової пили, сумістивши отвір на шині зі штифтом на корпусі ланцюгової пили.

► **Рис.10:** 1. Зірочка 2. Отвір

4. Вставте виступ на кришці зірочки в корпус ланцюгової пили й закрийте кришку таким чином, щоб болт і штифти на корпусі ланцюгової пили сумістилися з відповідними частинами на кришці.

► **Рис.11:** 1. Виступ 2. Кришка зірочки 3. Болт 4. Штифт

5. Затягніть стопорну гайку, щоб зафіксувати кришку зірочки, потім трохи ослабте її для регулювання натягу.

► **Рис.12:** 1. Стопорна гайка

Регулювання натягу пиляльного ланцюга

⚠ОБЕРЕЖНО: Не затягуйте пиляльний ланцюг занадто сильно. Надмірний натяг пиляльного ланцюга може призвести до розриву пиляльного ланцюга, зносу шини та пошкодження диска регулювання.

⚠ОБЕРЕЖНО: Слабко натягнутий ланцюг може зіскочити з шини, тим самим створюючи ризик нещасного випадку і травми.

Після багатьох годин роботи пиляльний ланцюг може послабитись. Слід періодично перевіряти натяг пиляльного ланцюга перед використанням.

1. Відпустіть гальмо ланцюга, потягнувши за передній захист руки.

2. Щоб злегка послабити кришку зірочки, трохи ослабте стопорну гайку.

► **Рис.13:** 1. Стопорна гайка

3. Трохи підніміть кінець шини й відрегулюйте натяг ланцюга. Щоб посилити натяг, поверніть гвинт регулювання ланцюга за годинниковою стрілкою, щоб послабити – проти годинникової стрілки.

Для полотен ланцюгів 90PX і 91PX:

Затягніть ланцюг для пили таким чином, щоб його нижня сторона увійшла в паз шини, як показано на рисунку.

► **Рис.14:** 1. Шина 2. Пиляльний ланцюг 3. Гвинт регулювання ланцюга

Для полотна ланцюгу 25AP:

Затягніть ланцюг для пили таким чином, щоб відстань між центром нижньої частини шини та ланцюгом дорівнювала 1 мм до 2 мм.

4. Утримуючи злегка шину, затягніть кришку зірочки.

Для полотен ланцюгів 90PX і 91PX:

Переконайтеся в тому, що ланцюг для пили з нижньої сторони шини не провисає.

Для полотна ланцюгу 25AP:

Переконайтеся в тому, що відстань між центром нижньої частини шини та ланцюгом для пили дорівнює 1 мм до 2 мм.

5. Щоб закріпити кришку зірочки, затягніть стопорну гайку.

► **Рис.15:** 1. Стопорна гайка

Переконайтеся, що пиляльний ланцюг щільно входить до нижньої сторони шини.

Зубчастий упор

Додаткове обладнання

Під час відрізання товстих гілок рекомендується використовувати зубчастий упор. Для установки зубчастого упору виконайте вказані нижче дії.

1. Зніміть кришку зірочки, ланцюг для пили й шину.

2. Сумістіть отвори на зубчастому упорі з отворами на корпусі ланцюгової пили та щільно затягніть гвинти.

► **Рис.16:** 1. Гвинт 2. Зубчастий упор

РОБОТА

Змащування

Ланцюг для пили автоматично змащується під час роботи інструмента. Періодично перевіряйте кількість мастила в мастильному баку через контрольне вікно рівня мастила.

Щоб заправити бак, покладіть ланцюгову пилу набік і зніміть кришку мастильного бака. Потрібна кількість мастила складає 140 мл. Після заправлення бака переконайтеся, що кришку мастильного бака надійно затягнуто.

- **Рис.17:** 1. Кришка мастильного бака
2. Контрольне вікно рівня мастила

Після заправки тримайте пилу на відстані від дерева. Запустіть її та заждіть, доки пиляльний ланцюг буде достатньо змащений.

- **Рис.18**

УВАГА: Під час першого заливання мастила для пиляльного ланцюга або під час заправки пустого бака мастило слід заливати до рівня нижньої частини заливної горловини. Інакше постачання мастила може бути утрудненим.

УВАГА: У якості мастила для ланцюга слід використовувати тільки мастило для ланцюгових пил Makita або еквівалентне мастило, що є у продажу.

УВАГА: Заборонено використовувати мастило, що містить частки пилу, або летуче мастило.

УВАГА: Під час обрізання дерев слід використовувати мастило рослинного походження. Мінеральне мастило може пошкодити дерева.

УВАГА: Перед тим як виконувати різання, слід перевірити, щоб кришка мастильного бака була належним чином загвинчена.

РОБОТА З ЛАНЦЮГОВОЮ ПИЛОЮ

⚠ОБЕРЕЖНО: У перший раз задля отримання досвіду користувачеві слід різати колоди на козлах для пиляння або на опорній рамі.

⚠ОБЕРЕЖНО: Під час пиляння попередньо нарізаній деревини використовуйте безпечну опору (козла для пиляння дров або опору раму). Заборонено притримувати деталі ногою або дозволяти комусь іншому тримати або притримувати деталь.

⚠ОБЕРЕЖНО: Круглі деталі слід закріплювати, щоб вони не обертались.

⚠ОБЕРЕЖНО: Коли працює мотор, забороняється наближати будь-які частини тіла до пиляльного ланцюга.

⚠ОБЕРЕЖНО: Коли працює мотор, слід міцно тримати ланцюгову пилу обома руками.

⚠ОБЕРЕЖНО: Не слід тягнутись занадто далеко. Завжди твердо стійте на ногах та тримайте рівновагу.

УВАГА: Заборонено кидати або випускати інструмент.

УВАГА: Заборонено закривати вентиляційні отвори інструмента.

Обрізка дерев

Перш ніж вмикати пилу, слід піднести корпус ланцюгової пили впритул до гілки, що різатиметься. Недотримання цієї вимоги може призвести до тремтіння шини, що може завдати травми оператору. Пиляйте деревину, що різатиметься, просто рухаючи її вниз під дією ваги ланцюгової пили.

- **Рис.19**

Якщо дерево розрізати за один прохід неможливо: трохи натисніть на ручку, продовжуйте пиляти й відтягніть пилу трохи назад.

- **Рис.20**

У разі відрізання товстих гілок спочатку виконайте неглибокий розріз знизу, після чого виконайте остаточний розріз зверху.

- **Рис.21**

Якщо ви спробуєте відрізати товсту гілку знизу, може статися затискання ланцюга для пили в розрізі. Якщо ви спробуєте відрізати товсту гілку зверху, не виконавши неглибокий розріз знизу, гілка може розколотися.

- **Рис.22**

Розпиляння

1. Використовуйте дерево, яке ви збираєтеся розпиляти, в якості опори для корпусу ланцюгової пили.

- **Рис.23**

2. Запустивши ланцюг для пили, зробіть пропили, використовуючи верхню ручку для того, щоб підняти пилу, а передню – щоб її направляти.

3. Продовжуйте пиляння, злегка натискаючи на верхню ручку й трохи відтягуючи пилу назад.

УВАГА: Коли треба зробити декілька розпилювань, пилу між розпилюваннями слід зупиняти.

⚠ОБЕРЕЖНО: Якщо для розпилювання використовувати верхній край шини, то пила може відскочити у ваш бік, якщо пиляльний ланцюг заклинить. Тому слід пиляти нижнім краєм, щоб пила відскочила в напрямку від вашого тіла.

- **Рис.24**

Якщо пиляєте дерево під навантаженням, спочатку пиляйте з боку прогину (А). Потім зробіть кінцевий пропили з боку натягу (В). Це запобігає заїданню шини.

- **Рис.25**

Обрізання сучків

⚠ОБЕРЕЖНО: Обрізання сучків повинно виконуватись спеціально навченими особами. Ризик віддачі створює небезпеку.

Під час обрізання сучків, якщо можливо, слід оберти пилу на стовбур. Не слід пиляти кінцем шини, оскільки це створює ризик віддачі. Особливу увагу слід приділяти гілкам, що знаходяться під навантаженням. Заборонено пиляти знизу гілки, що не мають опори. Заборонено стояти на стовбурі під час обрізання сучків.

Перенесення інструмента

Перш ніж переносити інструмент, слід завжди активувати гальмо ланцюга і знімати з інструмента касету з акумуляторами. Потім установіть кожух для шини. Касету з акумулятором слід також закрити кришкою.

► **Рис.26:** 1. Кожух шини 2. Кришка відсіку для акумулятора

ТЕХНІЧНЕ ОБСЛУГОВУВАННЯ

⚠ОБЕРЕЖНО: Перед здійсненням перевірки або обслуговування завжди перевіряйте, щоб інструмент був вимкнений, а касета з акумулятором була знята.

⚠ОБЕРЕЖНО: Під час перевірки або обслуговування слід бути в захисних рукавицях.

УВАГА: Ніколи не використовуйте газолін, бензин, розріджувач, спирт та подібні речовини. Їх використання може призвести до зміни кольору, деформації або появи тріщин.

Для забезпечення БЕЗПЕКИ та НАДІЙНОСТІ продукції, її ремонт, а також роботи з обслуговування або регулювання повинні виконуватись уповноваженими або заводськими сервісними центрами Makita із використанням запчастин виробництва компанії Makita.

Заточка пиляльного ланцюга

Пиляльний ланцюг слід заточити, коли:

- під час пиляння сирого дерева утворюється борошніста тирса;
- ланцюг входить в дерево насилу, навіть якщо застосувати силу;
- ріжуча кромка явно пошкоджена;
- пилу в деревині тягне праворуч або ліворуч. (це відбувається через нерівномірну заточку пиляльного ланцюга або пошкодження однієї сторони)

Слід часто заточувати пилу, але при цьому кожного разу сточувати небагато. Для повсякденного заточування зазвичай вистачає двох або трьох проходів напилком. Після того як пиляльний ланцюг був заточений декілька разів, його слід заточити в нашому авторизованому сервісному центрі.

Критерії заточки:

⚠ПОПЕРЕДЖЕННЯ: Надто велика відстань між ріжучою кромкою та глибиноміром збільшує ризик віддачі.

► **Рис.27:** 1. Довжина зубця 2. Відстань між ріжучою кромкою і глибиноміром 3. Мінімальна довжина зубців (3 мм)

- Довжина всіх зубців повинна бути однаковою. Якщо зубці будуть різної довжини, це заважатиме належній роботі пиляльного ланцюга і може призвести до його поломки.
- Заборонено заточувати ланцюг, якщо довжина зубців складає 3 мм або менше. У такому випадку слід замінити ланцюг.
- Товщина щіпки визначається відстанню між глибиноміром (круглим носком) та ріжучою кромкою.
- Найліпші результати пиляння досягаються за наступної відстані між ріжучою кромкою та глибиноміром.
 - Полотно ланцюга 90PX : 0,65 мм
 - Полотно ланцюга 91PX : 0,65 мм
 - Полотно ланцюга 25AP : 0,65 мм

► **Рис.28**

- Кут заточки всіх зубців повинен бути 30°. Неоднаковий кут заточки зубців призводить до нерівномірної та ускладненої роботи ланцюга, що прискорює його знос і призводить до його поломки.
- Використовуйте придатний круглий напилком, щоб підтримувати належний кут заточки зубців.
 - Полотно ланцюга 90PX : 55°
 - Полотно ланцюга 91PX : 55°
 - Полотно ланцюга 25AP : 55°

Напилком та направлення напилка

- Для заточки ланцюга слід використовувати спеціальний круглий напилком для пиляльних ланцюгів (додаткове приладдя). Звичайні круглі напилки не підходять.
 - Діаметр круглого напилка для кожного пиляльного ланцюга такий:
 - Полотно ланцюга 90PX : 4,5 мм
 - Полотно ланцюга 91PX : 4,0 мм
 - Полотно ланцюга 25AP : 4,0 мм
 - Напилком повинен обробляти зубець тільки під час руху вперед. Під час зворотного руху напилком слід піднімати над зубцем.
 - Спочатку слід заточити найкоротший зубець. Потім довжина цього найкоротшого зубця стає стандартом для всіх інших зубців на пиляльному ланцюзі.
 - Направляйте напилком, як показано на малюнку.
- **Рис.29:** 1. Напилком 2. Пиляльний ланцюг

- Напилек легше направляти, якщо використувати держак для напилка (додаткова приналежність). На держак для напилка є мітки вірного кута заточки 30° (слід виставити мітки паралельно пиляльному ланцюгу); він також обмежує глибину проникнення (на 4/5 діаметра напилка).

► **Рис.30:** 1. Держак для напилка

- Після заточки ланцюга слід перевірити висоту глибиноміра, використовуючи шуп для пиляльного ланцюга (додаткова приналежність).

► **Рис.31**

- Слід видалити навіть найменші виступи матеріалу за допомогою спеціального плаского напилка (додаткова приналежність).
- Ще раз закругліть передню частину глибиноміра.

Чищення шини

Щіпки та тирса накопичуються в пазу шини. Вони можуть забити паз шини і перешкодити постачанню мастила. Під час заточки або заміни пиляльного ланцюга слід завжди вичищати тирсу та щіпки.

► **Рис.32**

Чищення кришки зірочки

Щіпки та тирса накопичуються всередині кришки зірочки. Зніміть кришку зірочки й пиляльний ланцюг з інструмента, після чого вичистіть тирсу та щіпки.

► **Рис.33**

Чищення отвору впорскування мастила

Протягом роботи в отворі впорскування мастила може накопичуватись дрібний пил або частки. Дрібний пил або частки, що накопичуються в мастильному фільтрі, перешкоджають постачанню мастила та призводять до недостатнього змащення всього пиляльного ланцюга. У разі недостатнього постачання мастила у верхню частину шини слід очистити отвір впорскування мастила наступним чином.

1. Зніміть кришку зірочки та пиляльний ланцюг з інструмента.

2. Видаляйте дрібний пил або частки за допомогою викруткі із шліцьовим наконечником та тонким стрижнем або за допомогою подібного предмета.

► **Рис.34:** 1. Шліцьова викрутка 2. Отвір впорскування мастила

3. Вставте касету з акумулятором в інструмент. Натисніть на курок вмикача, щоб змити накопичений пил шляхом упорскування мастила для ланцюга.

4. Зніміть касету з акумулятором з інструмента. Встановіть на місце кришку зірочки та пиляльний ланцюг.

Заміна зірочки

⚠ОБЕРЕЖНО: Зношена зірочка може спричинити пошкодження нового пиляльного ланцюга. У такому випадку зірочку необхідно замінити.

Перед тим як встановлювати новий ланцюг, слід перевірити стан зірочки.

► **Рис.35:** 1. Зірочка 2. Місце зношення

У разі заміни зірочки слід завжди замінювати стопорне кільце.

► **Рис.36:** 1. Стопорне кільце 2. Зірочка

УВАГА: Переконайтеся, що зірочка встановлена, як показано на малюнку.

Зберігання інструмента

1. Перед зберіганням інструмент треба вичистити. Після зняття кришки зірочки з інструмента необхідно видалити всі щіпки та тирсу.

2. Після чищення інструмента йому слід дати попрацювати без навантаження для того, щоб змастити пиляльний ланцюг та шину.

3. Закрийте шину кожухом шини.

4. Спорожніть мастильний бак.

Інструкції щодо періодичного обслуговування

Щоб забезпечити тривалий термін служби, попередити пошкодження та гарантувати повноцінне функціонування засобів безпеки, слід регулярно виконувати такі роботи з технічного обслуговування інструмента. Претензії в рамках гарантійних зобов'язань приймаються тільки тоді, коли ці роботи регулярно проводились належним чином. Невиконання зазначених робіт із технічного обслуговування може призвести до нещасних випадків! Користувачу ланцюгової пили не дозволяється проводити роботи з технічного обслуговування, які не зазначені в цій інструкції з експлуатації. Усі такі роботи повинні здійснюватися в нашому авторизованому сервісному центрі.

Об'єкт перевірки / Час роботи	Перед початком роботи	Щодня	Щотижня	Кожні 3 місяці	Щороку	Перед зберіганням
Ланцюгова пила	Оглянути.	✓	-	-	-	-
	Очистити.	-	✓	-	-	-
	Перевірити в авторизованому сервісному центрі.	-	-	-	✓	✓
Пиляльний ланцюг	Оглянути.	✓	-	-	-	-
	Заточити в разі необхідності.	-	-	-	-	✓
Шина	Оглянути.	✓	✓	-	-	-
	Зняти з ланцюгової пили.	-	-	-	-	✓
Гальмо ланцюга	Перевірити функціонування.	✓	-	-	-	-
	Робити регулярний огляд у сервісному центрі.	-	-	-	✓	-
Змащування ланцюга	Перевірити рівень постачання мастила.	✓	-	-	-	-
Курок вмикача	Оглянути.	✓	-	-	-	-
Важіль блокування вимкненого положення	Оглянути.	✓	-	-	-	-
Кришка мастильного бака	Перевірити надійність затягнення.	✓	-	-	-	-
Обмежувач ланцюга	Оглянути.	-	-	✓	-	-
Гвинти та гайки	Оглянути.	-	-	✓	-	-

УСУНЕННЯ НЕСПРАВНОСТЕЙ

Перш ніж звертатися з приводу ремонту інструмента, проведіть його перевірку самостійно. У разі виявлення несправності, яку не описано в цьому посібнику, не намагайтеся розібрати інструмент. Натомість зверніться до авторизованих сервісних центрів Makita та використовуйте для ремонту тільки запасні частини виробництва компанії Makita.

Статус несправності	Причина	Дія
Ланцюгова пила не запускається.	Касета з акумулятором не встановлена.	Вставте заряджену касету з акумулятором.
	Проблема з акумулятором (низька напруга).	Зарядіть касети з акумуляторами. Якщо зарядження не призвело до бажаного результату, замініть касету з акумулятором.
	Вимикач живлення вимкнений.	Ланцюгова пила автоматично вимикається, якщо нею не користуються протягом певного часу. Знову ввімкніть вимикач живлення.
Пиляльний ланцюг не рухається.	Гальмо ланцюга активоване.	Відпустіть гальмо ланцюга.
Мотор перестає працювати після короткочасного використання.	Низький рівень заряду акумулятора.	Зарядіть касети з акумуляторами. Якщо зарядження не призвело до бажаного результату, замініть касету з акумулятором.
На ланцюзі немає мастила.	Масильний бак порожній.	Заповніть масильний бак.
	Забруднений напрямний паз для мастила.	Прочистіть паз.
	Погане постачання мастила.	Відрегулюйте кількість мастила, що постачається, за допомогою гвинта регулювання.
Ланцюгова пила не досягає максимальної швидкості обертання.	Касету з акумулятором встановлено неправильно.	Встановіть касети з акумуляторами, як описано в цьому посібнику.
	Заряд акумулятора зменшується.	Зарядіть касету з акумулятором. Якщо зарядження не призвело до бажаного результату, замініть касету з акумулятором.
	Система приводу працює неправильно.	Звертайтеся до авторизованого сервісного центру у вашому регіоні для проведення ремонту.
Індикатор живлення блимає зеленим.	Курок вмикача натиснуто за недопустимих для роботи умов.	Знову натисніть на курок вмикача, після того як вимикач живлення буде ввімкнено й гальмо ланцюга буде звільнено.
Ланцюг не зупиняється, навіть коли гальмо ланцюга активовано: негайно зупиніть інструмент!	Зношена стрічка гальма.	Звертайтеся до авторизованого сервісного центру у вашому регіоні для проведення ремонту.
Аномальна вібрація: негайно зупиніть інструмент!	Послабте шину або пиляльний ланцюг.	Відрегулюйте шину та натяг пиляльного ланцюга.
	Інструмент несправний.	Звертайтеся до авторизованого сервісного центру у вашому регіоні для проведення ремонту.
Режим підвищеного крутного моменту недоступний після встановлення повністю зарядженої касети з акумулятором.	Залежно від умов використання режим підвищеного крутного моменту може бути недоступним після заміни касети з акумулятором.	Використовуйте інструмент у нормальному режимі, доки вставлена касета з акумулятором не розрядиться, після чого вставте повністю заряджену касету з акумулятором або зарядіть касету з акумулятором.

ДОДАТКОВЕ ПРИЛАДДЯ

⚠ОБЕРЕЖНО: Це додаткове та допоміжне обладнання рекомендовано використовувати з інструментом Makita, зазначеним у цій інструкції з експлуатації. Використання будь-якого іншого додаткового та допоміжного обладнання може становити небезпеку травмування. Використовуйте додаткове та допоміжне обладнання лише за призначенням.

У разі необхідності отримати допомогу в більш детальному ознайомленні з оснащенням звертайтеся до місцевого сервісного центру Makita.

- Пиляльний ланцюг
- Шина
- Кожух шини
- Зірочка
- Зубчастий упор
- Напилок
- Сумка для інструмента
- Оригінальний акумулятор та зарядний пристрій Makita

⚠ПОПЕРЕДЖЕННЯ: Якщо ви придбали шину іншої довжини, ніж стандартна, слід також придбати разом із нею відповідний кожух шини. Він має підходити до шини ланцюгової пили й повністю закривати її.

ПРИМІТКА: Деякі елементи списку можуть входити до комплекту інструмента як стандартне приладдя. Вони можуть відрізнятися залежно від країни.

SPECIFICAȚII

Model:		DUC204	DUC254	DUC254C
Lungime totală (fără lama de ghidare)		256 mm		
Tensiune nominală		18 V cc.		
Greutate netă		2,8 - 3,3 kg		
Lungime standard pentru lama de ghidare		200 mm	250 mm	
Lungime recomandată pentru lama de ghidare	cu 90PX	200 - 250 mm		-
	cu 91PX	-	250 mm	-
	cu 25AP	-		250 mm
Tip aplicabil de lanț de ferăstrău (consultați tabelul de mai jos)		90PX	90PX 91PX	25AP
Roată de lanț standard	Număr de dinți	6		9
	Pas	3/8"		1/4"
Viteza lanțului		0 - 24 m/s (0 - 1.440 m/min)		0 - 22,5 m/s (0 - 1.350 m/min)
Volumul rezervorului pentru ulei de lanț		140 cm ³		

- Datorită programului nostru continuu de cercetare și dezvoltare, specificațiile pot fi modificate fără o notificare prealabilă.
- Specificațiile pot varia în funcție de țară.
- Greutatea poate diferi în funcție de accesoriu(ii), inclusiv cartușul acumulatorului. În tabel se prezintă combinația cea mai ușoară și cea mai grea, conform Procedurii EPTA 01/2014.

Cartușul acumulatorului aplicabil

BL1815N / BL1820 / BL1820B / BL1830 / BL1830B / BL1840 / BL1840B / BL1850 / BL1850B / BL1860B

- Este posibil ca unele cartușe ale acumulatorilor menționate mai sus să nu fie disponibile în funcție de regiunea dvs. de reședință.

⚠️ AVERTIZARE: Utilizați numai cartușele de acumulator enumerate mai sus. Utilizarea oricărui altor cartușe de acumulator poate duce la rănire și/sau incendiu.

Combinație de lanț de ferăstrău, lamă de ghidare și roată de lanț

Tip de lanț de ferăstrău		90PX	
Numărul organelor de transmisie		33	40
Lamă de ghidare	Lungime lamă de ghidare	200 mm	250 mm
	Lungime de tăiere	180 mm	244 mm
	Pas	3/8"	
	Etalon	1,1 mm	
	Tip	Bară frontală de roată dințată	
Roată de lanț	Număr de dinți	6	
	Pas	3/8"	

Tip de lanț de ferăstrău		91PX	
Numărul organelor de transmisie		40	
Lamă de ghidare	Lungime lamă de ghidare	250 mm	
	Lungime de tăiere	244 mm	
	Pas	3/8"	
	Etalon	1,3 mm	
	Tip	Bară frontală de roată dințată	
Roată de lanț	Număr de dinți	6	
	Pas	3/8"	

Tip de lanț de ferăstrău		25AP
Numărul organelor de transmisie		60
Lamă de ghidare	Lungime lamă de ghidare	250 mm
	Lungime de tăiere	250 mm
	Pas	1/4"
	Etalon	1,3 mm
	Tip	Bară de ghidare
Roată de lanț	Număr de dinți	9
	Pas	1/4"

NOTĂ: Atunci când utilizați lanțul de ferăstrău 25AP, utilizați-l împreună cu roata de lanț 9 (accesoriu opțional).

AVERTIZARE: Utilizați combinația corespunzătoare de lamă de ghidare și lanț de ferăstrău. În caz contrar, există pericolul de rănire.

Simboluri

Mai jos sunt prezentate simbolurile de pe echipament. Asigurați-vă că înțelegeți sensul acestora înainte de utilizare.



Citiți manualul de utilizare.



Purtați ochelari de protecție.



Purtați echipament de protecție pentru urechi.



Purtați cască de protecție, ochelari și protecție pentru urechi.



Utilizați protecții adecvate pentru picioare și labele picioarelor și pentru mâini și brațe.



Acest ferăstrău trebuie utilizat doar de operatori instruiți în mod corespunzător.



Nu expuneți la umezeală.



Lungime de tăiere maximă permisă



Folosii întotdeauna ambele mâini atunci când utilizați ferăstrăul cu lanț.



Direcția de deplasare a lanțului



Ajustare ulei pentru lanțul de ferăstrău



Doar pentru țările din cadrul UE
Nu aruncați aparatele electrice sau acumulatorii în gunoii menajer!

În conformitate cu Directiva europeană privind deșeurile de echipamente electrice și electronice, bateriile și acumulatorii, precum și bateriile și acumulatorii reziduale și implementarea acestora conform legislației naționale, echipamentele electrice și bateriile și acumulatorii care au ajuns la sfârșitul duratei de viață trebuie colectate separat și reciclate corespunzător în vederea protejării mediului.

Destinația de utilizare

Mașina este destinată tăierii crengilor și curățării arborilor. Aceasta este, de asemenea, potrivită și pentru întreținerea arborilor.

Zgomot

Nivelul de zgomot normal ponderat A determinat în conformitate cu IEC62841-4-1:

Model DUC204

Nivel de presiune acustică (L_{pA}): 92,2 dB(A)

Nivel de putere acustică (L_{WA}): 103,2 dB (A)

Marjă de eroare (K): 2,5 dB(A)

Model DUC254

Nivel de presiune acustică (L_{pA}): 92,2 dB(A)

Nivel de putere acustică (L_{WA}): 103,2 dB (A)

Marjă de eroare (K): 2,5 dB(A)

Model DUC254C

Nivel de presiune acustică (L_{pA}): 92,2 dB(A)

Nivel de putere acustică (L_{WA}): 103,2 dB (A)

Marjă de eroare (K): 2,5dB(A)

AVERTIZARE: Purtați echipament de protecție pentru urechi.

Vibrații

Valoarea totală a vibrațiilor (suma vectorilor tri-axiali) determinată conform IEC62841-4-1:

Model DUC204

Mod de lucru: tăiere lemn

Emisie de vibrații ($a_{h,W}$): 3,1 m/s²

Marjă de eroare (K): 1,5 m/s²

Model DUC254

Mod de lucru: tăiere lemn

Emisie de vibrații ($a_{h,W}$): 3,1 m/s²

Marjă de eroare (K): 1,5 m/s²

Model DUC254C

Mod de lucru: tăiere lemn

Emisie de vibrații ($a_{h,W}$): 4,1 m/s²

Marjă de eroare (K): 1,5 m/s²

NOTĂ: Nivelul de vibrații declarat a fost măsurat în conformitate cu metoda de test standard și poate fi utilizat pentru compararea unei uneelte cu alta.

NOTĂ: Nivelul de vibrații declarat poate fi, de asemenea, utilizat într-o evaluare preliminară a expunerii.

⚠️ AVERTIZARE: Nivelul de vibrații în timpul utilizării efective a unelei electrice poate diferi de valoarea nivelului declarat, în funcție de modul în care unealta este utilizată.

⚠️ AVERTIZARE: Asigurați-vă că identificați măsurile de siguranță pentru a proteja operatorul, acestea fiind bazate pe o estimare a expunerii în condiții reale de utilizare (luând în considerare toate părțile ciclului de operare, precum timpii în care unealta a fost oprită, sau a funcționat în gol, pe lângă timpul de declanșare).

Declarație de conformitate CE

Numai pentru țările europene

Declarația de conformitate CE este inclusă ca Anexa A în acest manual de instrucțiuni.

AVERTIZĂRI DE SIGURANȚĂ

Avertismente generale de siguranță pentru mașinile electrice

⚠️ AVERTIZARE: Citiți toate avertismentele privind siguranța, instrucțiunile, ilustrațiile și specificațiile furnizate cu această sculă electrică. Nerespectarea integrală a instrucțiunilor de mai jos poate cauza electrocutări, incendii și/sau vătămări corporale grave.

Păstrați toate avertismentele și instrucțiunile pentru consultări ulterioare.

Termenul „mașină electrică” din avertisări se referă la mașinile dumneavoastră electrice acționate de la rețea (prin cablu) sau cu acumulator (fără cablu).

Avertisări privind siguranța ferăstrăului cu lanț fără cablu

- Țineți toate părțile corpului la distanță de lanțul ferăstrăului în timpul funcționării ferăstrăului. Înainte de a porni ferăstrăul cu lanț asigurați-vă că lanțul acestuia nu atinge nimic.** Un moment de neatenție în timp ce utilizați ferăstrăul cu lanț poate duce la prinderea hainelor sau corpului dumneavoastră în lanțul ferăstrăului.
- Țineți întotdeauna ferăstrăul cu lanț cu mâna dreaptă pe mânerul superior și cu mâna stângă pe mânerul frontal.** Ținerea ferăstrăului cu o configurație inversată a mâinilor crește riscul de rănire corporală și nu trebuie făcută niciodată.
- Țineți mașina electrică doar de suprafețele de prindere izolate, deoarece lanțul ferăstrăului poate intra în contact cu fire ascuse.** Lanțurile de ferăstrău care intră în contact cu un fir sub tensiune vor pune sub tensiune și componentele metalice expuse ale mașinii electrice, existând pericolul ca operatorul să se electrocuteze.

- Purtați viziera și mijloace de protecție a auzului.** Suplimentar este recomandat echipamentul de protecție pentru cap, mâini, labela picioarelor și picioare. Îmbrăcămintea adecvată de protecție va reduce riscul rănirii personale datorită resturilor proiectate sau contactului accidental cu lanțul ferăstrăului.
- Păstrați-vă întotdeauna echilibrul.**
- Când tăiați o ramură care este tensionată aveți grijă la destinderea acesteia.** Atunci când este eliminată tensiunea din fibrele lemnului, ramura arcuită poate lovi operatorul și/sau produce aruncarea ferăstrăului cu lanț în afara controlului.
- Fiți extrem de precauți atunci când tăiați tufișuri sau pomi tineri.** Materialul suplu poate prinde lanțul ferăstrăului și poate fi biciuit către dumneavoastră sau vă poate trage și dezechilibra.
- Transportați ferăstrăul cu lanț ținându-l de mânerul din față, oprit și la depărtare de corpul dumneavoastră. Întotdeauna montați capacul lamei de ghidare când transportați sau depozitați ferăstrăul cu lanț.** Manipularea adecvată a ferăstrăului cu lanț va reduce probabilitatea contactului accidental cu lanțul în mișcare al ferăstrăului.
- Respectați instrucțiunile pentru lubrifiere, tensiunarea lanțului și schimbarea accesoriilor.** Lanțul tensionat sau lubrifiat necorespunzător se poate rupe sau poate crește posibilitatea producerii unui recul.
- Asigurați-vă că aveți mâinile uscate, curate și fără ulei sau unsoare.** Mănerile unsoase, uleioase sunt alunecoase și pot produce pierderea controlului.
- Tăiați numai lemn. Nu folosiți ferăstrăul cu lanț în alte scopuri decât cele pentru care a fost destinat.** De exemplu: nu utilizați ferăstrăul cu lanț pentru tăierea plasticului, zidăriei sau materialelor de construcție care nu sunt lemnoase. Utilizarea ferăstrăului pentru operațiuni diferite față de cele pentru care a fost destinat poate avea ca rezultat producerea unei situații periculoase.
- Cauzele și modul de prevenire al reculului:** Reculul poate apărea când nasul sau vârful lamei de ghidare atinge un obiect sau când lemnul se strânge și prinde lanțul ferăstrăului în tăietură. În unele cazuri, contactul vârfului poate produce o reacție inversă neașteptată, smucind lama de ghidare în sus și înapoi, pe direcția operatorului. Strangularea lanțului ferăstrăului de-a lungul părții superioare a lamei de ghidare poate împinge brusc lama de ghidare înapoi spre operator. Oricare dintre aceste reacții poate produce pierderea controlului asupra ferăstrăului, ceea ce poate produce vătămarea corporală gravă. Nu vă bazați exclusiv pe dispozitivele de siguranță încorporate în ferăstrău. Ca utilizator de ferăstrău cu lanț, trebuie să parcurgeți câteva etape pentru a menține activitatea de tăiere fără accidente sau răniri. Reculul este rezultatul utilizării incorecte a ferăstrăului și/sau al procedurilor sau condițiilor de lucru necorespunzătoare, putând fi evitat prin adoptarea unor măsuri de precauție adecvate prezentate în continuare:

- Mențineți o prindere fermă, cu degetele mari și celelalte degete înconjurând mânerul ferăstrăului cu lanț, cu ambele mâini pe ferăstrău și poziționați-vă corpul și brațul astfel încât să permită opunerea la forțele de recul. Forțele de recul pot fi controlate de către operator, dacă sunt luate măsurile de precauție adecvate. Nu scăpați ferăstrăul cu lanț.
- Fig.1
- Nu depășiți nivelul umărului și nu efectuați tăieri deasupra înălțimii umărului. Aceasta vă va ajuta să preveniți contactul neintenționat al vârfului și va permite un control mai bun al ferăstrăului cu lanț în situații neprevăzute.
 - Utilizați doar lamele și lanțurile de schimb specificate de producător. Lamele și lanțurile de schimb incorecte pot cauza ruperea lanțului și/sau recul.
 - Pentru ascuțirea și întreținerea ferăstrăului cu lanț, respectați instrucțiunile producătorului. Scăderea înălțimii indicatorului de adâncime poate conduce la recul mărit.
13. **Înainte de începerea lucrului, verificați dacă ferăstrăul cu lanț funcționează corespunzător și dacă starea acestuia corespunde normelor de tehnică a securității. Verificați în special dacă:**
- Frâna de lanț funcționează corect;
 - Frâna de siguranță funcționează corect;
 - Lama și apărătoarea roții de lanț sunt instalate corect;
 - Lanțul a fost ascuțit și tensionat în conformitate cu reglementările.
14. **Nu porniți ferăstrăul cu lanț cu apărătoarea de lanț instalată pe acesta.** Pornirea ferăstrăului cu lanț cu apărătoarea de lanț instalată poate duce la proiectarea în față a acesteia, rezultând răni și deteriorări ale obiectelor din jurul operatorului.

Avertizări de siguranță specifice ferăstrăului cu lanț cu mâner superior

1. **Acest ferăstrău cu lanț este destinat în special întreținerii și curățării arborilor. Ferăstrăul cu lanț trebuie utilizat doar de operatori instruiți în mod corespunzător. Respectați toate instrucțiunile, procedurile și recomandările organizației profesionale relevante. În caz contrar, se pot produce accidente fatale. Vă recomandăm să utilizați întotdeauna o platformă de ridicare (elevador, dispozitiv de ridicare) pentru tăierea arborilor. Tehnicile rapelului sunt extrem de periculoase și necesită instruire specială. Operatorii trebuie să fie instruiți pentru a se familiariza cu utilizarea echipamentului de siguranță și cu tehnicile de cățărare. Utilizați întotdeauna centuri, frânghii și carabiniere adecvate atunci când lucrați în arbori. Utilizați întotdeauna echipament de fixare atât pentru operator, cât și pentru ferăstrău.**
2. **Realizați operațiunile de curățare și întreținere înainte de depozitare, în conformitate cu manualul de instrucțiuni.**

3. **Asigurați-vă că ferăstrăul cu lanț este poziționat ferm în timpul transportului rutier pentru a evita scurgerile de combustibil și ulei de lanț, deteriorarea mașinii și accidentarea.**
4. **Verificați periodic funcționarea frânei de lanț.**
5. **Nu completați uleiul de lanț lângă foc. Nu fumați niciodată atunci când completați uleiul de lanț.**
6. **Reglementările naționale pot restricționa utilizarea ferăstrăului cu lanț.**
7. **Dacă echipamentul suferă un impact puternic sau cade, verificați starea acestuia înainte de a continua lucrul. Verificați dacă există defecțiuni ale comenzilor și ale dispozitivelor de siguranță. Dacă există țavarii, sau starea produsului este incertă, contactați centrul nostru de service autorizat pentru inspecție și reparații.**
8. **Activați întotdeauna frâna de lanț înainte de a porni ferăstrăul cu lanț.**
9. **Țineți ferm ferăstrăul în poziție pentru a evita derapajul (deplasarea prin alunecare) sau saltul ferăstrăului în momentul începerii operațiunii de tăiere.**
10. **La finalul operațiunii de tăiere, aveți grijă să vă mențineți echilibrul în timpul „căderii”.**
11. **Țineți cont de direcția și viteza vântului. Evitați rumegușul și pulverizarea fină a uleiului de lanț.**

Echipament de protecție

1. **Pentru a evita vătămarea capului, a ochilor, a mâinilor sau a picioarelor, precum și pentru a vă proteja auzul, trebuie să purtați următoarele echipamente de protecție în timpul utilizării ferăstrăului cu lanț:**
 - Îmbrăcămintea trebuie să fie adecvată, și anume trebuie să fie strânsă pe corp atât cât să nu vă împiedice. Nu purtați bijuterii sau haine care se pot agăța în tufișuri și lăstăriș. Dacă aveți părul lung, purtați întotdeauna o plasă pentru păr!
 - Este necesar să purtați o cască de protecție ori de câte ori lucrați cu ferăstrăul cu lanț. **Casca de protecție** trebuie verificată la intervale regulate pentru semne de deteriorare și trebuie înlocuită cel mult după 5 ani. Utilizați numai căști de protecție aprobate.
 - **Masca de protecție** a căștii de protecție (sau ochelarii de protecție) vă protejează împotriva rumegușului și a așchiilor. În timpul utilizării ferăstrăului cu lanț, purtați întotdeauna ochelari de protecție sau o mască de protecție pentru a preveni vătămarea ochilor.
 - Purtați **echipamentul adecvat de protecție împotriva zgomotului** (antifoane pentru urechi, dopuri pentru urechi etc.)
 - **Jacheta de protecție** este alcătuită din 22 de straturi de nylon și protejează operatorul împotriva tăieturilor. Aceasta trebuie purtată întotdeauna în timpul lucrului pe platforme de ridicare (elevatoare, dispozitive de ridicare), pe platforme montate pe scări sau atunci la cățărarea cu frânghii.

- **Salopeta de protecție cu bretele și pieptar** este confecționată dintr-un material din nylon cu 22 de straturi și vă protejează împotriva tăieturilor. Recomandăm insistent purtarea acesteia.
- **Mănușile de protecție** fabricate din piele groasă fac parte din echipamentul recomandat și trebuie purtate întotdeauna în timpul utilizării ferăstrăului cu lanț.
- În timpul utilizării ferăstrăului cu lanț, trebuie să purtați întotdeauna **papuci de protecție sau bocanci de protecție** dotați cu o talpă antiderapantă, vârfuri din oțel și protecție pentru picior. Papucii de protecție dotați cu un strat de protecție asigură protecția împotriva tăieturilor și un echilibru bun. Dacă lucrați în arbori, bocancii de protecție trebuie să fie adecvați pentru tehnicile de cățărare.

Vibrații

1. Persoanele care au probleme cu circulația sângelui și care sunt expuse la vibrații excesive pot suferi leziuni ale vaselor de sânge sau ale sistemului nervos. Vibrațiile pot produce apariția următoarelor simptome în degete, mâini sau încheieturi: „Amorteală” (insensibilitate), furnicăături, durere, înțepături, modificarea culorii sau a texturii pielii. **Dacă apare oricare dintre aceste simptome, consultați un medic!** Pentru a reduce riscul apariției „sindromului degetelor albe”, păstrați-vă mâinile calde în timpul utilizării și întrețineți în mod corect utilajul și accesoriile.

PĂSTRAȚI ACESTE INSTRUCȚIUNI.

⚠️ AVERTIZARE: NU permiteți comodității și familiarizării cu produsul (obținute prin utilizare repetată) să înlocuiască respectarea strictă a normelor de securitate pentru acest produs. **FOLOSIREA INCORECTĂ** sau nerespectarea normelor de securitate din acest manual de instrucțiuni poate provoca vătămări corporale grave.

Instrucțiuni importante privind siguranța pentru cartușul acumulatorului

1. Înainte de a folosi cartușul acumulatorului, citiți toate instrucțiunile și atenționările de pe (1) încărcătorul acumulatorului, (2) acumulator și (3) produsul care folosește acumulatorul.
2. Nu dezmembrați cartușul acumulatorului.
3. Dacă timpul de funcționare s-a redus excesiv, întrerupeți imediat funcționarea. Aceasta poate prezenta risc de supraîncălzire, posibile arsuri și chiar explozie.
4. Dacă electrolitul pătrunde în ochi, clătiți bine ochii cu apă curată și consultați imediat un medic. Există risc de orbire.
5. Nu scurtcircuitați cartușul acumulatorului:
 - (1) Nu atingeți bornele cu niciun material conductor.
 - (2) Evitați depozitarea cartușului acumulatorului la un loc cu alte obiecte metalice cum ar fi cuie, monede etc.
 - (3) Nu expuneți cartușul acumulatorului la apă sau ploaie.

Un scurtcircuit al acumulatorului poate provoca un flux puternic de curent electric, supraîncălzire, posibile arsuri și chiar defectarea mașinii.

6. **Nu depozitați mașina și cartușul acumulatorului în spații în care temperatura poate atinge sau depăși 50 °C (122 °F).**
7. **Nu incinerati cartușul acumulatorului chiar dacă acesta este grav deteriorat sau complet uzat. Cartușul acumulatorului poate exploda în foc.**
8. **Aveți grijă să nu scăpați sau să loviți acumulatorul.**
9. **Nu utilizați un acumulator deteriorat.**
10. **Acumulatorii Li-Ion încorporați se supun cerințelor Legișlației privind substanțele periculoase.**

Pentru transporturi comerciale, efectuate de exemplu de către părți terțe, expeditori, trebuie respectate cerințele speciale de ambalare și etichetare.

Pentru pregătirea articolului care urmează să fie expedit, este necesară consultarea unui expert în materiale periculoase. Vă rugăm să respectați, de asemenea, reglementările naționale, care pot fi mai detaliate.

Izolați sau acoperiți contactele deschise și împachetați acumulatorul în așa fel încât să nu se poată mișca în ambalaj.

11. **Respectați normele naționale privind eliminarea la deșeuri a acumulatorului.**
12. **Utilizați acumulatorii numai cu produsele specificate de Makita.** Instalarea acumulatorilor în produse neconforme poate cauza incendii, căldură excesivă, explozii sau scurgeri de electroliți.

PĂSTRAȚI ACESTE INSTRUCȚIUNI.

⚠️ ATENȚIE: Folosiți numai acumulatori Makita originali. Acumulatorii Makita care nu sunt originali și acumulatorii care au suferit modificări se pot aprinde, provocând incendii, leziuni corporale și daune. De asemenea, anulează garanția oferită de Makita pentru unealta și încărcătorul Makita.

Sfaturi pentru obținerea unei durate maxime de exploatare a acumulatorului

1. **Încărcați cartușul acumulatorului înainte de a se descărca complet. Întrerupeți întotdeauna funcționarea mașinii și încărcați cartușul acumulatorului când observați o scădere a puterii mașinii.**
2. **Nu reîncărcați niciodată un acumulator complet încărcat. Supraincărcarea va scurta durata de exploatare a acumulatorului.**
3. **Încărcați cartușul acumulatorului la temperatura camerei, între 10 °C - 40 °C (50 °F - 104 °F). Lăsați un acumulator fierbinte să se răcească înainte de a-l încărca.**
4. **Încărcați cartușul acumulatorului în cazul în care nu a fost utilizat pe o perioadă mai lungă (mai mult de șase luni).**

DESCRIERE COMPONENTE

► Fig.2

1	Buton declanșator	2	Mâner superior	3	Pârghie de blocare
4	Apărătoare anterioară pentru mână	5	Lamă de ghidare	6	Lanț de ferăstrău
7	Opritor de lanț	8	Piuliță de fixare	9	Șurub de reglare a lanțului
10	Ghidajul pentru așchii	11	Cartușul acumulatorului	12	Indicator alimentare principală
13	Întreprupător de alimentare principal	14	Șurub de reglare (pentru pompa de ulei)	15	Carabinieră
16	Mâner anterior	17	Bușon rezervor ulei	18	Capac lamă de ghidare

DESCRIEREA FUNCȚIILOR

⚠️ ATENȚIE: Asigurați-vă întotdeauna că mașina este oprită și cartușul acumulatorului este scos înainte de a ajusta sau verifica funcționarea mașinii.

Instalarea sau scoaterea cartușului acumulatorului

⚠️ ATENȚIE: Opriti întotdeauna mașina înainte de montarea sau demontarea cartușului de acumulator.

⚠️ ATENȚIE: Țineți ferm mașina și cartușul acumulatorului la montarea sau demontarea cartușului. În cazul în care nu țineți ferm mașina și cartușul de acumulator, acestea vă pot aluneca din mâini, rezultând defectarea mașinii și cartușului de acumulator, precum și în accidentări personale.

► Fig.3: 1. Indicator roșu 2. Buton 3. Cartușul acumulatorului

Pentru a scoate cartușul acumulatorului, glisați-l din mașină în timp ce glisați butonul de pe partea frontală a cartușului.

Pentru a instala cartușul acumulatorului, aliniați limba de pe cartușul acumulatorului cu canelura din carcasă și introduceți-l în locaș. Introduceți-l complet, până când se înclichetează în locaș. Dacă puteți vedea indicatorul roșu din partea superioară a butonului, acesta nu este blocat complet.

⚠️ ATENȚIE: Instalați întotdeauna cartușul acumulatorului complet, până când indicatorul roșu nu mai este vizibil. În caz contrar, acesta poate cădea accidental din mașină provocând rănirea dumneavoastră sau a persoanelor din jur.








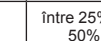










⚠️ ATENȚIE: Nu forțați cartușul acumulatorului la montare. Dacă acesta nu se glisează ușor, înseamnă că a fost introdus incorect.

Indicarea capacității rămase a acumulatorului

Numai pentru cartușe de acumulator cu indicator

► Fig.4: 1. Lămpi indicatoare 2. Buton de verificare

Apăsați butonul de verificare de pe cartușul acumulatorului, astfel încât să se indice capacitățile rămase ale acumulatorului. Lămpile indicatorului vor lumina timp de câteva secunde.

Lămpi indicatoare			Capacitate rămasă
 Iluminat	 Oprit	 Iluminare intermitentă	
			între 75% și 100%
			între 50% și 75%
			între 25% și 50%
			între 0% și 25%
			Încărcați acumulatorul.
			Este posibil ca acumulatorul să fie defect.
			

NOTĂ: În funcție de condițiile de utilizare și temperatura ambientală, indicația poate fi ușor diferită de capacitatea reală.

Sistem de protecție mașină/acumulator

Mașina este prevăzută cu un sistem de protecție mașină/acumulator. Acest sistem întrerupe automat alimentarea motorului pentru a extinde durata de funcționare a mașinii și acumulatorului. Mașina se va opri automat în timpul funcționării dacă mașina sau acumulatorul se află într-una din situațiile următoare:

Protecție la suprasarcină

Atunci când acumulatorul este utilizat într-un mod care cauzează un consum de curent neobișnuit de ridicat, mașina se va opri automat și indicatorul sursei de alimentare principale emite o lumină verde intermitentă. În această situație, opriți mașina și întrerupeți aplicația care a dus la suprasolicitarea mașinii. Apoi, reporniți mașina.

Protecție la supraîncălzire

Dacă mașina sau acumulatorul se supraîncălzeste, mașina se oprește automat și indicatorul sursei de alimentare principale emite o lumină roșie. În acest caz, lăsați mașina și acumulatorul să se răcească înainte de a reporni mașina.

NOTĂ: În medii cu temperaturi ridicate, este posibil ca protecția la supraîncălzire să nu funcționeze, iar mașina se oprește automat.

Protecție la supradescărcare

În cazul în care capacitatea acumulatorului nu este suficientă, mașina se oprește automat și indicatorul sursei de alimentare emite o lumină roșie intermitentă. În acest caz, scoateți acumulatorul din mașină și încărcăți-l.

Întrerupător de alimentare principal

⚠️ AVERTIZARE: Opriti întotdeauna întrerupătorul de alimentare principal atunci când nu utilizați unealta.

Pentru a porni mașina, apăsați pe întrerupătorul de alimentare principal până când indicatorul sursei de alimentare principale va emite o lumină verde. Pentru a opri ferăstrăul, apăsați din nou întrerupătorul de alimentare principal.

- **Fig. 5:** 1. Indicator alimentare principală
2. Întrerupător de alimentare principal

NOTĂ: Indicatorul sursei de alimentare principale emite o lumină verde intermitentă dacă butonul declanșator este tras în condiții de nefuncționare. Indicatorul luminează intermitent în următoarele circumstanțe.

- Atunci când porniți întrerupătorul de alimentare principal în timp ce apăsați în jos pe pârghia de blocare și pe butonul declanșator.
- Atunci când trageți butonul declanșator în timp ce frâna de lanț este aplicată.
- Atunci când eliberați frâna de lanț în timp ce apăsați în jos pe pârghia de blocare și trageți butonul declanșator.

NOTĂ: Acest ferăstrău cu lanț este dotat cu funcție de oprire automată. Pentru a evita pornirea neintenționată, întrerupătorul de alimentare principal se va închide automat dacă butonul declanșator nu este tras pentru o anumită perioadă de timp după pornirea acestuia.

Puteți utiliza mașina în modul Amplificare cuplu pentru a tăia crengi groase sau dure. Pentru a utiliza mașina în modul Amplificare cuplu, atunci când mașina este oprită, apăsați pe întrerupătorul de alimentare principal timp de câteva secunde până când indicatorul sursei de alimentare principale emite o lumină galbenă.

NOTĂ: Puteți utiliza mașina în modul Amplificare cuplu timp de până la 30 de secunde. În funcție de condițiile de utilizare, acest mod comută la modul normal în mai puțin de 30 secunde.

NOTĂ: Dacă indicatorul sursei principale de alimentare emite o lumină galbenă intermitentă atunci când apăsați pe întrerupătorul de alimentare principal timp de câteva secunde, modul Amplificare cuplu nu este disponibil. În acest caz, respectați pașii următori.

- Modul Amplificare cuplu nu este disponibil imediat după operațiunea de tăiere. Așteptați peste 10 secunde și apoi apăsați din nou pe întrerupătorul de alimentare principal.
- Dacă utilizați modul Amplificare cuplu de câteva ori, această utilizare este restricționată pentru a proteja acumulatorul. Dacă modul Amplificare cuplu nu este disponibil după ce ați așteptat peste 10 secunde, înlocuiți cartușul acumulatorului cu unul încărcat complet sau reîncărcați cartușul acumulatorului.

NOTĂ: Dacă indicatorul sursei de alimentare principale emite o lumină roșie sau emite o lumină roșie sau verde intermitentă, consultați instrucțiunile sistemului de protecție a mașinii/acumulatorului.

NOTĂ: Modul Amplificare cuplu nu poate fi utilizat atunci când este instalat cartușul acumulatorului BL1815N, BL1820 sau BL1820B.

Aționarea întrerupătorului

⚠️ AVERTIZARE: Pentru siguranța dumneavoastră, această mașină este echipată cu o pârghie de deblocare care previne pornirea neintenționată. Nu utilizați NICIODATĂ mașina dacă aceasta pornește la simpla tragere a butonului declanșator, fără a apăsa pârghia de deblocare. Returnați unealta la un centru de service autorizat pentru efectuarea reparațiilor corespunzătoare ÎNAINTE de a continua utilizarea acesteia.

⚠️ AVERTIZARE: Nu blocați NICIODATĂ pârghia de deblocare cu bandă adezivă și nu dezactivați NICIODATĂ scopul sau funcția acesteia.

⚠️ ATENȚIE: Înainte de a introduce cartușul acumulatorului în mașină, verificați întotdeauna dacă butonul declanșator funcționează corect și revine în poziția „OFF” (oprit) când este eliberat.

NOTĂ: Nu trageți puternic butonul declanșator fără a apăsa pârghia de deblocare. Butonul se poate rupe.

Pentru a preveni acționarea accidentală a butonului declanșator, este prevăzută o pârghie de blocare. Pentru a porni mașina, apăsați pârghia de blocare și acționați butonul declanșator. Turația mașinii poate fi mărită prin creșterea forței de apăsare pe butonul declanșator. Eliberați butonul declanșator pentru a opri mașina.

- **Fig. 6:** 1. Buton declanșator 2. Pârghie de blocare

Verificarea frânei de lanț

⚠️ ATENȚIE: Țineți ferăstrăul cu lanț cu ambele mâini atunci când îl porniți. Prindeți mânerul superior cu mâna dreaptă și mânerul frontal cu mâna stângă. Lama și lanțul nu trebuie să fie în contact cu niciun obiect.

⚠️ ATENȚIE: Dacă lanțul de ferăstrău nu se oprește imediat la executarea acestui test, nu este permisă în niciun caz utilizarea ferăstrăului. Consultați centrele noastre de service autorizate.

1. Apăsați mânerul de blocare, apoi trageți butonul declanșator. Lanțul de ferăstrău pornește imediat.

2. Împingeți apărătoarea frontală a mâinii înaintea cu spatele mâinii. Asigurați-vă că ferăstrăul cu lanț se oprește imediat.

► Fig.7: 1. Apărătoare anterioară pentru mână
2. Poziție deblocată 3. Poziție blocată

Verificarea frânei de siguranță

⚠️ ATENȚIE: Dacă ferăstrăul cu lanț nu se oprește într-un interval de două secunde la efectuarea acestui test, încetați utilizarea acestuia și consultați centrul nostru de service autorizat.

Porniți ferăstrăul cu lanț, apoi eliberați complet butonul declanșator. Lanțul de ferăstrău trebuie să se oprească într-un interval de două secunde.

Reglarea lubrifierii lanțului

Puteți regla debitul pompei de ulei cu ajutorul șurubului de reglare, folosind cheia universală. Cantitatea de ulei poate fi reglată în 3 pași.

► Fig.8: 1. Șurub de reglare

Carabinieră (punct de atașare a frânghiei)

Puteți agăța mașina prin atașarea frânghiei de carabinieră. Trageți carabiniera în sus și apoi legați-o cu frânghia.

Funcție electronică

Mașina este echipată cu funcții electronice pentru operare facilă.

- Pornire lină
Funcția de pornire lină minimizează șocul de pornire și permite o pornire lină a mașinii.

ASAMBLARE

⚠️ ATENȚIE: Asigurați-vă întotdeauna că mașina este oprită și cartușul acumulatorului este scos înainte de a executa orice lucrări la mașină.

⚠️ ATENȚIE: Nu atingeți lanțul ferăstrăului cu mâinile goale. Purtați întotdeauna mănuși atunci când manipulați lanțul ferăstrăului.

Demontarea sau montarea lanțului de ferăstrău

⚠️ ATENȚIE: Lanțul de ferăstrău și lama de ghidare sunt în continuare fierbinți după operare. Lăsați-le să se răcească suficient înainte de a efectua orice lucrări pe unealtă.

⚠️ ATENȚIE: Efectuați procedeul de montare sau demontare a lanțului de ferăstrău într-un loc curat, fără rumeguș sau alte materii asemănătoare.

Pentru a demonta lanțul de ferăstrău, efectuați pașii de mai jos:

1. Eliberați frâna de lanț, trăgând apărătoarea frontală pentru mână.

2. Slăbiți șurubul de reglare a lanțului și apoi piulița de fixare.

► Fig.9: 1. Șurub de reglare a lanțului 2. Piuliță de fixare

3. Îndepărtați capacul roții de lanț, apoi îndepărtați lanțul ferăstrăului și lama de ghidare din corpul ferăstrăului.

Pentru a monta lanțul de ferăstrău, efectuați următorii pași:

1. Verificați direcția lanțului de ferăstrău. Potrivii direcția lanțului de ferăstrău cu cea a marcajului de pe corpul ferăstrăului cu lanț.

2. Montați un capăt al lanțului de ferăstrău în partea de sus a lamei de ghidare.

3. Montați celălalt capăt al lanțului de ferăstrău în jurul roții de lanț, apoi atașați lama de ghidare pe corpul ferăstrăului cu lanț și aliniați orificiul de pe lama de ghidare cu ajutorul știftului de pe corpul ferăstrăului cu lanț.

► Fig.10: 1. Roată de lanț 2. Orificiu

4. Introduceți proeminența de pe apărătoarea roții de lanț în corpul ferăstrăului cu lanț și apoi închideți apărătoarea astfel încât șurubul și știfturile de pe corpul ferăstrăului cu lanț să se potrivească cu elementele corespondente de pe apărătoare.

► Fig.11: 1. Proeminență 2. Capacul roții de lanț
3. Bolț 4. Știft

5. Strângeți piulița de fixare pentru a fixa ferm apărătoarea roții de lanț, apoi slăbiți-o puțin pentru reglarea tensiunii.

► Fig.12: 1. Piuliță de fixare

Reglarea tensionării lanțului de ferăstrău

⚠️ ATENȚIE: Nu strângeți excesiv lanțul de ferăstrău. Tensionarea excesivă a lanțului de ferăstrău poate provoca ruperea acestuia, uzura lamei de ghidare și ruperea rondellei de reglare.

⚠️ ATENȚIE: Un lanț prea slăbit poate sări de pe lamă, prezentând așadar pericol de accidentare.

Lanțul de ferăstrău se poate detensiona după mai multe ore de utilizare. Verificați din când în când tensionarea lanțului de ferăstrău înainte de utilizare.

1. Eliberați frâna de lanț, trăgând apăraoarea frontală pentru mână.
2. Slăbiți puțin piulița de fixare pentru a slăbi ușor apăraoarea roții de lanț.
► **Fig.13:** 1. Piuliță de fixare
3. Ridicați ușor vârful lamei de ghidare și reglați tensiunea lanțului. Rotiți șurubul de reglare a lanțului spre dreapta pentru a-l strânge, rotiți-l spre stânga pentru a-l slăbi.

Pentru lama lanțului 90PX și 91PX:

Strângeți lanțul de ferăstrău până când partea inferioară a lanțului de ferăstrău se potrivește în șina lamei de ghidare, după cum este ilustrat.

- **Fig.14:** 1. Lamă de ghidare 2. Lanț de ferăstrău
3. Șurub de reglare a lanțului

Pentru lama lanțului 25AP:

Strângeți lanțul de ferăstrău astfel încât spațiul dintre centrul părții inferioare a lamei de ghidare și lanțul de ferăstrău să ajungă la aproximativ 1 mm - 2 mm.

4. Continuați să țineți ușor lama de ghidare și strângeți apăraoarea roții de lanț.

Pentru lama lanțului 90PX și 91PX:

Asigurați-vă că lanțul de ferăstrău nu este slăbit în partea de jos.

Pentru lama lanțului 25AP:

Asigurați-vă că spațiul dintre centrul părții inferioare a lamei de ghidare și lanțul de ferăstrău este de aproximativ 1 mm - 2 mm.

5. Strângeți piulița de fixare pentru a fixa ferm apăraoarea roții de lanț.
► **Fig.15:** 1. Piuliță de fixare

Asigurați-vă că lanțul de ferăstrău se fixează ferm pe partea inferioară a lamei.

Bară de protecție dințată

Accesorii opționale

Atunci când tăiați crengi groase, se recomandă utilizarea unei bare de protecție dințate. Pentru a instala bara de protecție dințată, parcurgeți următorii pași:

1. Demontați apăraoarea roții de lanț, lanțul de ferăstrău și lama de ghidare.
2. Aliniați orificiile de pe bara de protecție dințată și orificiile de pe corpul ferăstrăului cu lanț și apoi strângeți ferm șuruburile.
► **Fig.16:** 1. Șurub 2. Bară de protecție dințată

OPERAREA

Lubrifierea

Lanțul de ferăstrău este lubrifiat automat atunci când mașina este în funcțiune. Verificați periodic cantitatea de ulei rămasă în rezervor, prin vizorul de nivel al uleiului.

Pentru a completa rezervorul, așezați ferăstrăul cu lanț pe o parte și îndepărtați bușonul rezervorului pentru ulei. Cantitatea potrivită de ulei este de 140 ml. După reumplerea rezervorului, asigurați-vă că bușonul rezervorului cu ulei este strâns pe poziție.

- **Fig.17:** 1. Bușon rezervor ulei 2. Vizor de nivel al uleiului

După reumplere, țineți ferăstrăul cu lanț la distanță de pom. Porniți-l și așteptați până când lanțul de ferăstrău este lubrifiat corespunzător.

- **Fig.18**

NOTĂ: Atunci când alimentați ferăstrăul cu lanț pentru prima dată cu ulei de lanț sau când reumpleți rezervorul după golirea completă a acestuia, turnați ulei până la marginea inferioară a gâtului de umplere. În caz contrar, alimentarea cu ulei poate fi defectuoasă.

NOTĂ: Utilizați doar uleiul pentru ferăstrăul cu lanț Makita sau un ulei similar disponibil pe piață.

NOTĂ: Nu utilizați niciodată ulei cu praf sau particule sau ulei volatil.

NOTĂ: Când curățați arborii de crengi, utilizați întotdeauna ulei vegetal. Uleiul mineral poate fi dăunător pentru pomi.

NOTĂ: Înainte de tăiere, asigurați-vă că bușonul livrat al rezervorului de ulei este înșurubat la locul său.

LUCRUL CU FERĂSTRĂUL CU LANȚ

⚠ATENȚIE: Înainte de începerea operațiilor, utilizatorul trebuie să efectueze, ca practică minimă, tăieri de încercare pe o capră de tăiat lemne sau un cadru suport.

⚠ATENȚIE: Când tăiați material lemnos pretăiat, utilizați un suport sigur (capră pentru tăiere sau un cadru suport). Nu sprijiniți piesa de lucru cu piciorul și nu permiteți nimănui altcuiva să o țină sau să o sprijine.

⚠ATENȚIE: Asigurați piesele rotunde să nu se rostogolească.

⚠ATENȚIE: Feriți toate părțile corpului din calea lanțului de ferăstrău în timpul funcționării motorului.

⚠ATENȚIE: Țineți ferm ferăstrăul cu lanț cu ambele mâini în timpul funcționării motorului.

⚠ATENȚIE: Nu vă întindeți excesiv. Mențineți-vă permanent echilibrul și sprijiniți-vă ferm pe picioare.

NOTĂ: Nu scuturați și nu aruncați niciodată unealta.

NOTĂ: Nu acoperiți aerisirile uneltei.

Curățarea arborilor

Așezați corpul ferăstrăului cu lanț în contact cu creanga de tăiat înainte de a-l porni. În caz contrar, lama de ghidare poate oscila, rezultând rănirea operatorului. Tăiați lemnul doar prin deplasarea ferăstrăului în jos, folosind greutatea acestuia.

► Fig.19

Dacă nu puteți tăia complet buștenii dintr-o singură mișcare:

Aplicați o ușoară presiune asupra mânerului și continuați să tăiați, trăgând puțin înapoi ferăstrăul cu lanț.

► Fig.20

Atunci când tăiați crengi groase, realizați mai întâi o tăietură mică la bază și apoi realizați tăietura finală de la partea superioară.

► Fig.21

Dacă încercați să tăiați crengi groase de la partea inferioară, creanga se poate plia și poate prinde lanțul de ferăstrău în tăietură. Dacă încercați să tăiați crengi groase de la partea superioară fără o tăietură mică la bază, creanga se poate despică.

► Fig.22

Secționare

1. Așezați corpul ferăstrăului cu lanț pe lemnul de tăiat.

► Fig.23

2. Cu lanțul de ferăstrău în funcțiune, tăiați în lemn utilizând mânerul superior pentru a ridica ferăstrăul și mânerul frontal pentru a-l ghida.

3. Continuați tăierea aplicând o ușoară presiune pe mânerul superior, trăgând ușor înapoi ferăstrăul.

NOTĂ: Când executați mai multe tăieturi, opriți ferăstrăul cu lanț între acestea.

ATENȚIE: Dacă utilizați pentru tăiere marginea superioară a lamei, ferăstrăul cu lanț poate fi deviat în direcția dumneavoastră dacă lanțul se blochează. Din acest motiv, executați tăierea cu marginea inferioară astfel ca ferăstrăul să se îndepărteze de corpul dumneavoastră.

► Fig.24

Dacă tăiați lemn tensionat, mai întâi tăiați pe partea de compresie (A). Apoi executați tăietura finală pe partea de tensiune (B). Această tehnică previne înțepenirea lamei.

► Fig.25

Debitare

ATENȚIE: Debitarea poate fi executată numai de persoane calificate. Există pericol din cauza riscului de recul.

Atunci când debitați, sprijiniți ferăstrăul cu lanț pe trunchi dacă este posibil. Nu tăiați cu vârful lamei deoarece prezintă risc de recul.

Acordați o atenție deosebită crengilor tensionate. Nu tăiați de dedesubt crengile nesusținute.

Nu vă urcați pe trunchiul doborât atunci când executați debitarea.

Transportarea uneltei

Înainte de transportarea uneltei, aplicați întotdeauna frâna pentru lanț și îndepărtați cartușele cu acumulatori din aceasta. Apoi atașați apărătoarea lamei de ghidare. De asemenea, acoperiți cartușul acumulatorului cu capacul acumulatorului.

► Fig.26: 1. Capac lamă de ghidare 2. Capacul acumulatorului

ÎNTREȚINERE

ATENȚIE: Asigurați-vă întotdeauna că mașina este oprită și cartușul acumulatorului scos înainte de a executa lucrările de inspecție și întreținere.

ATENȚIE: Purtați întotdeauna mănuși când executați orice lucrare de inspecție și întreținere.

NOTĂ: Nu utilizați niciodată gazolină, benzină, diluant, alcool sau alte substanțe asemănătoare. În caz contrar, pot rezulta decolorări, deformări sau fisuri.

Pentru a menține SIGURANȚA și FIABILITATEA produsului, reparațiile și orice alte lucrări de întreținere sau reglare trebuie executate de centre de service Makita autorizate sau proprii, folosind întotdeauna piese de schimb Makita.

Ascuțirea lanțului de ferăstrău

Ascuțiți lanțul de ferăstrău atunci când:

- La tăierea lemnului umed se produce rumeguş făinos;
- Lanțul penetrează lemnul cu dificultate, chiar dacă se aplică o forță puternică;
- Muchiile tăietoare sunt deteriorate vizibil;
- Ferăstrăul trage spre stânga sau spre dreapta la tăierea lemnului. (cauza este ascuțirea neuniformă a lanțului de ferăstrău, sau deteriorarea unei singure laturi)

Ascuțiți frecvent lanțul de ferăstrău, însă îndepărtați doar o cantitate mică de material de fiecare dată. Două sau trei curse ale pilei sunt suficiente de obicei pentru o ascuțire de rutină. După ce lanțul de ferăstrău a fost reascuțit de mai multe ori, solicitați ascuțirea acestuia la centrul nostru de service autorizat.

Criterii de ascuțire:

AVERTIZARE: O distanță excesivă între muchia de tăiere și indicatorul de adâncime crește riscul de recul.

► Fig.27: 1. Lungime cuțit 2. Distanță dintre muchia de tăiere și indicatorul de adâncime 3. Lungimea minimă a cuțitului (3 mm)

- Toate lungimile de cuțite trebuie să fie egale. Lungimile diferite ale cuțitelor împiedică funcționarea lină a lanțului ferăstrăului și poate duce la ruperea acestuia.
- Nu ascuțiți ferăstrăul dacă lungimea cuțitului a atins 3 mm sau mai puțin. Lanțul trebuie să fie înlocuit cu unul nou.

- Grosimea așchii este determinată de distanța dintre indicatorul de adâncime (ciocul rotund) și muchia tăietoare.
- Cele mai bune rezultate de tăiere se obțin cu următoarea distanță între muchia de tăiere și indicatorul de adâncime.
 - Lama lanțului 90PX: 0,65 mm
 - Lama lanțului 91PX: 0,65 mm
 - Lama lanțului 25AP: 0,65 mm

► Fig.28

- Unghiul de ascuțire de 30° trebuie să fie identic pe toate cuțitele. Diferențele între unghiurile cuțitului cauzează o funcționare neuniformă a lanțului și uzura accelerată a acestuia, conducând la rupearea lanțului.
- Utilizați o pilă rotundă potrivită pentru menținerea unghiului corespunzător de ascuțire contra dinților.
 - Lama lanțului 90PX : 55°
 - Lama lanțului 91PX : 55°
 - Lama lanțului 25AP: 55°

Pila și ghidarea pilei

- Utilizați pentru ascuțirea lanțului o pilă rotundă specială (accesoriu opțional) pentru lanțuri de ferăstrău. Pilele rotunde normale nu sunt adecvate.
- Diametrul pilei rotunde pentru fiecare lanț de ferăstrău este următorul:
 - Lama lanțului 90PX: 4,5 mm
 - Lama lanțului 91PX: 4,0 mm
 - Lama lanțului 25AP: 4,0 mm
- Pila trebuie să intre în contact cu cuțitul numai la cursa de avans. Ridicați pila de pe cuțit la cursa de revenire.
- Ascuțiți întâi cuțitul cel mai scurt. Apoi, lungimea acestui cel mai scurt cuțit devine standard pentru toate celelalte cuțite de pe lanțul de ferăstrău.
- Ghidați pila după cum se vede în figură.

► Fig.29: 1. Pilă 2. Lanț de ferăstrău

- Pila poate fi ghidată mai ușor dacă se folosește un suport de pilă (accesoriu opțional). Suportul de pilă dispune de marcaje pentru unghiul corect de ascuțire de 30° (alineați marcajele paralel cu lanțul de ferăstrău) și limitează adâncimea de penetrare (la 4/5 din diametrul pilei).

► Fig.30: 1. Suport pilă

- După ascuțirea lanțului, verificați înălțimea indicatorului de adâncime utilizând instrumentul de etalonare a lanțului (accesoriu opțional).

► Fig.31

- Îndepărtați orice proeminență de material, oricât de mică, cu o pilă plată specială (accesoriu opțional).
- Rotunjiți din nou muchia frontală a indicatorului de adâncime.

Curățarea lamei de ghidare

Așchiile și rumegușul se vor acumula în canelura lamei de ghidare. Acestea pot bloca canelura lamei de ghidare și pot periclita debitul de ulei. Eliminați întotdeauna așchiile și rumegușul atunci când ascuțiți sau înlocuiți lanțul de ferăstrău.

► Fig.32

Curățarea capacului roții de lanț

Așchiile și rumegușul se vor acumula în interiorul capacului roții de lanț. Îndepărtați capacul roții de lanț și lanțul ferăstrăului de pe unealtă, apoi curățați așchiile și rumegușul.

► Fig.33

Curățarea orificiului de evacuare ulei

În timpul funcționării, în orificiul de evacuare a uleiului se pot acumula particulele mici de praf sau impurități. Aceste particule mici de praf sau impurități pot perturba fluxul de evacuare a uleiului și pot cauza o lubrifiere insuficientă a întregului lanț de ferăstrău. Dacă intervine o alimentare defectuoasă cu ulei de lanț în partea superioară a lamei de ghidare, curățați orificiul de evacuare a uleiului după cum urmează.

1. Demontați apărătoarea roții de lanț și lanțul de ferăstrău de pe unealtă.
2. Îndepărtați particulele mici sau praful utilizând o șurubelniță cu cap crestat în combinație cu o tijă subțire sau ceva asemănător.

► Fig.34: 1. Șurubelniță cu cap crestat 2. Orificiu de evacuare a uleiului

3. Introduceți în unealtă cartușul acumulatorului. Trageți butonul declanșator pentru a elimina, prin scurgerea uleiului de lanț, particulele de praf sau impurități acumulate în orificiul de evacuare a uleiului.

4. Scoateți cartușul acumulatorului din unealtă. Reinstalați apărătoarea roții de lanț și lanțul de ferăstrău pe unealtă.

Înlocuirea roții de lanț

⚠ATENȚIE: O roată de lanț uzată va deteriora un lanț de ferăstrău nou. Înlocuiți roata de lanț în acest caz.

Înainte de a instala un lanț de ferăstrău nou, verificați starea roții de lanț.

► Fig.35: 1. Roată de lanț 2. Zonele care pot fi uzate
Instalați întotdeauna un inel de blocare nou atunci când înlocuiți roata de lanț.

► Fig.36: 1. Inel de blocare 2. Roată de lanț

NOTĂ: Asigurați-vă că roata de lanț este montată după cum este prezentat în figură.

Depozitarea uneltei

1. Curățați unealta înaintea depozitării. Îndepărtați așchiile și rumegușul de pe unealtă după ce ați demontat apărătoarea roții de lanț.
2. După curățarea uneltei, utilizați mașina în gol pentru a lubrifia lanțul de ferăstrău și lama de ghidare.
3. Acoperiți lama de ghidare cu apărătoarea pentru lamă de ghidare.
4. Goliți rezervorul de ulei.

Instrucțiuni de întreținere periodică

Pentru a asigura o durată mare de viață, a preveni deteriorarea și a asigura funcționarea deplină a dispozitivelor de siguranță, următoarele operații de întreținere trebuie efectuate cu regularitate. Solicitățile de garanție pot fi luate în considerare numai dacă aceste lucrări sunt efectuate regulat și corespunzător. Nerespectarea efectuării lucrărilor de întreținere prescrise poate duce la accidente! Utilizatorul ferăstrăului cu lanț nu trebuie să efectueze lucrări de întreținere care nu sunt descrise în acest manual de instrucțiuni. Orice astfel de lucrări trebuie executate de centrul nostru de service autorizat.

Verificare element/Timp de funcționare		Înainte de operare	Zilnic	Săptămănal	La fiecare 3 luni	Anual	Înainte de depozitare
Ferăstrău cu lanț	Inspecție.	✓	-	-	-	-	-
	Curățarea.	-	✓	-	-	-	-
	Verificați la un centru de service autorizat.	-	-	-	-	✓	✓
Lanț de ferăstrău	Inspecție.	✓	-	-	-	-	-
	Ascuțiți, dacă este necesar.	-	-	-	-	-	✓
Lamă de ghidare	Inspecție.	✓	✓	-	-	-	-
	Înlăturați de pe ferăstrăul cu lanț.	-	-	-	-	-	✓
Frână de lanț	Verificați funcționarea.	✓	-	-	-	-	-
	A se verifica regulat la un atelier de service autorizat.	-	-	-	✓	-	-
Ungerea lanțului	Verificați rata de alimentare cu ulei.	✓	-	-	-	-	-
Buton declanșator	Inspecție.	✓	-	-	-	-	-
Pârghie de blocare	Inspecție.	✓	-	-	-	-	-
Bușon rezervor ulei	Verificați etanșeitatea.	✓	-	-	-	-	-
Opritor de lanț	Inspecție.	-	-	✓	-	-	-
Șuruburi și piulițe	Inspecție.	-	-	✓	-	-	-

DEPANARE

Înainte de a solicita reparații, efectuați mai întâi propria inspecție. În cazul în care găsiți o problemă care nu este explicată în manual, nu încercați să demontați echipamentul. În schimb, adresați-vă Centrelor de service autorizate Makita, utilizând întotdeauna piese de schimb Makita pentru reparații.

Stare defecțiune	Cauza	Acțiune
Ferăstrăul cu lanț nu pornește.	Cartușul acumulatorului nu este montat.	Montați un cartuș al acumulatorului încărcat.
	Problemă cu acumulatorul (tensiune scăzută).	Reîncărcarea cartușelor cu acumulatori. Dacă reîncărcarea nu este eficientă, înlocuiți cartușul acumulatorului.
	Înterupătorul de alimentare principal este oprit.	Ferăstrăul cu lanț este oprit automat dacă nu este utilizat pentru o anumită perioadă de timp. Porniți din nou înterupătorul de alimentare principal.
Lanțul ferăstrăului nu funcționează.	Frâna de lanț activată.	Eliberați frâna de lanț.
Motorul se oprește din funcționare după puțin timp.	Nivelul de încărcare al acumulatorului este redus.	Reîncărcați cartușele cu acumulatori. Dacă reîncărcarea nu este eficientă, înlocuiți cartușul acumulatorului.
Nu există ulei pe lanț.	Rezervorul de ulei este gol.	Umpleți rezervorul de ulei.
	Canalul de ghidare a uleiului este murdar.	Curățați canalul.
	Alimentare deficitară cu ulei.	Reglați debitul de ulei cu ajutorul șurubului de reglare.
Ferăstrăul cu lanț nu atinge turația maximă.	Cartușul acumulatorului este instalat necorespunzător.	Montați cartușele cu acumulatori în modul descris în acest manual.
	Puterea acumulatorului se reduce.	Reîncărcați cartușul acumulatorului. Dacă reîncărcarea nu este eficientă, înlocuiți cartușul acumulatorului.
	Sistemul de acționare nu funcționează corect.	Solicitați asistența centrului service autorizat din regiunea dumneavoastră pentru reparații.
Indicatorul de alimentare principal emite o lumină verde intermitentă.	Butonul declanșator este tras în condiții de nefuncționare.	Trageți butonul declanșator după pornirea înterupătorului de alimentare principal și după eliberarea frânei de lanț.
Lanțul nu se oprește chiar dacă frâna de lanț este cuplată: Oprțiți imediat unealta!	Banda de frânare este uzată.	Solicitați asistența centrului service autorizat din regiunea dumneavoastră pentru reparații.
Vibrații anormale: Oprțiți imediat unealta!	Slăbiți lama de ghidare sau lanțul de ferăstrău.	Ajustați tensiunea lamei de ghidare și a lanțului de ferăstrău.
	Defect unealtă.	Solicitați asistența centrului service autorizat din regiunea dumneavoastră pentru reparații.
Modul Amplificare cuplu nu este disponibil după înlocuirea cartușului acumulatorului cu unul complet încărcat.	În funcție de condițiile de utilizare, modul Amplificare cuplu nu este disponibil după înlocuirea cartușului acumulatorului.	Utilizați mașina în modul normal până când cartușul acumulatorului se consumă, apoi înlocuiți cartușul acumulatorului cu unul complet încărcat sau reîncărcați cartușul acumulatorului.

ACCESORII OPȚIONALE

⚠️ ATENȚIE: Folosiți accesoriile sau piesele auxiliare recomandate pentru mașina dumneavoastră Makita în acest manual. Utilizarea oricăror alte accesorii sau piese auxiliare poate prezenta risc de vătămare corporală. Utilizați accesoriile și piesele auxiliare numai în scopul destinat.

Dacă aveți nevoie de asistență sau de mai multe detalii referitoare la aceste accesorii, adresați-vă centrului local de service Makita.

- Lanț de ferăstrău
- Lamă de ghidare
- Capac lamă de ghidare
- Roată de lanț

- Bară de protecție dințată
- Piliă
- Geantă de scule
- Acumulator și încărcător original Makita

⚠️ AVERTIZARE: Dacă achiziționați o lamă de ghidare de lungime diferită față de lama de ghidare standard, achiziționați și o apărătoare corespunzătoare pentru aceasta. Aceasta trebuie să se potrivească și să acopere complet lama de ghidare de pe ferăstrăul cu lanț.

NOTĂ: Unele articole din listă pot fi incluse ca accesorii standard în ambalajul de scule. Acestea pot diferi în funcție de țară.

TECHNISCHE DATEN

Modell:		DUC204	DUC254	DUC254C
Gesamtlänge (ohne Schwert)		256 mm		
Nennspannung		18 V Gleichstrom		
Nettogewicht		2,8 - 3,3 kg		
Standard-Schwertlänge		200 mm	250 mm	
Empfohlene Schwertlänge	mit 90PX	200 - 250 mm		-
	mit 91PX	-	250 mm	-
	mit 25AP	-		250 mm
Zutreffender Sägekettentyp (siehe die nachstehende Tabelle)		90PX	90PX 91PX	25AP
Standard-Kettenrad	Zähnezahl	6		9
	Teilung	3/8"		1/4"
Kettengeschwindigkeit		0 - 24 m/s (0 - 1.440 m/min)		0 - 22,5 m/s (0 - 1.350 m/min)
Kettenöltank-Inhalt		140 cm ³		

- Wir behalten uns vor, Änderungen der technischen Daten im Zuge der Entwicklung und des technischen Fortschritts ohne vorherige Ankündigung vorzunehmen.
- Die technischen Daten können von Land zu Land unterschiedlich sein.
- Das Gewicht kann abhängig von dem Aufsatz (den Aufsätzen), einschließlich des Akkus, unterschiedlich sein. Die leichteste und die schwerste Kombination, gemäß dem EPTA-Verfahren 01/2014, sind in der Tabelle angegeben.

Zutreffende Akkus

BL1815N / BL1820 / BL1820B / BL1830 / BL1830B / BL1840 / BL1840B / BL1850 / BL1850B / BL1860B

- Einige der oben aufgelisteten Akkus sind je nach Ihrem Wohngebiet eventuell nicht erhältlich.

⚠️ WARNUNG: Verwenden Sie nur die oben aufgeführten Akkus. Bei Verwendung irgendwelcher anderer Akkus besteht Verletzungs- und/oder Brandgefahr.

Sägeketten-, Schwert- und Kettenradkombination

Sägekettentyp		90PX	
Anzahl der Antriebsglieder		33	40
Schwert	Schwertlänge	200 mm	250 mm
	Schnittlänge	180 mm	244 mm
	Teilung	3/8"	
	Treibgliedstärke	1,1 mm	
	Typ	Umlenksternschwert	
Kettenrad	Zähnezahl	6	
	Teilung	3/8"	

Sägekettentyp		91PX	
Anzahl der Antriebsglieder		40	
Schwert	Schwertlänge	250 mm	
	Schnittlänge	244 mm	
	Teilung	3/8"	
	Treibgliedstärke	1,3 mm	
	Typ	Umlenksternschwert	
Kettenrad	Zähnezahl	6	
	Teilung	3/8"	

Sägekettentyp		25AP
Anzahl der Antriebsglieder		60
Schwert	Schwertlänge	250 mm
	Schnittlänge	250 mm
	Teilung	1/4"
	Treibgliedstärke	1,3 mm
	Typ	Carving-Schwert
Kettenrad	Zähnezahl	9
	Teilung	1/4"

ANMERKUNG: Benutzen Sie die Sägekette 25AP mit dem Kettenrad 9 (Sonderzubehör).

⚠️ WARNUNG: Verwenden Sie eine geeignete Kombination von Schwert und Sägekette. Anderenfalls kann es zu Personenschaden kommen.

Symbole

Nachfolgend werden die für das Gerät verwendeten Symbole beschrieben. Machen Sie sich vor der Benutzung mit ihrer Bedeutung vertraut.



Betriebsanleitung lesen.



Schutzbrille tragen.



Einen Gehörschutz tragen.



Helm, Schutzbrille und Gehörschutz tragen.



Angemessenen Schutz für Füße/Beine und Hände/Arme verwenden.



Diese Säge darf nur von fachlich geschulten Personen benutzt werden.



Keiner Feuchtigkeit aussetzen.



Höchstzulässige Schnittlänge



Halten Sie die Kettensäge beim Betrieb immer mit zwei Händen.



Kettenumlaufrichtung



Sägeketten-Öleinstellung



Nur für EU-Länder
Werfen Sie Elektrogeräte oder Akkus nicht in den Hausmüll!
Unter Einhaltung der Europäischen Richtlinie über Elektro- und Elektronik-Altgeräte, Batterien, Akkus sowie verbrauchte Batterien und Akkus und ihre Umsetzung gemäß den Landesgesetzen müssen Elektrogeräte und Batterien bzw. Akkus, die das Ende ihrer Lebensdauer erreicht haben, getrennt gesammelt und einer umweltgerechten Recycling-Einrichtung zugeführt werden.

Vorgesehene Verwendung

Das Werkzeug ist für das Schneiden von Ästen und Stützen von Bäumen vorgesehen. Es eignet sich auch für Baumpflege.

Geräusch

Typischer A-bewerteter Geräuschpegel ermittelt gemäß IEC62841-4-1:

Modell DUC204

Schalldruckpegel (L_{pA}): 92,2 dB (A)
Schallleistungspegel (L_{WA}): 103,2 dB (A)
Messunsicherheit (K): 2,5 dB (A)

Modell DUC254

Schalldruckpegel (L_{pA}): 92,2 dB (A)
Schallleistungspegel (L_{WA}): 103,2 dB (A)
Messunsicherheit (K): 2,5 dB (A)

Modell DUC254C

Schalldruckpegel (L_{pA}): 92,2 dB (A)
Schallleistungspegel (L_{WA}): 103,2 dB (A)
Messunsicherheit (K): 2,5 dB (A)

⚠️ WARNUNG: Einen Gehörschutz tragen.

Schwingungen

Schwingungsgesamtwert (Drei-Achsen-Vektorsumme) ermittelt gemäß IEC62841-4-1:

Modell DUC204

Arbeitsmodus: Schneiden von Holz
Schwingungsemission ($a_{h,w}$): 3,1 m/s²
Messunsicherheit (K): 1,5 m/s²

Modell DUC254

Arbeitsmodus: Schneiden von Holz
Schwingungsemission ($a_{h,w}$): 3,1 m/s²
Messunsicherheit (K): 1,5 m/s²

Modell DUC254C

Arbeitsmodus: Schneiden von Holz
Schwingungsemission ($a_{h,w}$): 4,1 m/s²
Messunsicherheit (K): 1,5 m/s²

HINWEIS: Der angegebene Schwingungsemissionswert wurde im Einklang mit der Standardprüfmethode gemessen und kann für den Vergleich zwischen Werkzeugen herangezogen werden.

HINWEIS: Der angegebene Schwingungsemissionswert kann auch für eine Vorbewertung des Gefährdungsgrads verwendet werden.

⚠️ WARNUNG: Die Schwingungsemission während der tatsächlichen Benutzung des Werkzeugs kann je nach der Benutzungsweise des Werkzeugs vom angegebenen Emissionswert abweichen.

⚠️ WARNUNG: Identifizieren Sie Sicherheitsmaßnahmen zum Schutz des Benutzers anhand einer Schätzung des Gefährdungsgrads unter den tatsächlichen Benutzungsbedingungen (unter Berücksichtigung aller Phasen des Arbeitszyklus, wie z. B. Ausschalt- und Leerlaufzeiten des Werkzeugs zusätzlich zur Betriebszeit).

EG-Konformitätserklärung

Nur für europäische Länder

Die EG-Konformitätserklärung ist als Anhang A in dieser Bedienungsanleitung enthalten.

SICHERHEITSWARNUNGEN

Allgemeine Sicherheitswarnungen für Elektrowerkzeuge

⚠️ WARNUNG: Lesen Sie alle mit diesem Elektrowerkzeug gelieferten Sicherheitswarnungen, Anweisungen, Abbildungen und technischen Daten durch. Eine Missachtung der unten aufgeführten Anweisungen kann zu einem elektrischen Schlag, Brand und/oder schweren Verletzungen führen.

Bewahren Sie alle Warnungen und Anweisungen für spätere Bezugnahme auf.

Der Ausdruck „Elektrowerkzeug“ in den Warnhinweisen bezieht sich auf Ihr mit Netzstrom (mit Kabel) oder Akku (ohne Kabel) betriebenes Elektrowerkzeug.

Sicherheitswarnungen für Akku-Kettensäge

1. **Halten Sie alle Körperteile während des Betriebs der Kettensäge von der Sägekette fern. Vergewissern Sie sich vor dem Einschalten der Kettensäge, dass die Sägekette nicht mit irgendeinem Gegenstand in Berührung ist.** Ein Augenblick der Unaufmerksamkeit während des Betriebs von Kettensägen kann dazu führen, dass Ihre Kleidung oder Körperteile von der Sägekette erfasst werden.
2. **Halten Sie die Kettensäge stets mit Ihrer rechten Hand am oberen Handgriff und mit Ihrer linken Hand am vorderen Handgriff.** Das Halten der Kettensäge mit vertauschter Handhaltung führt zu erhöhter Verletzungsgefahr und ist daher unbedingt zu vermeiden.

3. **Das Elektrowerkzeug darf nur an den isolierten Griffflächen gehalten werden, weil die Sägekette verdeckte Leitungen berühren kann.** Bei Kontakt mit einem Strom führenden Kabel können die freiliegenden Metallteile des Elektrowerkzeugs ebenfalls Strom führend werden, so dass der Benutzer einen elektrischen Schlag erleiden kann.
4. **Tragen Sie eine Schutzbrille und einen Gehörschutz.** Zusätzliche Schutzausrüstung für Kopf, Hände, Beine und Füße wird empfohlen. Geeignete Schutzkleidung reduziert die Verletzungsgefahr durch fliegende Trümmer oder versehentlichen Kontakt mit der Sägekette.
5. **Achten Sie stets auf sicheren Stand.**
6. **Wenn Sie einen unter Spannung stehenden Ast abschneiden, achten Sie auf Zurückschnellen.** Wenn sich die Spannung in den Holzfasern entlädt, kann der unter Spannung stehende Ast die Bedienungsperson treffen und/oder die Kettensäge außer Kontrolle bringen.
7. **Lassen Sie beim Schneiden von Gestrüpp und jungen Bäumen äußerste Vorsicht walten.** Die dünnen Äste können an der Sägekette hängen bleiben und gegen Sie geschleudert werden oder Sie aus dem Gleichgewicht bringen.
8. **Tragen Sie die Kettensäge nach dem Ausschalten mit Abstand zu Ihrem Körper am vorderen Handgriff. Bringen Sie zum Transportieren oder Lagern der Kettensäge stets die Schwertschutzhülle an.** Sachgemäße Handhabung der Kettensäge reduziert die Wahrscheinlichkeit einer versehentlichen Berührung der umlaufenden Sägekette.
9. **Befolgen Sie die Anweisungen für die Schmierung, die Kettenspannung und den Austausch von Zubehör.** Eine unsachgemäß gespannte oder geschmierte Kette kann entweder reißen oder die Gefahr von Rückschlägen erhöhen.
10. **Halten Sie die Handgriffe trocken, sauber und frei von Öl und Fett.** Fett- und överschmierte Handgriffe sind schlüpfrig und verursachen den Verlust der Kontrolle.
11. **Schneiden Sie nur Holz. Verwenden Sie die Kettensäge nicht für sachfremde Zwecke.** Zum Beispiel: Verwenden Sie die Kettensäge nicht zum Schneiden von Kunststoff, Mauerwerk oder Nicht-Holz-Baumaterial. Der Gebrauch der Kettensäge für sachfremde Zwecke kann zu einer Gefahrsituation führen.
12. **Ursachen und Verhütung von Rückschlägen:** Rückschläge können auftreten, wenn die Nase oder Spitze des Schwerts ein Objekt berührt, oder wenn sich das Holz schließt und die Sägekette im Schnitt einklemmt. Spitzenkontakt kann in manchen Fällen eine plötzliche Gegenreaktion verursachen, so dass das Schwert nach oben oder hinten zur Bedienungsperson geschleudert wird. Durch Einklemmen der Sägekette entlang dem oberen Lauf des Schwerts kann das Schwert zur Bedienungsperson zurückgeschleudert werden. Jede dieser Reaktionen kann zu einem Verlust der Kontrolle über die Säge und daraus resultierenden schweren Verletzungen führen. Verlassen Sie sich nicht ausschließlich auf die in Ihre Säge eingebauten Sicherheitsvorrichtungen. Als Kettensägenbenutzer sollten Sie bestimmte Maßnahmen ergreifen, um Ihre Sägearbeiten unfall- und verletzungsfrei zu halten.

Rückschlag ist das Resultat falscher Handhabung des Werkzeugs und/oder falscher Arbeitsverfahren oder -bedingungen und kann durch Anwendung der nachstehenden Vorsichtsmaßnahmen vermieden werden:

- Halten Sie die Kettensäge beidhändig mit festem Griff, wobei Ihre Daumen und Finger die Handgriffe umschließen, und positionieren Sie Körper und Arme so, dass Sie Rückschlagkräfte auffangen können. Rückschlagkräfte können durch Treffen geeigneter Vorsichtsmaßnahmen von der Bedienungsperson kontrolliert werden. Lassen Sie die Kettensäge nicht los.

► Abb.1

- Übernehmen Sie sich nicht, und schneiden Sie nicht oberhalb der Schulterhöhe. Dies trägt zur Verhütung unbeabsichtigten Spitzenkontakts bei und ermöglicht bessere Kontrolle der Kettensäge in unerwarteten Situationen.
 - Verwenden Sie nur vom Hersteller empfohlene Schwerter und Ketten. Ungeeignete Schwerter und Ketten können Kettenbruch und/oder Rückschlag verursachen.
 - Befolgen Sie die Herstelleranweisungen zum Schärfen und Warten der Sägekette. Eine Verringerung der Tiefenbegrenzerhöhe kann zu vermehrten Rückschlägen führen.
13. **Stellen Sie vor Arbeitsbeginn sicher, dass die Kettensäge in einwandfreiem Betriebszustand ist, und dass ihr Zustand den Sicherheitsvorschriften entspricht. Prüfen Sie insbesondere, dass:**
- die Kettenbremse einwandfrei funktioniert;
 - die Auslaufbremse einwandfrei funktioniert;
 - Schwert und Kettenraddeckel korrekt angebracht sind;
 - die Kette vorschriftsmäßig geschärft und gespannt worden ist.
14. **Schalten Sie die Kettensäge nicht mit noch angebrachtem Kettenschutz ein.** Wird die Kettensäge mit noch angebrachtem Kettenschutz eingeschaltet, kann der Kettenschutz nach vorn herausgeschleudert werden, was zu Personenschäden und Beschädigung von Gegenständen im Umfeld des Bedieners führen kann.

Spezielle Sicherheitshinweise für Kettensäge mit oberem Handgriff

1. **Diese Kettensäge ist speziell für Baumpflege und Baumchirurgie vorgesehen. Die Kettensäge darf nur von fachlich geschulten Personen benutzt werden. Befolgen Sie alle Anweisungen, Verfahrensweisen und Empfehlungen der relevanten Berufsgenossenschaft. Anderenfalls können tödliche Unfälle auftreten. Zum Sägen in Bäumen wird stets die Verwendung einer Hebebühne (Hubkorb, Lift) empfohlen. Abseiltechniken sind äußerst gefährlich und erfordern eine spezielle Ausbildung. Die Bedienungspersonen müssen im Gebrauch von Sicherheitsausrüstung und Klettertechniken geschult werden. Beim Arbeiten in Bäumen müssen stets geeignete Gurte, Seile und Karabiner verwendet werden. Benutzen Sie stets Rückhaltevorrichtungen für Bedienungsperson und Säge.**

2. **Führen Sie Reinigung und Wartung vor der Lagerung gemäß der Bedienungsanleitung durch.**
3. **Achten Sie beim Kfz-Transport auf sichere Lage der Kettensäge, um Auslaufen von Kraftstoff oder Kettenöl, Beschädigung des Werkzeugs und Personenschaden zu vermeiden.**
4. **Überprüfen Sie die Funktionsfähigkeit der Kettenbremse regelmäßig.**
5. **Füllen Sie Kettenöl nicht in der Nähe von Feuer ein. Rauchen Sie auf keinen Fall beim Einfüllen von Kettenöl.**
6. **Der Gebrauch der Kettensäge kann durch Vorschriften des jeweiligen Landes eingeschränkt sein.**
7. **Falls das Gerät einen schweren Aufprall oder Sturz erleidet, überprüfen Sie seinen Zustand, bevor Sie die Arbeit fortsetzen. Überprüfen Sie die Bedienelemente und Sicherheitsvorrichtungen auf Fehlfunktionen. Falls Sie einen Schaden feststellen oder Zweifel haben, wenden Sie sich bezüglich einer Inspektion und Reparatur an unser autorisiertes Service-Center.**
8. **Aktivieren Sie stets die Kettenbremse, bevor Sie die Kettensäge starten.**
9. **Halten Sie die Säge sicher in Position, um Abgleiten (Rutschbewegung) oder Springen der Säge am Anfang eines Schnitts zu vermeiden.**
10. **Achten Sie am Ende des Schnitts darauf, dass Sie wegen des „Abfalls“ nicht die Balance verlieren.**
11. **Windrichtung und -geschwindigkeit müssen ebenfalls berücksichtigt werden. Vermeiden Sie Sägemehl und Kettenölnebel.**

Schutzausrüstung

1. **Um Verletzungen von Kopf, Augen, Händen oder Füßen sowie Gehörschäden zu vermeiden, müssen die folgenden Schutzvorrichtungen während der Arbeit mit der Kettensäge verwendet werden:**
 - Die Kleidung soll zweckmäßig, d. h. eng anliegend, aber nicht hinderlich sein. Tragen Sie keine Schmuckgegenstände oder Kleidung, die sich an Buschwerk oder Ästen verfangen können. Wenn Sie langes Haar haben, sollten Sie unbedingt ein Haarnetz tragen!
 - Bei allen Arbeiten mit der Kettensäge ist das Tragen eines Schutzhelms notwendig. Der **Schutzhelm** muss in regelmäßigen Abständen auf Beschädigung hin überprüft und spätestens nach 5 Jahren ausgewechselt werden. Verwenden Sie nur geprüfte Schutzhelme.
 - Der **Gesichtsschutz** des Schutzhelms (oder eine Schutzbrille) schützt vor Sägemehl und Holzsplittern. Tragen Sie beim Arbeiten mit der Kettensäge stets eine Schutzbrille oder einen Gesichtsschutz, um Augenverletzungen zu verhüten.
 - Tragen Sie geeignete **Schallschutzausrüstung** (Kapselgehörschützer, Ohrstöpsel usw.).

- Die **Schutzjacke** besteht aus 22 Nylongewebelagen und schützt die Bedienungsperson vor Schnitten. Sie ist bei Arbeiten auf Hochbühnen (Hubkorb, Lift), leitermontierten Plattformen oder beim Klettern mit Seilen stets zu tragen.
- **Schutzgurt und Latzhose** bestehen aus 22 Nylongewebelagen und schützen vor Schnitten. Ihre Verwendung wird dringend empfohlen.
- **Schutzhandschuhe** aus dickem Leder gehören zur vorschriftsmäßigen Ausrüstung und sind beim Arbeiten mit der Kettensäge immer zu tragen.
- **Sicherheitsschuhe** oder **Sicherheitsstiefel** mit rutschfester Sohle, Stahlkappen und Beinschutz sind beim Arbeiten mit der Kettensäge stets zu tragen. Mit einer Schutzeinlage versehene Sicherheitsschuhe bieten Schutz gegen Schnitte und gewährleisten einen sicheren Stand. Bei Arbeiten in Bäumen müssen die Sicherheitsstiefel für Klettertechniken geeignet sein.

Vibrationen

1. Personen mit Kreislaufstörungen, die starken Vibrationen ausgesetzt werden, können Schädigungen der Blutgefäße oder des Nervensystems erleiden. Folgende Symptome können durch Schwingungen an Fingern, Händen oder Handgelenken auftreten: „Einschlafen“ (Taubheit) von Körperteilen, Kribbeln, Schmerz, Stechen, Veränderung von Hautfarbe oder Haut. **Falls eines dieser Symptome auftritt, suchen Sie einen Arzt auf!** Um das Risiko der „Weißfingerkrankheit“ zu verringern, halten Sie Ihre Hände während der Arbeit warm, und warten und pflegen Sie Gerät und Zubehörteile gut.

DIESE ANWEISUNGEN AUFBEWAHREN.

⚠️ WARNUNG: Lassen Sie sich **NICHT** durch Bequemlichkeit oder Vertrautheit mit dem Produkt (durch wiederholten Gebrauch erworben) von der strikten Einhaltung der Sicherheitsregeln für das vorliegende Produkt abhalten. **MISSBRAUCH** oder Missachtung der Sicherheitsvorschriften in dieser Anleitung können schwere Verletzungen verursachen.

Wichtige Sicherheitsanweisungen für Akku

1. **Lesen Sie vor der Benutzung des Akkus alle Anweisungen und Warnhinweise, die an (1) Ladegerät, (2) Akku und (3) Akkuwerkzeug angebracht sind.**
2. **Unterlassen Sie ein Zerlegen des Akkus.**
3. **Falls die Betriebszeit beträchtlich kürzer geworden ist, stellen Sie den Betrieb sofort ein. Andernfalls besteht die Gefahr von Überhitzung, möglichen Verbrennungen und sogar einer Explosion.**

4. **Falls Elektrolyt in Ihre Augen gelangt, waschen Sie sie mit sauberem Wasser aus, und begeben Sie sich unverzüglich in ärztliche Behandlung. Andernfalls können Sie Ihre Sehkraft verlieren.**
 5. **Der Akku darf nicht kurzgeschlossen werden:**
 - (1) **Die Kontakte dürfen nicht mit leitfähigem Material berührt werden.**
 - (2) **Lagern Sie den Akku nicht in einem Behälter zusammen mit anderen Metallgegenständen, wie z. B. Nägel, Münzen usw.**
 - (3) **Setzen Sie den Akku weder Wasser noch Regen aus.**
- Ein Kurzschluss des Akkus verursacht starken Stromfluss, der Überhitzung, mögliche Verbrennungen und einen Defekt zur Folge haben kann.**
6. **Lagern Sie das Werkzeug und den Akku nicht an Orten, an denen die Temperatur 50 °C erreichen oder überschreiten kann.**
 7. **Versuchen Sie niemals, den Akku zu verbrennen, selbst wenn er stark beschädigt oder vollkommen verbraucht ist. Der Akku kann im Feuer explodieren.**
 8. **Achten Sie darauf, dass der Akku nicht fallen gelassen oder Stößen ausgesetzt wird.**
 9. **Benutzen Sie keine beschädigten Akkus.**
 10. **Die enthaltenen Lithium-Ionen-Akkus unterliegen den Anforderungen der Gefahrengut-Gesetzgebung.**

Für kommerzielle Transporte, z. B. durch Dritte oder Spediteure, müssen besondere Anforderungen zu Verpackung und Etikettierung beachtet werden.

Zur Vorbereitung des zu transportierenden Artikels ist eine Beratung durch einen Experten für Gefahrengut erforderlich. Bitte beachten Sie möglicherweise ausführlichere nationale Vorschriften. Überkleben oder verdecken Sie offene Kontakte, und verpacken Sie den Akku so, dass er sich in der Verpackung nicht umher bewegen kann.

11. **Befolgen Sie die örtlichen Bestimmungen bezüglich der Entsorgung von Akkus.**
12. **Verwenden Sie die Akkus nur mit den von Makita angegebenen Produkten.** Das Einsetzen der Akkus in nicht konforme Produkte kann zu einem Brand, übermäßiger Hitzebildung, einer Explosion oder Auslaufen von Elektrolyt führen.

DIESE ANWEISUNGEN AUFBEWAHREN.

⚠️ VORSICHT: Verwenden Sie nur **Original-Makita-Akkus**. Die Verwendung von Nicht-Original-Makita-Akkus oder von Akkus, die abgeändert worden sind, kann zum Bersten des Akkus und daraus resultierenden Bränden, Personenschäden und Beschädigung führen. Außerdem wird dadurch die Makita-Garantie für das Makita-Werkzeug und -Ladegerät ungültig.

Hinweise zur Aufrechterhaltung der maximalen Akku-Nutzungsdauer

1. Laden Sie den Akku, bevor er vollkommen erschöpft ist. Schalten Sie das Werkzeug stets aus, und laden Sie den Akku, wenn Sie ein Nachlassen der Werkzeugeistung feststellen.
2. Unterlassen Sie erneutes Laden eines voll aufgeladenen Akkus. Überladen führt zu einer Verkürzung der Nutzungsdauer des Akkus.
3. Laden Sie den Akku bei Raumtemperatur zwischen 10 – 40 °C. Lassen Sie einen heißen Akku abkühlen, bevor Sie ihn laden.
4. Der Akku muss geladen werden, wenn er lange Zeit (länger als sechs Monate) nicht benutzt wird.

BEZEICHNUNG DER TEILE

► Abb.2

1	Auslöseschalter	2	Oberer Handgriff	3	Einschaltsperrhebel
4	Vorderer Handschutz	5	Schwert	6	Sägekette
7	Kettenfänger	8	Sicherungsmutter	9	Ketten-Einstellschraube
10	Späneführung	11	Akku	12	Hauptbetriebslampe
13	Hauptbetriebsschalter	14	Einstellschraube (für Ölpumpe)	15	Karabiner
16	Vorderer Handgriff	17	Öltankverschluss	18	Schwertschutzhülle

FUNKTIONSBESCHREIBUNG

⚠ VORSICHT: Vergewissern Sie sich vor der Durchführung von Einstellungen oder Funktionsprüfungen des Werkzeugs stets, dass das Werkzeug ausgeschaltet und der Akku abgenommen ist.

Anbringen und Abnehmen des Akkus

⚠ VORSICHT: Schalten Sie das Werkzeug stets aus, bevor Sie den Akku anbringen oder abnehmen.

⚠ VORSICHT: Halten Sie das Werkzeug und den Akku beim Anbringen oder Abnehmen des Akkus sicher fest. Wenn Sie das Werkzeug und den Akku nicht sicher festhalten, können sie Ihnen aus der Hand rutschen, was zu einer Beschädigung des Werkzeugs und des Akkus und zu Körperverletzungen führen kann.

► Abb.3: 1. Rote Anzeige 2. Knopf 3. Akku

Ziehen Sie den Akku zum Abnehmen vom Werkzeug ab, während Sie den Knopf an der Vorderseite des Akkus verschieben.

Richten Sie zum Anbringen des Akkus dessen Führungsfeder auf die Nut im Gehäuse aus, und schieben Sie den Akku hinein. Schieben Sie ihn vollständig ein, bis er mit einem hörbaren Klicken einrastet. Falls die rote Anzeige an der Oberseite des Knopfes sichtbar ist, ist der Akku nicht vollständig verriegelt.

⚠ VORSICHT: Schieben Sie den Akku stets bis zum Anschlag ein, bis die rote Anzeige nicht mehr sichtbar ist. Anderenfalls kann er aus dem Werkzeug herausfallen und Sie oder umstehende Personen verletzen.

⚠ VORSICHT: Unterlassen Sie Gewaltanwendung beim Anbringen des Akkus. Falls der Akku nicht reibungslos hineingleitet, ist er nicht richtig ausgerichtet.

Anzeigen der Akku-Restkapazität

Nur für Akkus mit Anzeige

► Abb.4: 1. Anzeigelampen 2. Prüftaste

Drücken Sie die Prüftaste am Akku, um die Akku-Restkapazität anzuzeigen. Die Anzeigelampen leuchten wenige Sekunden lang auf.

Anzeigelampen			Restkapazität
Erleuchtet	Aus	Blinkend	
■	■	■	75 % bis 100 %
■	■	□	50% bis 75%
■	□	□	25% bis 50%
■	□	□	0% bis 25%
▬	□	□	Den Akku aufladen.
■	□	□	Möglicherweise liegt eine Funktionsstörung im Akku vor.
□	□	■	

HINWEIS: Abhängig von den Benutzungsbedingungen und der Umgebungstemperatur kann die Anzeige geringfügig von der tatsächlichen Kapazität abweichen.

Werkzeug/Akku-Schutzsystem

Das Werkzeug ist mit einem Werkzeug/Akku-Schutzsystem ausgestattet. Dieses System schaltet die Stromversorgung des Motors automatisch ab, um die Lebensdauer von Werkzeug und Akku zu verlängern. Das Werkzeug bleibt während des Betriebs automatisch stehen, wenn das Werkzeug oder der Akku einer der folgenden Bedingungen unterliegt:

Überlastschutz

Wird der Akku auf eine Weise benutzt, die eine ungewöhnlich hohe Stromaufnahme bewirkt, bleibt das Werkzeug automatisch stehen, und die Hauptbetriebslampe blinkt in Grün. Schalten Sie in dieser Situation das Werkzeug aus, und brechen Sie die Arbeit ab, die eine Überlastung des Werkzeugs verursacht hat. Schalten Sie dann das Werkzeug wieder ein, um die Arbeit fortzusetzen.

Überhitzungsschutz

Wenn das Werkzeug oder der Akku überhitzt wird, bleibt das Werkzeug automatisch stehen, und die Hauptbetriebslampe leuchtet in Rot auf. Lassen Sie das Werkzeug und den Akku in diesem Fall abkühlen, bevor Sie das Werkzeug wieder einschalten.

HINWEIS: Bei hohen Umgebungstemperaturen neigt der Überhitzungsschutz zum Aktivieren, so dass das Werkzeug automatisch stehen bleibt.

Überentladungsschutz

Wenn die Akkukapazität nicht ausreicht, bleibt das Werkzeug automatisch stehen, und die Hauptbetriebslampe blinkt in Rot. Nehmen Sie in diesem Fall den Akku vom Werkzeug ab, und laden Sie ihn auf.

Hauptbetriebsschalter

⚠️ WARNUNG: Schalten Sie den Hauptbetriebsschalter stets aus, wenn das Werkzeug nicht benutzt wird.

Um das Werkzeug einzuschalten, drücken Sie den Hauptbetriebsschalter, bis die Hauptbetriebslampe in Grün aufleuchtet. Zum Ausschalten des Werkzeugs drücken Sie den Hauptbetriebsschalter erneut.

- **Abb.5:** 1. Hauptbetriebslampe
2. Hauptbetriebsschalter

HINWEIS: Die Hauptbetriebslampe blinkt in Grün, wenn der Auslöseschalter unter betriebsunfähigen Bedingungen betätigt wird. Die Lampe blinkt unter einer der folgenden Bedingungen.

- Wenn Sie den Hauptbetriebsschalter einschalten, während Sie den Einschaltsperrhebel und den Auslöseschalter gedrückt halten.
- Wenn Sie den Auslöseschalter bei angezogener Kettenbremse betätigen.
- Wenn Sie die Kettenbremse lösen, während Sie den Einschaltsperrhebel gedrückt halten und den Auslöseschalter betätigen.

HINWEIS: Diese Kettensäge verwendet die Abschaltautomatik. Um unbeabsichtigtes Anlaufen zu vermeiden, wird der Hauptbetriebsschalter automatisch abgeschaltet, wenn der Auslöseschalter eine bestimmte Zeitlang nach dem Einschalten des Hauptbetriebsschalters nicht betätigt wird.

Sie können das Werkzeug im Drehmoment-Verstärkungsmodus benutzen, um dicke oder harte Äste zu schneiden. Um das Werkzeug im Drehmoment-Verstärkungsmodus zu benutzen, drücken Sie den Hauptbetriebsschalter bei ausgeschaltetem Werkzeug ein paar Sekunden lang, bis die Hauptbetriebslampe in Gelb aufleuchtet.

HINWEIS: Sie können das Werkzeug bis zu 30 Sekunden lang im Drehmoment-Verstärkungsmodus benutzen. Abhängig von den Benutzungsbedingungen wechselt dieser Modus nach weniger als 30 Sekunden wieder in den Normalmodus.

HINWEIS: Falls die Hauptbetriebslampe in Gelb blinkt, wenn Sie den Hauptbetriebsschalter ein paar Sekunden lang drücken, ist der Drehmoment-Verstärkungsmodus nicht verfügbar. Befolgen Sie in diesem Fall die nachstehenden Schritte.

- Der Drehmoment-Verstärkungsmodus ist unmittelbar nach dem Schneidbetrieb nicht verfügbar. Warten Sie länger als 10 Sekunden, bevor Sie den Hauptbetriebsschalter erneut drücken.
- Falls Sie den Drehmoment-Verstärkungsmodus mehrmals benutzen, wird der Gebrauch des Drehmoment-Verstärkungsmodus zum Schutz des Akkus eingeschränkt. Falls der Drehmoment-Verstärkungsmodus nach einer Wartezeit von mehr als 10 Sekunden nicht verfügbar ist, ersetzen Sie den Akku durch einen voll aufgeladenen, oder laden Sie den Akku auf.

HINWEIS: Falls die Hauptbetriebslampe in Rot aufleuchtet oder in Rot oder Grün blinkt, nehmen Sie auf die Anweisungen für das Werkzeug/Akku-Schutzsystem Bezug.

HINWEIS: Der Drehmoment-Verstärkungsmodus kann nicht benutzt werden, wenn einer der Akkus BL1815N, BL1820 oder BL1820B installiert ist.

Schalterfunktion

⚠️ WARNUNG: Aus Sicherheitsgründen ist dieses Werkzeug mit einem Einschaltsperrhebel ausgestattet, der versehentliches Einschalten des Werkzeugs verhindert. Benutzen Sie das Werkzeug NIEMALS, wenn es durch einfache Betätigung des Auslöseschalters eingeschaltet werden kann, ohne den Einschaltsperrhebel zu drücken. Lassen Sie das Werkzeug von einem unserer autorisierten Service-Center ordnungsgemäß reparieren, BEVOR Sie es weiter benutzen.

⚠️ WARNUNG: Der Einschaltsperrhebel darf NIEMALS festgeklebt oder funktionsunfähig gemacht werden.

⚠ VORSICHT: Vergewissern Sie sich vor dem Einsetzen des Akkus in das Werkzeug stets, dass der Ein-Aus-Schalter ordnungsgemäß funktioniert und beim Loslassen in die AUS-Stellung zurückkehrt.

ANMERKUNG: Betätigen Sie den Ein-Aus-Schalter nicht gewaltsam, ohne den Einschaltsperrhebel zu drücken. Dies kann zu Beschädigung des Schalters führen.

Um versehentliche Betätigung des Auslöseschalters zu verhindern, ist das Werkzeug mit einem Einschaltsperrhebel ausgestattet. Zum Starten des Werkzeugs drücken Sie erst den Einschaltsperrhebel und betätigen dann den Auslöseschalter. Die Drehzahl erhöht sich durch verstärkte Druckausübung auf den Auslöseschalter. Zum Anhalten lassen Sie den Auslöseschalter los.

► **Abb.6:** 1. Auslöseschalter 2. Einschaltsperrhebel

Überprüfen der Kettenbremse

⚠ VORSICHT: Halten Sie die Kettensäge beim Einschalten mit beiden Händen. Halten Sie den oberen Handgriff mit der rechten, und den Frontgriff mit der linken Hand. Dabei dürfen Schwert und Kette mit keinem Gegenstand in Berührung sein.

⚠ VORSICHT: Sollte die Sägekette bei der Durchführung dieser Prüfung nicht sofort anhalten, darf die Säge unter keinen Umständen benutzt werden. Konsultieren Sie unser autorisiertes Service-Center.

1. Drücken Sie den Einschaltsperrhebel, und betätigen Sie dann den Auslöseschalter. Die Sägekette läuft sofort an.

2. Schieben Sie den vorderen Handschutz mit dem Handrücken vorwärts. Vergewissern Sie sich, dass die Kettensäge zum unverzüglichen Stillstand kommt.

► **Abb.7:** 1. Vorderer Handschutz 2. Entriegelte Position 3. Verriegelte Position

Überprüfen der Auslaufbremse

⚠ VORSICHT: Falls die Sägekette bei dieser Prüfung nicht innerhalb von zwei Sekunden stehen bleibt, benutzen Sie die Kettensäge nicht weiter, und konsultieren Sie unser autorisiertes Service-Center.

Lassen Sie die Kettensäge laufen, und geben Sie dann den Auslöseschalter vollkommen frei. Die Sägekette muss innerhalb von zwei Sekunden zum Stillstand kommen.

Einstellen der Kettenschmierung

Die Ölpumpen-Fördermenge kann durch Drehen der Einstellschraube mit dem Universalschlüssel reguliert werden. Die Ölmenge kann in 3 Schritten eingestellt werden.

► **Abb.8:** 1. Einstellschraube

Karabiner (Seilbefestigungspunkt)

Sie können das Werkzeug aufhängen, indem Sie das Seil am Karabiner anbringen. Ziehen Sie den Karabiner hoch, und binden Sie ihn dann mit dem Seil fest.

Elektronikfunktionen

Das Werkzeug ist für komfortablen Betrieb mit Elektronikfunktionen ausgestattet.

- Sanftanlauf
Die Sanftanlauf-Funktion reduziert Anlaufstöße auf ein Minimum und bewirkt ruckfreies Anlaufen des Werkzeugs.

MONTAGE

⚠ VORSICHT: Vergewissern Sie sich vor der Ausführung von Arbeiten am Werkzeug stets, dass das Werkzeug ausgeschaltet und der Akku abgenommen ist.

⚠ VORSICHT: Berühren Sie die Sägekette nicht mit bloßen Händen. Tragen Sie stets Handschuhe bei der Handhabung der Sägekette.

Demontieren oder Montieren der Sägekette

⚠ VORSICHT: Sägekette und Schwert sind unmittelbar nach dem Betrieb noch heiß. Lassen Sie die Teile ausreichend abkühlen, bevor Sie irgendwelche Arbeiten am Werkzeug ausführen.

⚠ VORSICHT: Führen Sie die Montage oder Demontage der Sägekette an einem sauberen Ort aus, der frei von Sägemehl und dergleichen ist.

Zum Abnehmen der Sägekette müssen die folgenden Schritte ausgeführt werden:

1. Lösen Sie die Kettenbremse, indem Sie den vorderen Handschutz ziehen.

2. Lösen Sie die Ketten-Einstellschraube, dann die Sicherungsmutter.

► **Abb.9:** 1. Ketten-Einstellschraube
2. Sicherungsmutter

3. Den Kettenraddeckel entfernen, und dann die Sägekette und das Schwert vom Kettensägen-Hauptteil abnehmen.

Zum Anbringen der Sägekette müssen die folgenden Schritte ausgeführt werden:

1. Überprüfen Sie die Laufrichtung der Sägekette. Passen Sie die Laufrichtung der Sägekette an die Richtung der Markierung am Kettensägengehäuse an.

2. Legen Sie ein Ende der Sägekette auf die Oberseite des Schwerts.

3. Legen Sie das andere Ende der Sägekette um das Kettenrad, und bringen Sie dann das Schwert am Kettensägengehäuse an, wobei Sie das Loch im Schwert auf den Stift am Kettensägengehäuse ausrichten.

► **Abb.10:** 1. Kettenrad 2. Loch

4. Führen Sie den Vorsprung am Kettenraddeckel in das Kettensägegehäuse ein, und schließen Sie dann den Deckel, so dass die Schraube und die Stifte am Kettensägegehäuse auf ihre Gegenstücke am Deckel ausgerichtet sind.

► **Abb.11:** 1. Vorsprung 2. Kettenraddeckel
3. Schraube 4. Stift

5. Ziehen Sie die Sicherungsmutter an, um den Kettenraddeckel zu sichern, und lösen Sie sie dann ein wenig für die Spannungseinstellung.

► **Abb.12:** 1. Sicherungsmutter

Einstellen der Sägekettenspannung

⚠ VORSICHT: Straffen Sie die Sägekette nicht zu sehr. Eine übermäßig hohe Spannung der Sägekette kann zu einem Bruch der Sägekette, Verschleiß des Schwerts und Bruch des Stellrads führen.

⚠ VORSICHT: Eine zu lockere Kette kann vom Schwert springen und stellt somit eine Verletzungsgefahr dar.

Die Sägekette kann sich nach vielen Betriebsstunden lockern. Überprüfen Sie daher die Sägekettenspannung von Zeit zu Zeit vor dem Gebrauch.

1. Lösen Sie die Kettenbremse, indem Sie den vorderen Handschutz ziehen.

2. Lösen Sie die Sicherungsmutter ein wenig, um den Kettenraddeckel geringfügig zu lösen.

► **Abb.13:** 1. Sicherungsmutter

3. Heben Sie die Schwertspitze leicht an, und stellen Sie die Kettenspannung ein. Drehen Sie die Ketten-Einstellschraube zum Anziehen im Uhrzeigersinn, und zum Lösen entgegen dem Uhrzeigersinn.

Für Kettenblatt 90PX und 91PX:

Straffen Sie die Sägekette, bis ihr unterer Abschnitt wie abgebildet in der Schwertschiene ruht.

► **Abb.14:** 1. Schwert 2. Sägekette
3. Ketten-Einstellschraube

Für Kettenblatt 25AP:

Straffen Sie die Sägekette, so dass der Abstand zwischen der Mitte der Unterseite des Schwerts und der Sägekette ca. 1 mm bis 2 mm beträgt.

4. Das Schwert leicht festhalten, und den Kettenraddeckel festziehen.

Für Kettenblatt 90PX und 91PX:

Sicherstellen, dass sich der untere Abschnitt der Sägekette nicht lockert.

Für Kettenblatt 25AP:

Vergewissern Sie sich, dass der Abstand zwischen der Mitte der Unterseite des Schwerts und der Sägekette ca. 1 mm bis 2 mm beträgt.

5. Ziehen Sie die Sicherungsmutter an, um den Kettenraddeckel zu sichern.

► **Abb.15:** 1. Sicherungsmutter

Vergewissern Sie sich, dass die Sägekette fest an der Unterseite des Schwerts anliegt.

Krallenanschlag

Sonderzubehör

Zum Schneiden von dicken Ästen wird der Gebrauch des Krallenanschlags empfohlen. Montieren Sie den Krallenanschlag nach dem folgenden Verfahren:

1. Entfernen Sie Kettenraddeckel, Sägekette und Schwert.

2. Richten Sie die Löcher des Krallenanschlags auf die Löcher im Kettensägegehäuse aus, und ziehen Sie dann die Schrauben fest.

► **Abb.16:** 1. Schraube 2. Krallenanschlag

BETRIEB

Schmierung

Die Sägekette wird während des Betriebs des Werkzeugs automatisch geschmiert. Überprüfen Sie die im Öltank verbleibende Ölmenge durch das Ölstand-Prüffenster.

Zum Auffüllen des Öltanks die Kettensäge auf ihre Seite legen und den Öltankverschluss entfernen. Die korrekte Ölmenge beträgt 140 ml. Vergewissern Sie sich nach dem Auffüllen des Öltanks, dass der Öltankverschluss sicher festgezogen ist.

► **Abb.17:** 1. Öltankverschluss 2. Ölstand-Prüffenster

Halten Sie die Kettensäge nach dem Auffüllen vom Baum abgewandt. Starten Sie die Säge, und warten Sie, bis eine angemessene Schmierung der Sägekette erreicht ist.

► **Abb.18**

ANMERKUNG: Wenn Sie das Kettenöl zum ersten Mal einfüllen oder den völlig leeren Öltank auffüllen, füllen Sie Öl bis zur Unterkante des Einfüllstutzens ein. Anderenfalls kann die Ölzuführung beeinträchtigt werden.

ANMERKUNG: Verwenden Sie exklusives Sägekettenöl für Makita-Kettensägen oder auf dem Markt erhältliches gleichwertiges Öl.

ANMERKUNG: Verwenden Sie keinesfalls Öl, das Staub und Fremdkörper enthält, oder leichtflüchtiges Öl.

ANMERKUNG: Verwenden Sie zum Beschneiden von Bäumen botanisches Öl. Mineralöl kann Bäume schädigen.

ANMERKUNG: Vergewissern Sie sich vor der Schneidarbeit, dass der mitgelieferte Öltankverschluss angebracht ist.

ARBEITEN MIT DER KETTENSÄGE

⚠ VORSICHT: Anfänger sollten, als minimale Übung, Rundholzstämmen auf einem Sägebock oder einem Gestell schneiden.

⚠ VORSICHT: Verwenden Sie beim Sägen von Schnittholz eine sichere Auflage (Sägebock oder Gestell). Halten Sie das Werkstück nicht mit Ihrem Fuß fest, und lassen Sie es auch nicht von einer anderen Person festhalten.

⚠ VORSICHT: Rundhölzer sind gegen Verdrehen im Schnitt zu sichern.

⚠ VORSICHT: Führen Sie die Kettensäge so, dass sich kein Körperteil im verlängerten Schwenkbereich der Sägekette befindet.

⚠ VORSICHT: Bei jeder Arbeit ist die Kettensäge mit beiden Händen festzuhalten, nur so kann sie jederzeit sicher geführt werden.

⚠ VORSICHT: Beugen Sie sich beim Betrieb nicht zu weit vor. Achten Sie bei der Arbeit stets auf sicheren Stand.

ANMERKUNG: Hinwerfen oder Fallenlassen des Werkzeugs sind unbedingt zu vermeiden.

ANMERKUNG: Verdecken Sie nicht die Lüftungsöffnungen des Werkzeugs.

Stutzen von Bäumen

Bringen Sie das Kettensägengehäuse vor dem Einschalten mit dem zu schneidenden Ast in Berührung. Andernfalls kann das Schwert ins Flattern geraten, was zu einer Verletzung der Bedienungsperson führen kann. Sägen Sie das zu schneidende Holz, indem Sie die Kettensäge durch ihr Eigengewicht sinken lassen.

► **Abb.19**

Wenn das Holz nicht in einem Arbeitsgang gesägt werden kann: Üben Sie leichten Druck auf den Handgriff aus, während Sie den Sägebetrieb fortsetzen und die Kettensäge ein wenig zurückziehen.

► **Abb.20**

Um dicke Äste zu schneiden, machen Sie zuerst einen flachen Unterschnitt und dann den Endschnitt von oben.

► **Abb.21**

Falls Sie versuchen, dicke Äste von unten abzuschneiden, kann sich der Ast senken und die Sägekette im Schnitt einklemmen. Falls Sie versuchen, dicke Äste ohne flachen Unterschnitt von oben abzuschneiden, kann der Ast splintern.

► **Abb.22**

Ablängen

1. Setzen Sie das Kettensägengehäuse auf das zu schneidende Holz auf.

► **Abb.23**

2. Sägen Sie mit laufender Sägekette in das Holz, während Sie die Säge mit dem oberen Handgriff anheben und mit dem vorderen Handgriff führen.

3. Setzen Sie den Schnitt fort, indem Sie leichten Druck auf den oberen Handgriff ausüben und die Säge geringfügig zurückziehen.

ANMERKUNG: Wenn Sie mehrere Schnitte ausführen, schalten Sie die Kettensäge zwischen den Schnitten aus.

⚠ VORSICHT: Wird die Oberkante des Schwerts zum Schneiden verwendet, kann die Kettensäge in Ihre Richtung abgelenkt werden, falls die Kette eingeklemmt wird. Schneiden Sie aus diesem Grund mit der Unterseite, so dass die Säge von Ihrem Körper weg abgelenkt wird.

► **Abb.24**

Schneiden Sie unter Spannung stehendes Holz zuerst auf der Druckseite (A) ein. Machen Sie dann den Endschnitt auf der Spannungsseite (B). Dadurch wird Einklemmen des Schwerts verhindert.

► **Abb.25**

Entasten

⚠ VORSICHT: Entasten darf nur von geschulten Personen durchgeführt werden. Es besteht Rückschlaggefahr.

Stützen Sie die Kettensäge beim Entasten nach Möglichkeit am Stamm ab. Schneiden Sie nicht mit der Schwertschulter, weil dabei Rückschlaggefahr besteht. Beachten Sie besonders unter Spannung stehende Äste. Trennen Sie frei hängende Äste nicht von unten durch.

Stellen Sie sich beim Entasten nicht auf den gefällten Stamm.

Tragen des Werkzeugs

Ziehen Sie vor dem Tragen des Werkzeugs immer die Kettenbremse an, und nehmen Sie die Akkus vom Werkzeug ab. Bringen Sie dann die Schwertschutzhülle an. Decken Sie außerdem den Akku mit der Akkuabdeckung ab.

► **Abb.26:** 1. Schwertschutzhülle 2. Akkuabdeckung

WARTUNG

⚠ VORSICHT: Vergewissern Sie sich vor der Durchführung von Inspektions- oder Wartungsarbeiten stets, dass das Werkzeug ausgeschaltet und der Akku abgenommen ist.

⚠ VORSICHT: Tragen Sie beim Ausführen von Überprüfungs- und Instandhaltungsarbeiten unbedingt Arbeitshandschuhe.

ANMERKUNG: Verwenden Sie auf keinen Fall Benzin, Waschbenzin, Verdünnern, Alkohol oder dergleichen. Solche Mittel können Verfärbung, Verformung oder Rissbildung verursachen.

Um die SICHERHEIT und ZUVERLÄSSIGKEIT dieses Produkts zu gewährleisten, sollten Reparaturen und andere Wartungs- oder Einstellarbeiten nur von Makita-Vertragswerkstätten oder Makita-Kundendienstzentren unter ausschließlicher Verwendung von Makita-Originalersatzteilen ausgeführt werden.

Schärfen der Sägekette

Schärfen Sie die Sägekette, wenn:

- beim Schneiden von feuchtem Holz mehliges Sägemehl erzeugt wird;
- die Kette selbst bei Ausübung starken Drucks nur schwach in das Holz eindringt;
- die Schneidzahnkante sichtbar beschädigt ist;
- die Säge im Holz nach links oder rechts zieht. (Der Grund für dieses Verhalten ist ungleichmäßige Schärfung der Sägekette, oder einseitige Beschädigung.)

Schärfen Sie die Sägekette häufig, aber tragen Sie jedes Mal nur wenig Material ab. Zwei bis drei Hiebe mit einer Feile sind gewöhnlich für eine routinemäßige Nachschärfung ausreichend. Wenn die Sägekette mehrmals nachgeschärft worden ist, lassen Sie sie in unserem autorisierten Service-Center schärfen.

Schärfungskriterien:

⚠ WARNUNG: Ein übermäßig großer Abstand zwischen der Schneidzahnkante und dem Tiefenbegrenzer erhöht die Rückschlaggefahr.

- **Abb.27:** 1. Schneidzahnlänge 2. Abstand zwischen Schneidzahnkante und Tiefenbegrenzer 3. Minimale Schneidzahnlänge (3 mm)

- Alle Schneidzahnängen müssen gleich sein. Unterschiedliche Schneidzahnängen verhindern reibungslosen Lauf der Sägekette und können einen Bruch der Sägekette verursachen.
- Schärfen Sie die Kette nicht weiter, wenn eine Schneidzahnlänge von 3 mm oder weniger erreicht ist. Die Kette muss durch eine neue ersetzt werden.
- Die Spandicke wird durch den Abstand zwischen dem Tiefenbegrenzer (runde Nase) und der Schneidzahnkante bestimmt.
- Die besten Schneidergebnisse werden mit folgendem Abstand zwischen Schneidzahnkante und Tiefenbegrenzer erzielt.
 - Kettenblatt 90PX: 0,65 mm
 - Kettenblatt 91PX: 0,65 mm
 - Kettenblatt 25AP: 0,65 mm

► Abb.28

- Der Schärfungswinkel von 30° muss bei allen Schneidgliedern gleich sein. Unterschiedliche Schneidgliedwinkel verursachen rauen und ungleichmäßigen Kettenlauf, beschleunigen den Verschleiß und führen zu Kettenbruch.
- Verwenden Sie eine geeignete Rundfeile, so dass der korrekte Schärfungswinkel zu den Zähnen eingehalten wird.
 - Kettenblatt 90PX: 55°
 - Kettenblatt 91PX: 55°
 - Kettenblatt 25AP: 55°

Feile und Feilenführung

- Verwenden Sie eine spezielle Rundfeile (Sonderzubehör) für Sägeketten zum Schärfen der Kette. Normale Rundfeilen sind ungeeignet.
- Der Durchmesser der Rundfeile für die jeweilige Sägekette ist wie folgt:
 - Kettenblatt 90PX: 4,5 mm
 - Kettenblatt 91PX: 4,0 mm
 - Kettenblatt 25AP: 4,0 mm

- Nur beim Vorwärtshub der Feile sollte Material abgetragen werden. Heben Sie die Feile beim Rückwärtshub vom Schneidglied ab.
- Schärfen Sie das kürzeste Schneidglied zuerst. Die Länge dieses kürzesten Schneidglieds dient dann als Sollmaß für alle übrigen Schneidglieder der Sägekette.
- Führen Sie die Feile, wie in der Abbildung gezeigt.

► **Abb.29:** 1. Feile 2. Sägekette

- Die Feile kann leichter geführt werden, wenn ein Feilenhalter (Sonderzubehör) verwendet wird. Der Feilenhalter weist Markierungen für den korrekten Schärfungswinkel von 30° auf (die Markierungen parallel zur Sägekette ausrichten) und begrenzt die Eindringtiefe (auf 4/5 des Feilendurchmessers).

► **Abb.30:** 1. Feilenhalter

- Überprüfen Sie nach dem Schärfen der Kette die Höhe des Tiefenbegrenzers mithilfe der Kettenmesslehre (Sonderzubehör).

► **Abb.31**

- Entfernen Sie etwaige Rauigkeiten, wie klein auch immer, mit einer speziellen Flachfeile (Sonderzubehör).
- Runden Sie die Vorderkante des Tiefenbegrenzers erneut ab.

Reinigen des Schwerts

Späne und Sägemehl sammeln sich in der Führungsnut des Schwerts an. Der Führungsnut des Schwerts wird dadurch zugesetzt und der Ölfluss wird behindert. Entfernen Sie Späne und Sägemehl jedes Mal, wenn Sie die Sägekette schärfen oder auswechseln.

► **Abb.32**

Reinigen des Kettenraddeckels

Späne und Sägemehl sammeln sich im Kettenraddeckel an. Entfernen Sie den Kettenraddeckel und die Sägekette vom Werkzeug, und beseitigen Sie dann Späne und Sägemehl.

► **Abb.33**

Reinigen der Ölauslassöffnung

Kleine Staubpartikel oder Fremdkörper können sich während des Betriebs in der Ölauslassöffnung ansammeln. Diese können den Ölfluss behindern und unzureichende Schmierung auf der ganzen Sägekette verursachen. Wenn schlechte Ölzufuhr an der Oberseite des Schwerts auftritt, reinigen Sie die Ölauslassöffnung wie folgt.

1. Entfernen Sie den Kettenraddeckel und die Sägekette vom Werkzeug.
 2. Entfernen Sie kleine Staubkörner oder Partikel mit einem Schlitzschraubendreher mit schmalem Schaft oder dergleichen.
- **Abb.34:** 1. Schlitzschraubendreher 2. Ölauslassöffnung

3. Setzen Sie den Akku in das Werkzeug ein. Betätigen Sie den Auslöseschalter, um abgelagerte Staubpartikel oder Fremdkörper durch Ablassen des Kettenöls aus der Ölauslassöffnung auszuschwemmen.
4. Nehmen Sie den Akku vom Werkzeug ab. Montieren Sie den Kettenraddeckel und die Sägekette wieder am Werkzeug.

Auswechseln des Kettenrads

⚠ VORSICHT: Ein verschlissenes Kettenrad beschädigt eine neue Sägekette. Wechseln Sie in diesem Fall das Kettenrad aus.

Bevor Sie eine neue Sägekette anbringen, überprüfen Sie den Zustand des Kettenrads.

► **Abb.35:** 1. Kettenrad 2. Abnutzungsbereiche

Bringen Sie beim Auswechseln des Kettenrads stets einen neuen Sicherungsring an.

► **Abb.36:** 1. Sicherungsring 2. Kettenrad

ANMERKUNG: Vergewissern Sie sich, dass das Kettenrad so montiert wird, wie in der Abbildung gezeigt.

Lagern des Werkzeugs

1. Reinigen Sie das Werkzeug vor der Lagerung. Entfernen Sie etwaige Späne und Sägemehl vom Werkzeug, nachdem Sie den Kettenraddeckel abmontiert haben.
2. Lassen Sie das Werkzeug nach der Reinigung unter Nulllast laufen, um die Sägekette und das Schwert zu schmieren.
3. Schützen Sie das Schwert mit der Schwertschutzhülle.
4. Entleeren Sie den Öltank.

Anweisungen für regelmäßige Wartung

Um eine lange Lebensdauer zu gewährleisten, Schäden zu verhüten und die volle Funktion der Sicherheitseinrichtungen sicherzustellen, müssen die folgenden Wartungsarbeiten regelmäßig durchgeführt werden. Garantieansprüche werden nur dann anerkannt, wenn diese Arbeiten regelmäßig und ordnungsgemäß ausgeführt werden. Eine Vernachlässigung der vorgeschriebenen Wartungsarbeiten kann zu Unfällen führen! Der Benutzer der Kettensäge darf nur Wartungsarbeiten durchführen, die in dieser Bedienungsanleitung beschrieben sind. Darüber hinausgehende Arbeiten müssen von unserem autorisierten Service-Center ausgeführt werden.

Prüfpunkt/Betriebszeit		Vor dem Betrieb	Täglich	Wöchentlich	Alle 3 Monate	Jährlich	Vor der Lagerung
Kettensäge	Überprüfung.	✓	-	-	-	-	-
	Reinigung.	-	✓	-	-	-	-
	Von autorisiertem Service-Center prüfen lassen.	-	-	-	-	✓	✓
Sägekette	Überprüfung.	✓	-	-	-	-	-
	Nötigenfalls schärfen.	-	-	-	-	-	✓
Schwert	Überprüfung.	✓	✓	-	-	-	-
	Von der Kettensäge abnehmen.	-	-	-	-	-	✓
Kettenbremse	Funktion überprüfen.	✓	-	-	-	-	-
	Regelmäßig von autorisiertem Service-Center überprüfen lassen.	-	-	-	✓	-	-
Kettenschmierung	Ölfördermenge überprüfen.	✓	-	-	-	-	-
Auslöseschalter	Überprüfung.	✓	-	-	-	-	-
Einschaltperrhebel	Überprüfung.	✓	-	-	-	-	-
Öltankverschluss	Festigkeit überprüfen.	✓	-	-	-	-	-
Kettenfänger	Überprüfung.	-	-	✓	-	-	-
Schrauben und Muttern	Überprüfung.	-	-	✓	-	-	-

FEHLERSUCHE

Bevor Sie den Reparaturdienst anrufen, führen Sie zunächst Ihre eigene Inspektion durch. Falls Sie ein Problem finden, das nicht in der Anleitung erläutert wird, versuchen Sie nicht, das Werkzeug zu zerlegen. Wenden Sie sich stattdessen an autorisierte Makita-Kundendienstzentren, und achten Sie darauf, dass stets Makita-Ersatzteile für Reparaturen verwendet werden.

Störungszustand	Ursache	Abhilfemaßnahme
Die Kettensäge läuft nicht an.	Der Akku ist nicht eingesetzt.	Setzen Sie einen geladenen Akku ein.
	Akkustörung (niedrige Spannung).	Laden Sie die Akkus auf. Falls Laden unwirksam ist, tauschen Sie den Akku aus.
	Hauptbetriebsschalter ist ausgeschaltet.	Die Kettensäge schaltet sich automatisch aus, wenn sie eine bestimmte Zeitlang unbenutzt bleibt. Schalten Sie den Hauptbetriebsschalter wieder ein.
Die Sägekette läuft nicht.	Kettenbremse aktiviert.	Kettenbremse lösen.
Der Motor bleibt nach kurzer Zeit stehen.	Der Ladestand des Akkus ist niedrig.	Laden Sie die Akkus auf. Falls Laden unwirksam ist, tauschen Sie den Akku aus.
Kein Öl auf der Kette.	Der Öltank ist leer.	Öltank füllen.
	Die Ölführungsnut ist verschmutzt.	Nut reinigen.
	Schlechte Ölförderung.	Stellen Sie die Ölfördermenge mit der Einstellschraube ein.
Die Kettensäge erreicht die Maximaldrehzahl nicht.	Der Akku ist falsch eingesetzt.	Setzen Sie die Akkus gemäß der Beschreibung in dieser Anleitung ein.
	Die Akkuleistung lässt nach.	Laden Sie den Akku auf. Falls Laden unwirksam ist, tauschen Sie den Akku aus.
	Das Antriebssystem funktioniert nicht korrekt.	Wenden Sie sich bezüglich einer Reparatur an ein autorisiertes Service-Center in Ihrer Region.
Die Hauptbetriebslampe blinkt in Grün.	Der Auslöseschalter wird unter einer betriebsunfähigen Bedingung betätigt.	Betätigen Sie den Auslöseschalter erst, nachdem Sie den Hauptbetriebsschalter eingeschaltet und die Kettenbremse gelöst haben.
Die Kette bleibt trotz Aktivierung der Kettenbremse nicht stehen: Die Maschine unverzüglich stoppen!	Das Bremsband ist abgenutzt.	Wenden Sie sich bezüglich einer Reparatur an ein autorisiertes Service-Center in Ihrer Region.
Ungewöhnliche Vibration: Die Maschine unverzüglich stoppen!	Schwert oder Sägekette ist locker.	Schwert und Sägekettenspannung einstellen.
	Fehlfunktion des Werkzeugs.	Wenden Sie sich bezüglich einer Reparatur an ein autorisiertes Service-Center in Ihrer Region.
Der Drehmoment-Verstärkungsmodus ist nicht verfügbar, nachdem der Akku durch einen voll aufgeladenen ersetzt worden ist.	Abhängig von den Benutzungsbedingungen ist der Drehmoment-Verstärkungsmodus nach dem Austauschen des Akkus nicht verfügbar.	Benutzen Sie das Werkzeug im Normalmodus, bis der eingesetzte Akku leer wird, und ersetzen Sie dann den Akku durch einen voll aufgeladenen, oder laden Sie den Akku auf.

SONDERZUBEHÖR

⚠ VORSICHT: Die folgenden Zubehörteile oder Vorrichtungen werden für den Einsatz mit dem in dieser Anleitung beschriebenen Makita-Werkzeug empfohlen. Die Verwendung anderer Zubehörteile oder Vorrichtungen kann eine Verletzungsgefahr darstellen. Verwenden Sie Zubehörteile oder Vorrichtungen nur für ihren vorgesehenen Zweck.

Wenn Sie weitere Einzelheiten bezüglich dieser Zubehörteile benötigen, wenden Sie sich bitte an Ihre Makita-Kundendienststelle.

- Sägekette
- Schwert
- Schwertschutzhülle

- Kettenrad
- Krallenanschlag
- Feile
- Werkzeugtasche
- Original-Makita-Akku und -Ladegerät

⚠ WARNUNG: Wenn Sie ein Schwert kaufen, dessen Länge von der des Standardschwerts abweicht, kaufen Sie gleichzeitig auch eine passende Schwertschutzhülle. Die Schwertschutzhülle muss passen und das Schwert an der Kettensäge vollständig abdecken.

HINWEIS: Manche Teile in der Liste können als Standardzubehör im Werkzeugsatz enthalten sein. Sie können von Land zu Land unterschiedlich sein.

Makita Europe N.V. Jan-Baptist Vinkstraat 2,
3070 Kortenberg, Belgium

Makita Corporation 3-11-8, Sumiyoshi-cho,
Anjo, Aichi 446-8502 Japan

www.makita.com

885630-979 EN, PL, HU, SK, CS, UK, RO, DE 20180315
